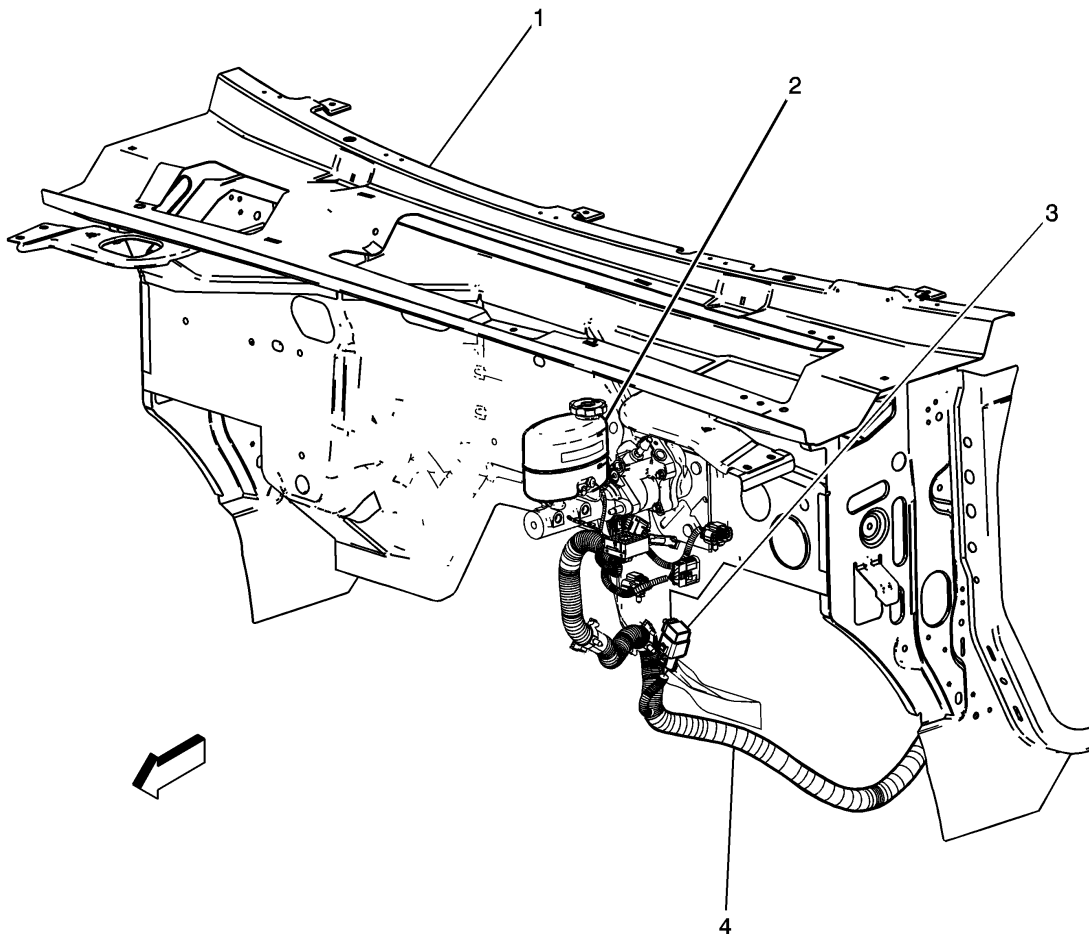


<- Back

Forward ->

Document ID# 1394166
2005 HUMMER H2

Print

FIGURE LR of Engine Compartment(c)

- (1) Dash-Upper Plenum
- (2) Master Cylinder
- (3) Electronically Controlled Air Suspension Relay
- (4) Chassis Harness

<- Back

Forward ->

Document ID# 1394166
2005 HUMMER H2

Print