

<- Back

Forward ->

Document ID# 1407434
2005 HUMMER H2

Print

Suspension Controls Connector End Views

Table 1: [Air Suspension Compressor \(Early Production SUV\)](#)

Table 2: [Air Suspension Compressor - 1 \(Except Early Production SUV\)](#)

Table 3: [Air Suspension Compressor - 2 \(Except Early Production SUV\)](#)

Table 4: [Air Suspension Exhaust Valve](#)

Table 5: [Air Suspension Inflator Switch](#)

Table 6: [Air Suspension Inlet Valve - LR/RR](#)

Table 7: [Air Suspension Module](#)

Table 8: [Air Suspension Pressure Sensor](#)

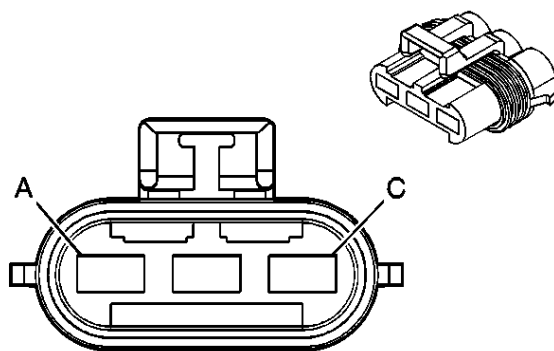
Table 9: [Air Suspension Sensor - LR](#)

Table 10: [Air Suspension Sensor - RR](#)

Table 11: [Electronically Controlled Air Suspension Compressor Relay](#)

Table 12: [Air Suspension Ride Height Switch](#)

Air Suspension Compressor (Early Production SUV)

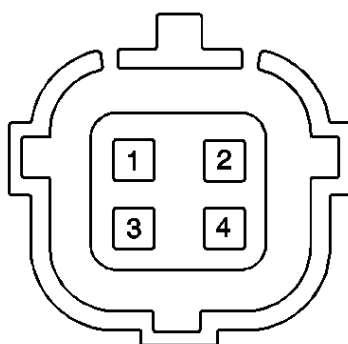


Connector Part Information

- **12124685**
- **3-Way F Metri-Pack 680 Series Sealed (BK)**

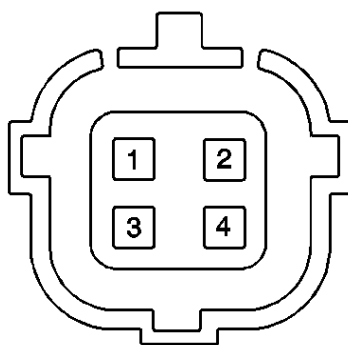
| Pin | Wire Color | Circuit No. | Function |
|-----|------------|-------------|-------------------------------------|
| A | RD | 1A | Compressor Battery Positive Voltage |
| B | BK | 2A | Ground |
| C | YE | 3L | Over Temperature Signal |

Air Suspension Compressor - 1 (Except Early Production SUV)


Connector Part Information

- **344080-1**
- **4-Way F Econoseal 3 High Current(BK)**

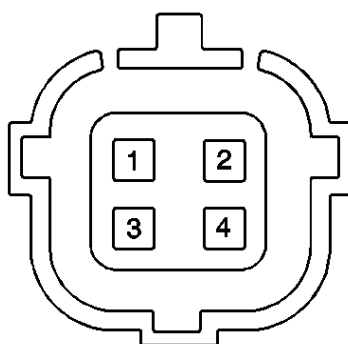
| Pin | Wire Color | Circuit No. | Function |
|-----|------------|-------------|--------------------------|
| 1 | -- | -- | Not Used |
| 2 | YE | 3L | Over Temperature Signal |
| 3 | BK | 2F | Ground |
| 4 | RD | 1C | Battery Positive Voltage |

Air Suspension Compressor - 2 (Except Early Production SUV)

Connector Part Information

- **344080-1**
- **4-Way F Econoseal 3 High Current(BK)**

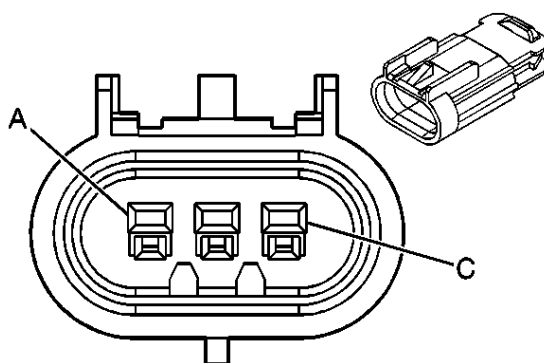
| Pin | Wire Color | Circuit No. | Function |
|-----|------------|-------------|--------------------------|
| 1 | -- | -- | Not Used |
| 2 | YE | 3W | Over Temperature Signal |
| 3 | BK | 2G | Ground |
| 4 | RD | 1D | Battery Positive Voltage |

Air Suspension Exhaust Valve


Connector Part Information

- **344270-3**
- **4-Way F AMP 070 Series Sealed (BU)**

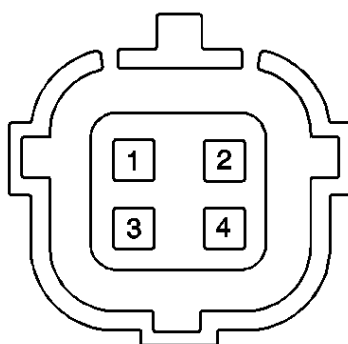
| Pin | Wire Color | Circuit No. | Function |
|-----|------------|-------------|--------------------------------------|
| 1 | -- | -- | Not Used |
| 2 | YE | 3P | Air Suspension Exhaust Valve Control |
| 3 | YE | 3U | Ground |
| 4 | -- | -- | Not Used |

Air Suspension Inflator Switch

Connector Part Information

- **15326813**
- **3-Way M 150 Series Sealed (BK)**

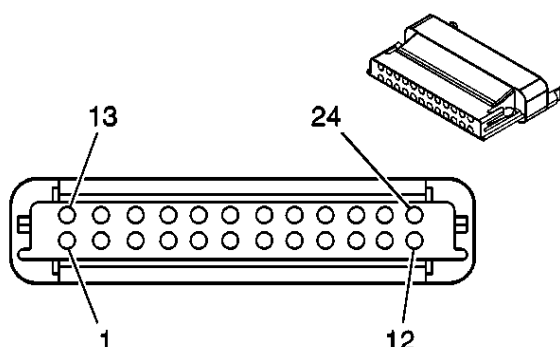
| Pin | Wire Color | Circuit No. | Function |
|-----|------------|-------------|-----------------------------------|
| A | PU | 5523 | Inflator Switch Signal |
| B | L-GN | 5522 | Inflator Switch Low Reference |
| C | OR | 5524 | Inflator Switch Indicator Control |

Air Suspension Inlet Valve - LR/RR



| Connector Part Information | | <ul style="list-style-type: none"> • 344270-1 • 4-Way F AMP 070 Series Sealed (BK) | |
|----------------------------|------------|--|--------------------------|
| Pin | Wire Color | Circuit No. | Function |
| 1 | YE | 3S | Ground |
| 2 | YE | 3N | Inlet Valve - LR Control |
| 3 | YE | 3T | Ground |
| 4 | YE | 3O | Inlet Valve - RR Control |

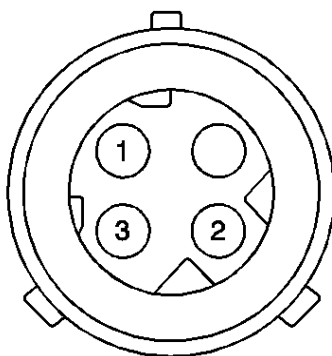
Air Suspension Module



| Connector Part Information | | <ul style="list-style-type: none"> • 12129225 • 24-Way F Micro-Pack 100 Series (GY) | |
|----------------------------|------------|---|---------------------------------------|
| Pin | Wire Color | Circuit No. | Function |
| 1 | YE | 3P | Air Suspension Exhaust Valve Control |
| 2 | YE | 3O | Air Suspension Inlet Valve-RR Control |
| 3 | YE | 3A | 5-Volt Reference |
| 4 | YE | 3C | Air Suspension Sensor Signal - RR |
| 5 | YE | 3B | Air Suspension Sensor Signal - LR |

| | | | |
|----|----|----|---------------------------------------|
| 6 | YE | 3G | Ride Height Switch Signal |
| 7 | YE | 2D | Low Reference |
| 8 | YE | 2B | Ground |
| 9 | -- | -- | Not Used |
| 10 | YE | 3J | Class 2 Serial Data |
| 11 | YE | 3K | Air Suspension Pressure Sensor Signal |
| 12 | YE | 1B | Battery Positive Voltage |
| 13 | YE | 3M | Air Suspension Relay Control |
| 14 | YE | 3N | Air Suspension Inlet Valve-LR Control |
| 15 | YE | 3E | Ride Height Active Indicator Control |
| 16 | YE | 3D | Inflator Switch Indicator Control |
| 17 | YE | 3H | Inflator Switch Signal |
| 18 | YE | 3L | Overtemperature Signal |
| 19 | YE | 2E | Low Reference |
| 20 | YE | 2C | Inflator Switch Low Reference |
| 21 | YE | 3F | Ignition 3 Voltage |
| 22 | -- | -- | Not Used |
| 23 | YE | 3R | Ground |
| 24 | -- | -- | Not Used |

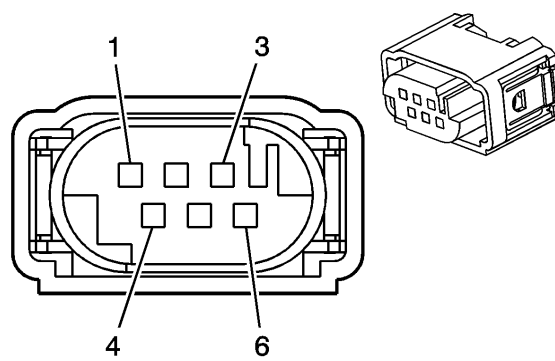
Air Suspension Pressure Sensor



Connector Part Information

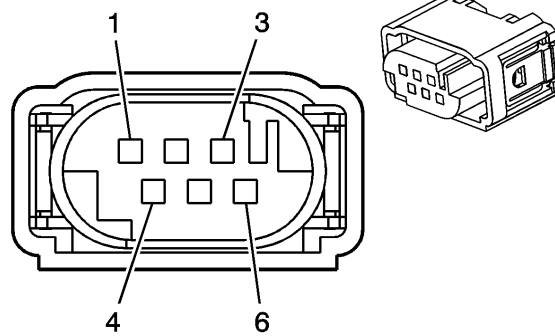
- 9800426
- 4-Way F Schlemmer DIN Sealed (GN)

| Pin | Wire Color | Circuit No. | Function |
|-----|------------|-------------|---------------------------------------|
| 1 | YE | 3A | 5-Volt Reference |
| 2 | YE | 2E | Low Reference |
| 3 | YE | 3K | Air Suspension Pressure Sensor Signal |
| 4 | -- | -- | Not Used |

Air Suspension Sensor - LR**Connector Part Information**

- 15355474
- 6-Way F MQS Sealed (BK)

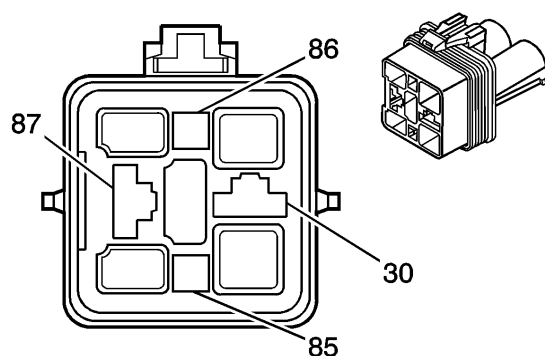
| Pin | Wire Color | Circuit No. | Function |
|-----|------------|-------------|-----------------------------------|
| 1 | GY | 2165 | 5-Volt Reference |
| 2 | BN | 2184 | Air Suspension Sensor Signal - LR |
| 3 | PU | 2185 | Low Reference |
| 4-6 | -- | -- | Not Used |

Air Suspension Sensor - RR**Connector Part Information**

- 15355474
- 6-Way F MQS Sealed (BK)

| Pin | Wire Color | Circuit No. | Function |
|-----|------------|-------------|-----------------------------------|
| 1 | PU | 2185 | Low Reference |
| 2 | BN | 2227 | Air Suspension Sensor Signal - RR |
| 3 | GY | 2165 | 5-Volt Reference |
| 4-6 | -- | -- | Not Used |

Electronically Controlled Air Suspension Compressor Relay

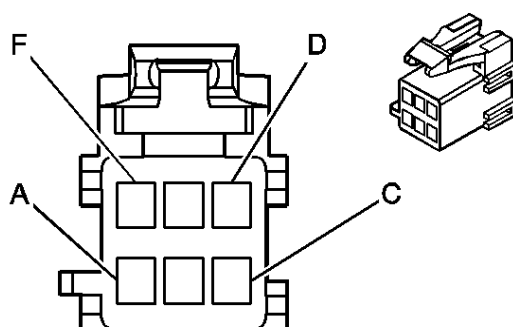


Connector Part Information

- **15336745**
- **4-Way F GR 280 Series Metri-Pack 800 Sealed (GY)**

| Pin | Wire Color | Circuit No. | Function |
|-----|------------|-------------|---|
| 30 | D-GN | 322 | Air Suspension Compressor Motor Control |
| 85 | GY | 2672 | Air Suspension Relay Control |
| 86 | YE | 321 | Air Suspension Relay Ground |
| 87 | RD | 4042 | Air Suspension Relay Supply Voltage |

Air Suspension Ride Height Switch



Connector Part Information

- **12177194**
- **6-Way F Metri-Pack 150 Series (WH)**

| Pin | Wire Color | Circuit No. | Function |
|-----|------------|-------------|--------------------------------------|
| A | L-BU | 5521 | Ride Height Switch Signal |
| B | BK | 1050 | Ground |
| C | WH | 5520 | Ride Height Active Indicator Control |

| | | | |
|---|-------|------|--|
| D | PU/WH | 1382 | LED Dimming Signal |
| E | BN/WH | 230 | Instrument Panel Lamps Dimming Control |
| F | BN | 241 | Ignition 3 Voltage |

[<- Back](#)[Forward ->](#)

Document ID# 1407434
2005 HUMMER H2

[Print](#)