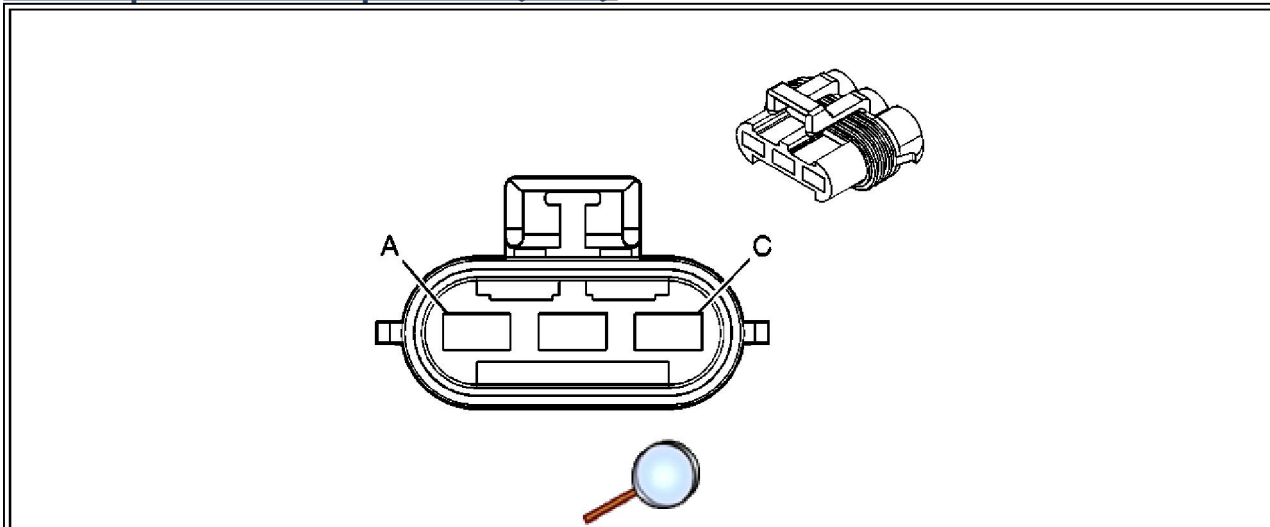


## Suspension Controls Connector End Views

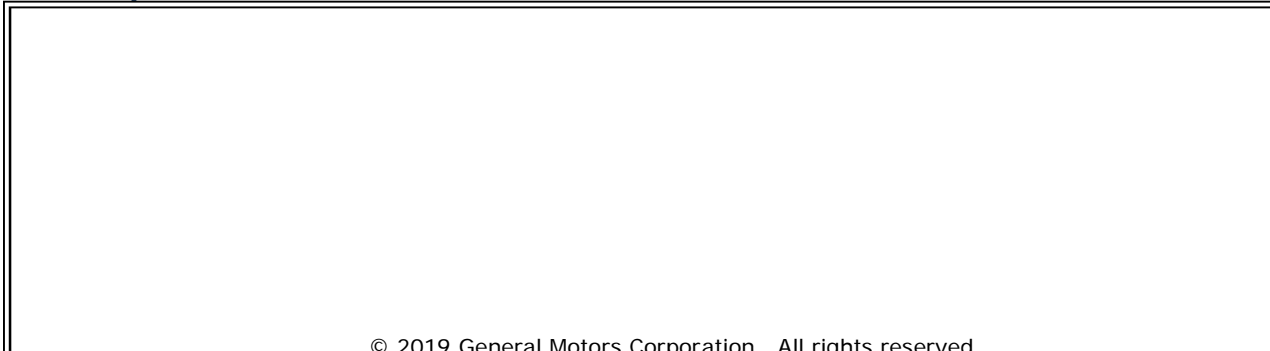
- Table 1: [Air Suspension Compressor \(ZM6\)](#)
- Table 2: [Air Suspension Exhaust Valve \(ZM6\)](#)
- Table 3: [Air Suspension Inflator Switch \(ZM6\)](#)
- Table 4: [Air Suspension Inlet Valve-LR/RR \(ZM6\)](#)
- Table 5: [Air Suspension Module \(ZM6\)](#)
- Table 6: [Air Suspension Pressure Sensor \(ZM6\)](#)
- Table 7: [Air Suspension Sensor-LR \(ZM6\)](#)
- Table 8: [Air Suspension Sensor-RR \(ZM6\)](#)
- Table 9: [Electronically Controlled Air Suspension Relay \(ZM6\)](#)
- Table 10: [Ride Height Switch \(ZM6\)](#)

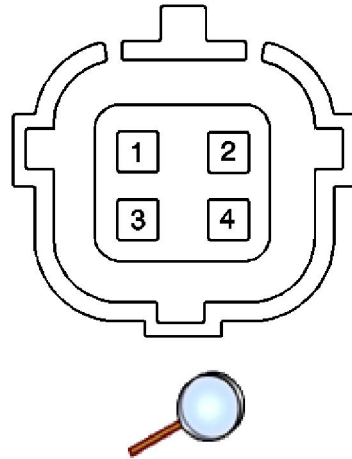
### Air Suspension Compressor (ZM6)



<b>Connector Part Information</b>		<ul style="list-style-type: none"> <li>• 12124685</li> <li>• 3-Way F Metri-Pack 680 Series Sealed (BLK)</li> </ul>	
Pin	Wire Color	Circuit No.	Function
A	RED	1A	Compressor Battery Positive Voltage
B	BLK	2A	Ground
C	YEL	3L	Over Temperature Signal

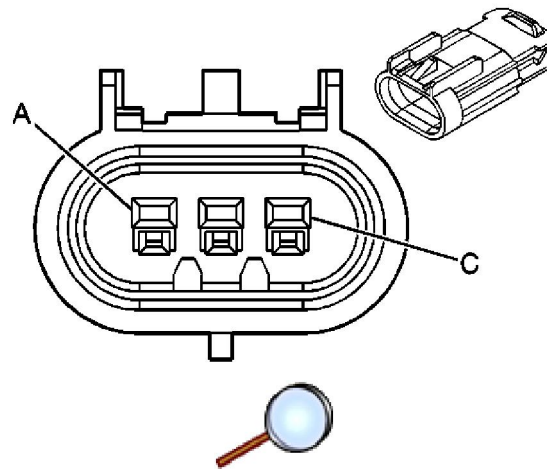
### Air Suspension Exhaust Valve (ZM6)





<b>Connector Part Information</b>		<ul style="list-style-type: none"> <li>• 344270-3</li> <li>• 4-Way F AMP 070 Series Sealed (BLU)</li> </ul>	
Pin	Wire Color	Circuit No.	Function
1	--	--	Not Used
2	YEL	3P	Air Suspension Exhaust Valve Control
3	YEL	3U	Ground
4	--	--	Not Used

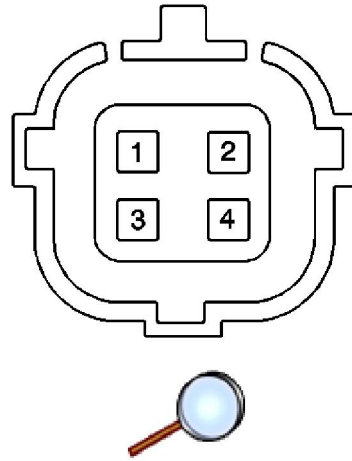
**Air Suspension Inflator Switch (ZM6)**



<b>Connector Part Information</b>		<ul style="list-style-type: none"> <li>• 15326813</li> <li>• 3-Way M 150 Sealed (BLK)</li> </ul>	
Pin	Wire Color	Circuit No.	Function
A	PPL	5523	Inflator Switch Signal
B	LT GRN	5522	Inflator Switch Low Reference
C	ORN	5524	Inflator Switch Indicator Control

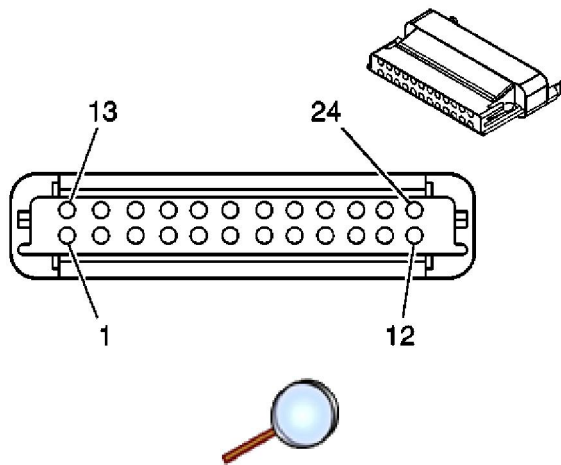
**Air Suspension Inlet Valve-LR/RR (ZM6)**

--	--	--	--



<b>Connector Part Information</b>		<ul style="list-style-type: none"> <li>• 344270-1</li> <li>• 4-Way F AMP 070 Series Sealed (BLK)</li> </ul>	
Pin	Wire Color	Circuit No.	Function
1	YEL	3S	Ground
2	YEL	3N	Inlet Valve-LR Control
3	YEL	3T	Ground
4	YEL	3O	Inlet Valve-RR Control

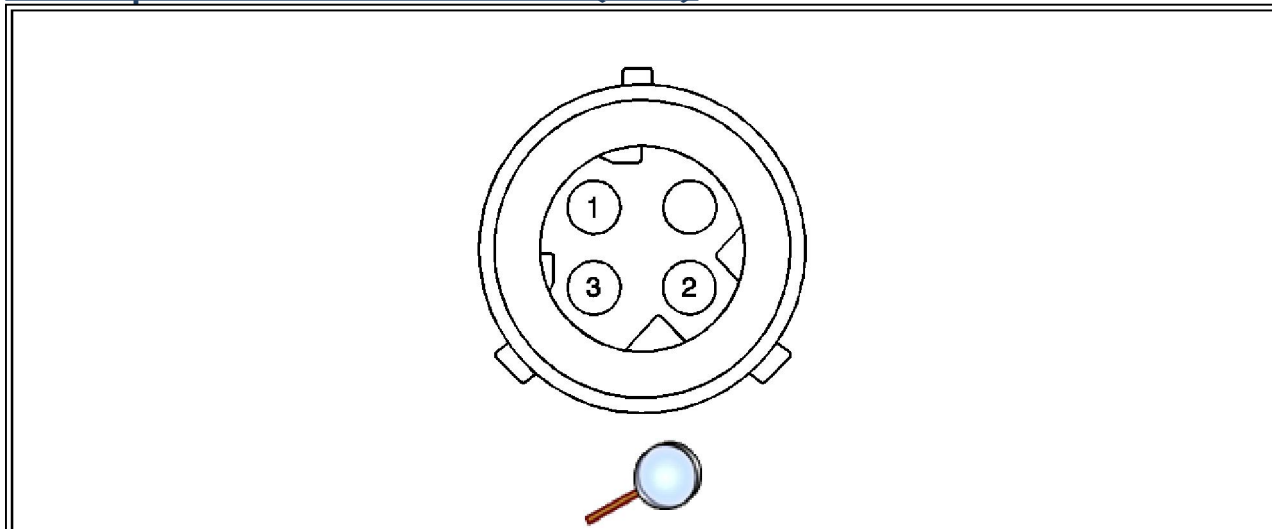
**Air Suspension Module (ZM6)**



<b>Connector Part Information</b>		<ul style="list-style-type: none"> <li>• 12129225</li> <li>• 24-Way F Micro-Pack 100 Series (NAT)</li> </ul>	
Pin	Wire Color	Circuit No.	Function
1	YEL	3P	Air Suspension Exhaust Valve Control
2	YEL	3O	Air Suspension Inlet Valve-RR Control
3	YEL	3A	5 Volt Reference
4	YEL	3C	Air Suspension Sensor Signal- RR
5	YEL	3B	Air Suspension Sensor Signal-LR
6	YEL	3G	Ride Height Switch Signal

7	YEL	2D	Low Reference
8	YEL	2B	Ground
9	--	--	Not Used
10	YEL	3J	SCM (Suspension) Class 2 Serial Data
11	YEL	3K	Air Suspension Pressure Sensor Signal
12	YEL	1B	Battery Positive Voltage
13	YEL	3M	Air Suspension Relay Control
14	YEL	3N	Air Suspension Inlet Valve-LR Control
15	YEL	3E	Ride Height Active Indicator Control
16	YEL	3D	Inflator Switch Indicator Control
17	YEL	3H	Inflator Switch Signal
18	YEL	3L	Overtemperature Signal
19	YEL	2E	Low Reference
20	YEL	2C	Inflator Switch Low Reference
21	YEL	3F	Ignition 3 Voltage
22	--	--	Not Used
23	YEL	3R	Air Suspension Relay Ground
24	--	--	Not Used

**Air Suspension Pressure Sensor (ZM6)**

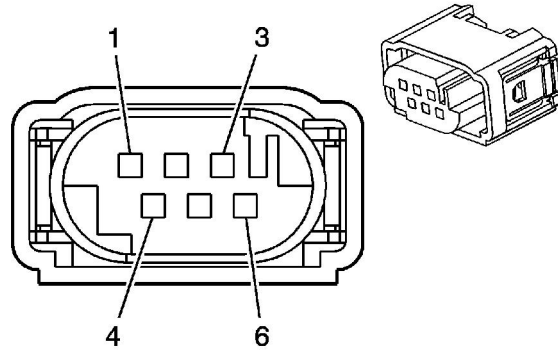


<b>Connector Part Information</b>	• 9800426
	• 4-Way F Schlemmer DIN Sealed (GRN)

Pin	Wire Color	Circuit No.	Function
1	YEL	3A	5 Volt Reference
2	YEL	2E	Low Reference
3	YEL	3K	Air Suspension Pressure Sensor Signal
4	--	--	Not Used

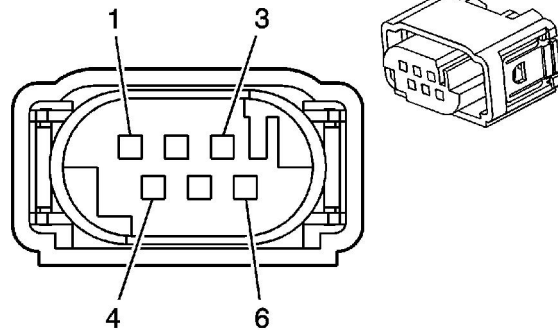
**Air Suspension Sensor-LR (ZM6)**

--	--	--	--



<b>Connector Part Information</b>		<ul style="list-style-type: none"> <li>• 15355474</li> <li>• 6-Way F MQS SLD (BLK)</li> </ul>	
Pin	Wire Color	Circuit No.	Function
1	GRY	2165	5 Volt Reference
2	BRN	2184	Air Suspension Sensor Signal-LR
3	PPL	2185	Low Reference
4-6	--	--	Not Used

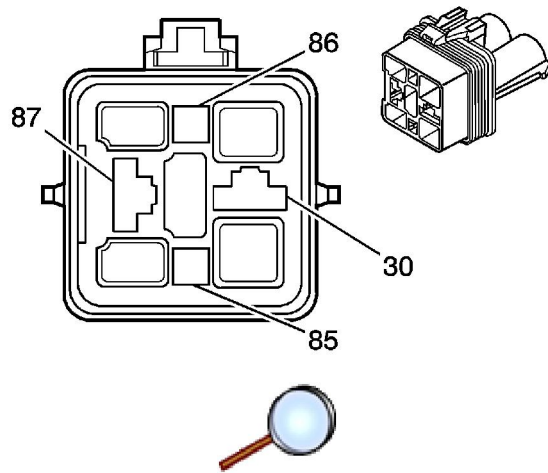
**Air Suspension Sensor-RR (ZM6)**



<b>Connector Part Information</b>		<ul style="list-style-type: none"> <li>• 15355474</li> <li>• 6-Way F MQS SLD (BLK)</li> </ul>	
Pin	Wire Color	Circuit No.	Function
1	PPL	2185	Low Reference
2	BRN	2227	Air Suspension Sensor Signal - RR
3	GRY	2165	5 Volt Reference
4-6	--	--	Not Used

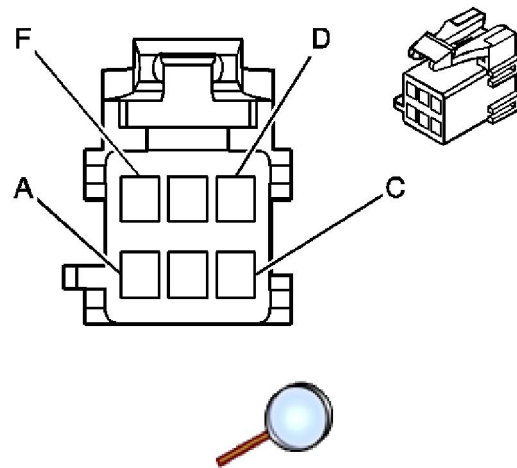
**Electronically Controlled Air Suspension Relay (ZM6)**

--	--	--	--



<b>Connector Part Information</b>		<ul style="list-style-type: none"> <li>• 15336745</li> <li>• 4-Way F GR 280 Series Metri-Pack 800 Sealed (GRY)</li> </ul>	
Pin	Wire Color	Circuit No.	Function
30	DK GRN	322	Air Suspension Compressor Motor Control
85	GRY	2672	Air Suspension Relay Control
86	YEL	321	Air Suspension Relay Ground
87	RED	4042	Air Suspension Relay Supply Voltage

**Ride Height Switch (ZM6)**



<b>Connector Part Information</b>		<ul style="list-style-type: none"> <li>• 12177194</li> <li>• 6-Way F Metri-Pack 150 Series (NAT)</li> </ul>	
Pin	Wire Color	Circuit No.	Function
A	LT BLU	5521	Ride Height Switch Signal
B	BLK	1050	Ground
C	WHT	5520	Ride Height Active Indicator Control
D	PPL/WHT	1382	LED Dimming Signal
E	BRN/WHT	230	Instrument Panel Lamps Dimming Control

F	BRN	241	Ignition 3 Voltage
---	-----	-----	--------------------