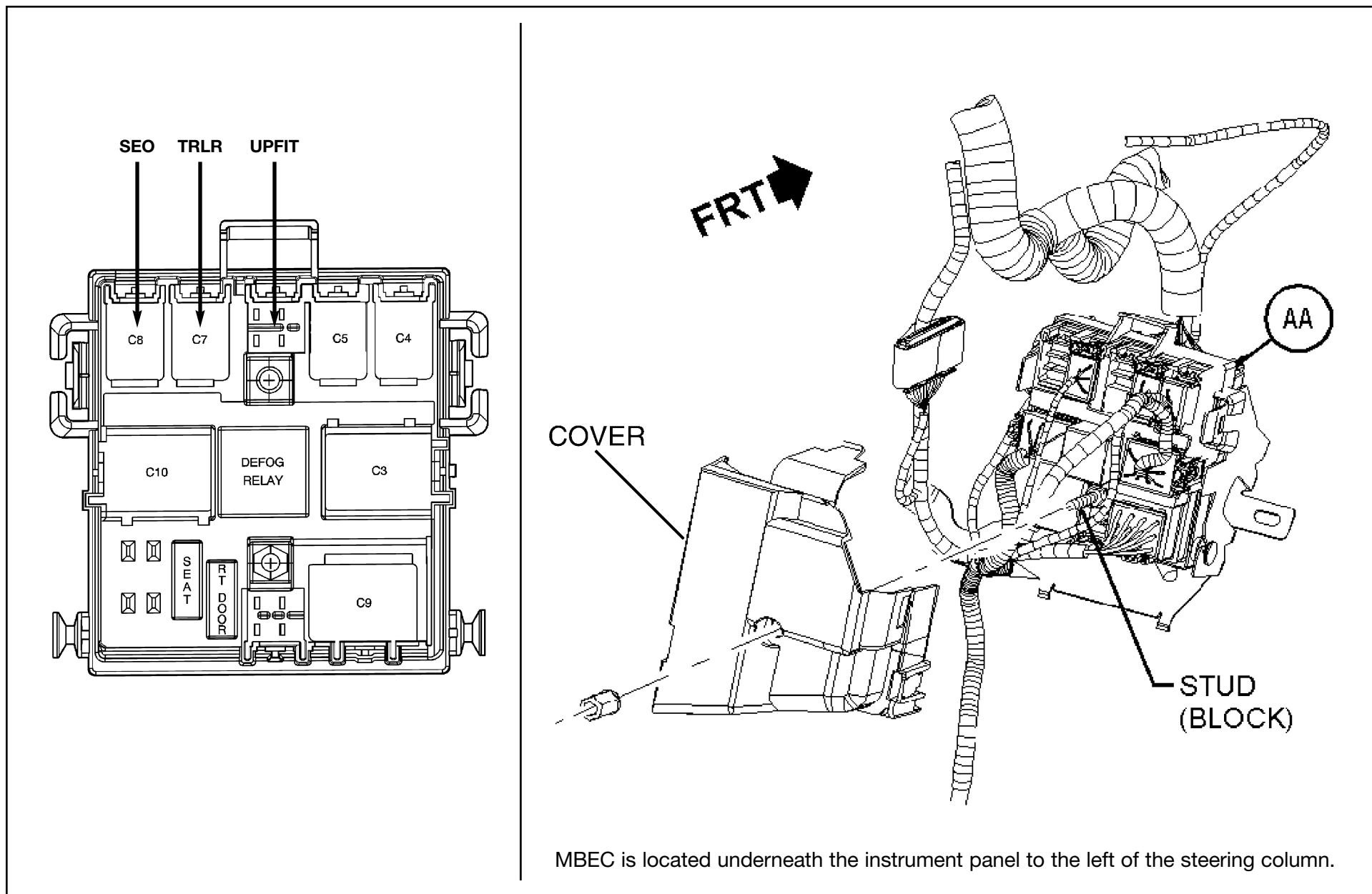


## Mid BEC Connectors Location



## Power Distribution Centers : MID BEC (Relay Center)

The following connectors allow for easy access to vehicle functions. These are open connector positions on the Mid BEC.

SEO connector in Mid BEC – Connector C-8

Connector 12193930 – BLK

Cavity	Wire Color	Circuit No.	Function	Fuse Rating
A	Orange	2340	Hot at all times	30 Amp - SEO2 Fuse
B	---	---	Not Used	-----
C	Pink	739	Hot Run/Start	10 Amp - SEO IGN Fuse
D	Yellow	243	Hot Accy/Run	10 Amp - SEO ACCY Fuse
E	Orange	4540	Hot at all times	15 Amp - SEO B1 Fuse
F	Black	1050	Ground	-----

Trailer Brake Control wiring harness connector in Mid BEC – Connector C-7

Connector 12193924 – BRN

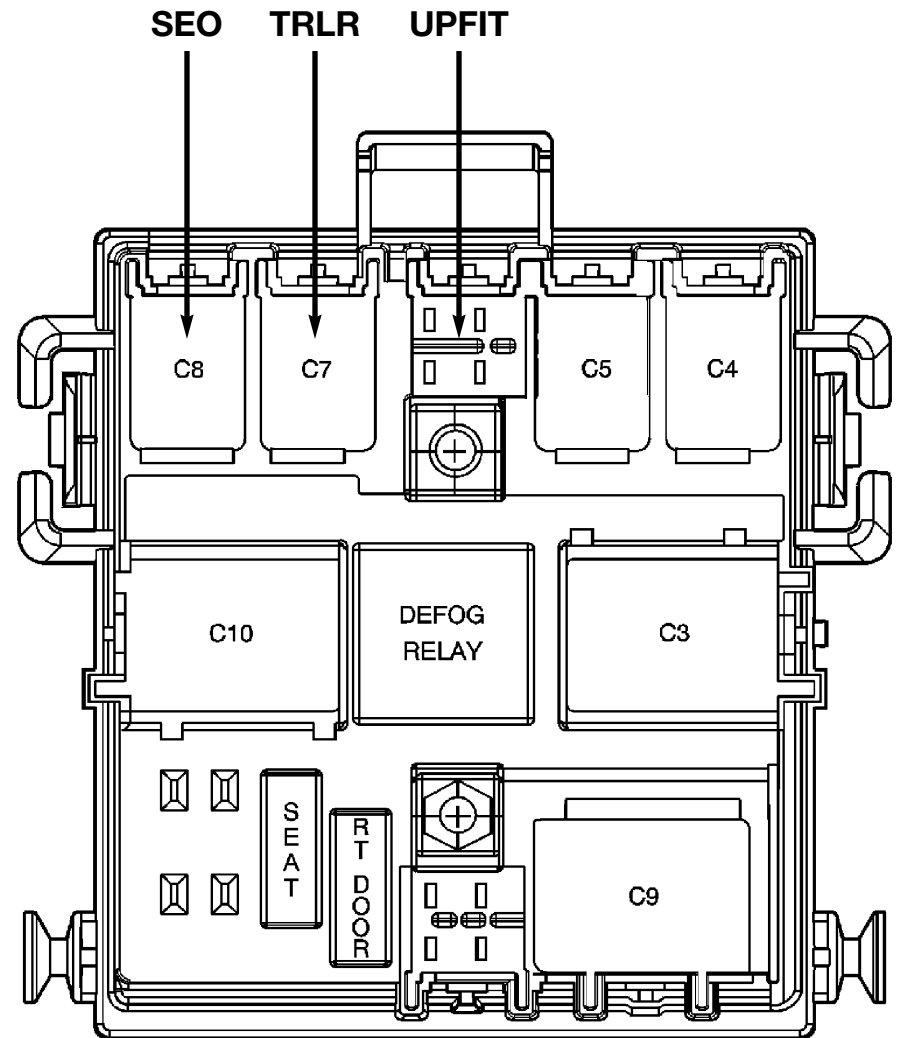
Cavity	Wire Color	Circuit No.	Function
A	Brown	2409	Interior Park Lamp Feed
B	Red	242	Hot at all times
C	Dark Blue	47	Trailer Brake Control Feed
D	Light Blue	1620	Trailer CHMSL Feed
E	---	---	Not Used
F	Ground	1050	Ground

Upfitter Connector in Mid BEC – no # designation

Connector 12914033 - CRM

Cavity	Wire Color	Circuit No.	Function
A	Orange	4540	Hot at all times
B	---	---	Not Used
C	---	---	Not Used
D	Dark Green	817	Primary Vehicle Speed Signal

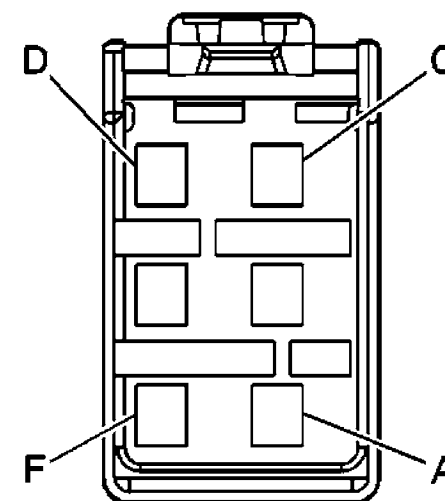
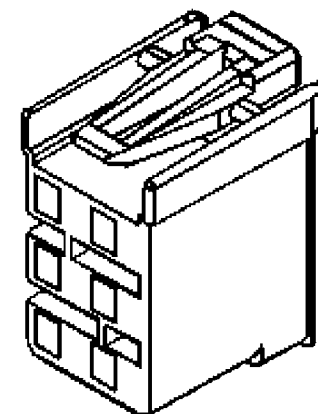
All of the connectors and pin-outs are listed in the Connector and Pin-out section for the Mid BEC.



## SEO Connector in Mid BEC – Connector C-8

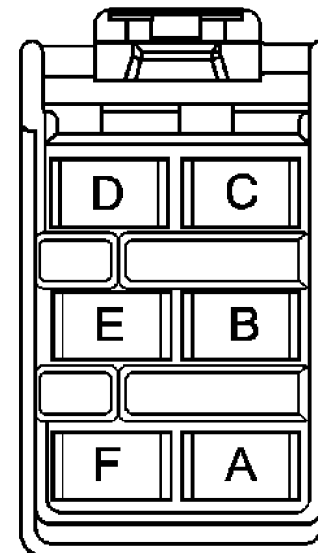
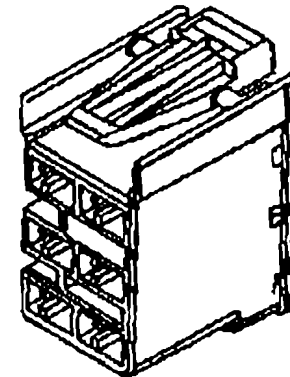
Connector	Packard 280 Series
Typical Connector	12193930 (F)
Color	<b>BLK</b>
Typical Terminal	12191479
Typical Cable Seal	n/a

Cavity	Wire Color	Circuit No.	Function	Fuse Rating
A	ORN	2340	Hot at all times	30 Amp – SEO2 Fuse
B	— —	— —	Not Used	— —
C	PNK	739	Hot Run/Start	10 Amp – SEO IGN Fuse
D	YEL	243	Hot Accy/Run	10 Amp – SEO ACCY Fuse
E	ORN	4540	Hot at all times	15 Amp – SEO B1 Fuse
F	BLK	1050	Ground	— —



## Trailer Brake Control Wiring Harness Connector in Mid BEC – Connector C-7

Connector	Packard 280 Series		
Typical Connector Color	12193924 (F) <b>BRN</b>		
Typical Terminal	12191479		
Typical Cable Seal	n/a		
Cavity	Wire Color	Circuit No.	Function
A	BRN	2409	Interior Park Lamp Feed
B	RED	242	Hot at all times
C	BLU DK	47	Trailer Brake Control Feed
D	BLU LT	1620	Trailer CHMSL Feed
E	--	--	Not Used
F	BLK	1050	Ground



## Upfitter Connector in Mid BEC – no # designation

Connector	Packard 280 Series
Typical Connector	12914033 (F)
Color	<b>CRM</b>
Typical Terminal	12191479
Typical Cable Seal	n/a

Cavity	Wire Color	Circuit No.	Function
A	ORN	4540	Hot at all times
B	--	--	Not Used
C	--	--	Not Used
D	GRN DK	817	Primary Vehicle Speed Signal

