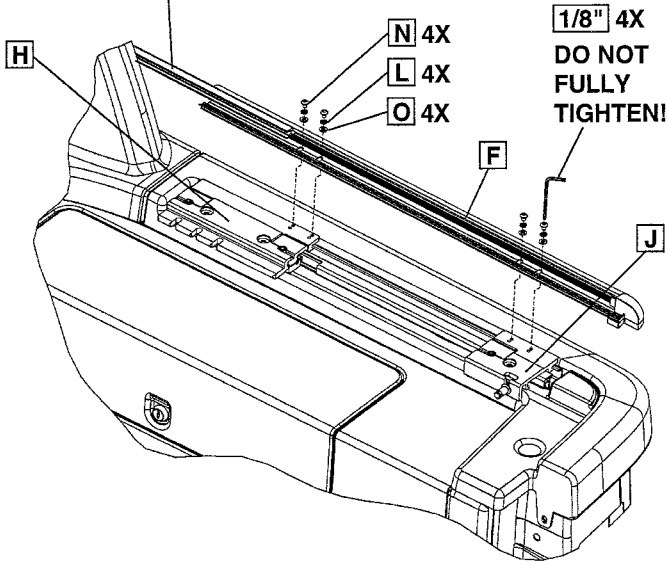


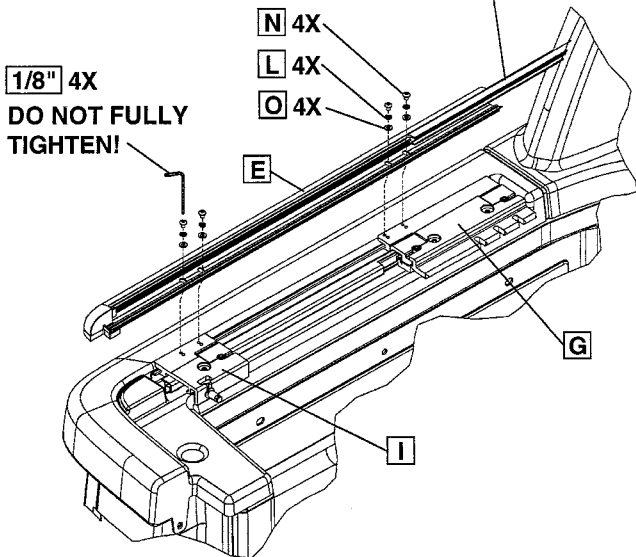
Step 5

SLIDE UPPER SEAL PARTIALLY OUT FOR EASE OF INSTALLING FASTENERS. SLIDE BACK IN AFTER FASTENERS ARE ASSEMBLED.

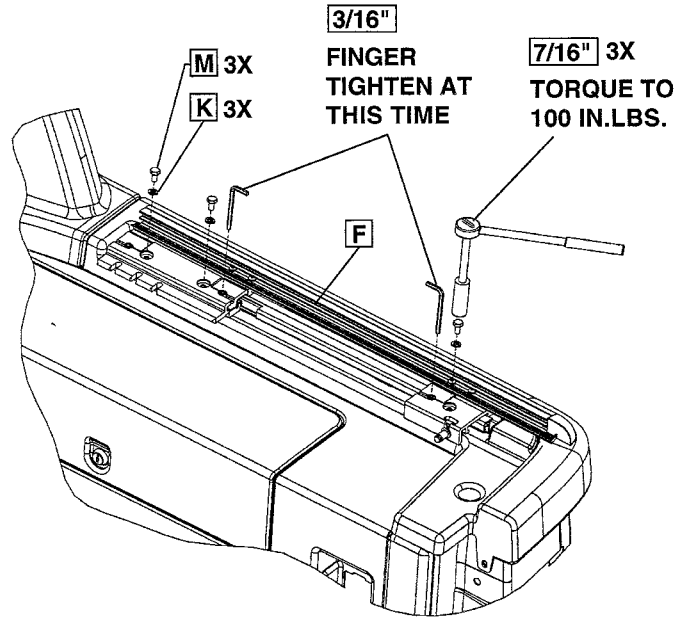


Step 6

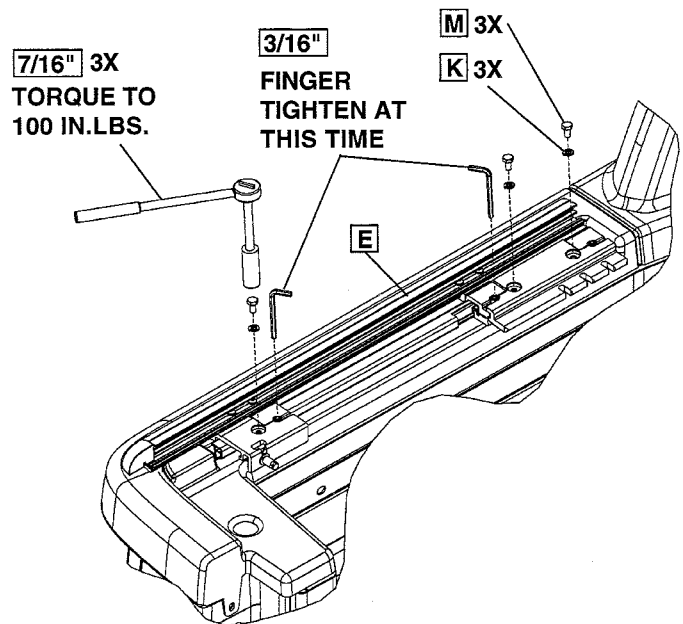
SLIDE UPPER SEAL PARTIALLY OUT FOR EASE OF INSTALLING FASTENERS. SLIDE BACK IN AFTER FASTENERS ARE ASSEMBLED.



Step 7



Step 8



Tonneau Cover

IR 190C05

PART NO. **88965272**

SHEET **3** OF **18**

ALL INFORMATION WITHIN ABOVE BORDER TO BE PRINTED EXACTLY AS SHOWN ON 8.5 x 11 WHITE 16 POUND NON-BOND RECYCLABLE PAPER. PRINT ON BOTH SIDES, EXCLUDING TEMPLATES. TO BE UNITIZED IN ACCORDANCE WITH GMSPO SPECIFICATIONS.

DATE	REVISION	AUTH	DR

TITLE
INSTALLATION INSTRUCTIONS
Tonneau Cover
PART NO. 88965272
SHEET 3 OF 18