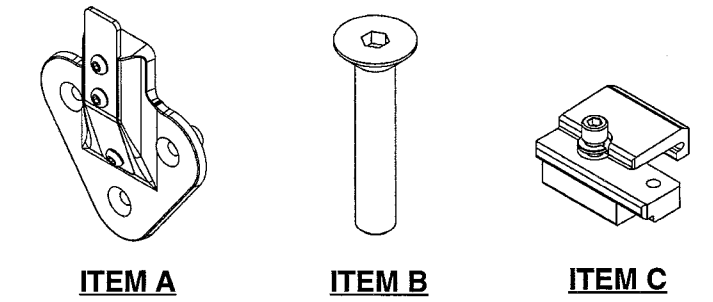
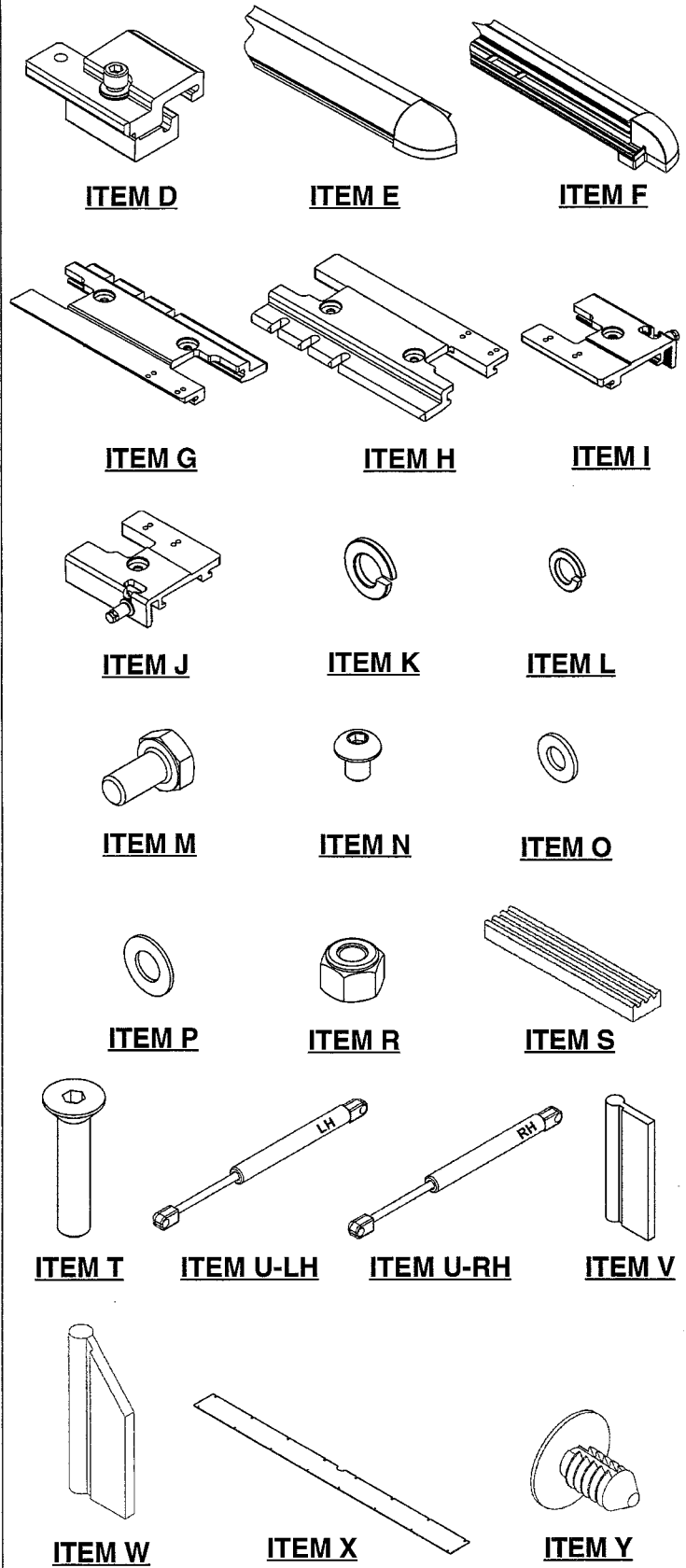
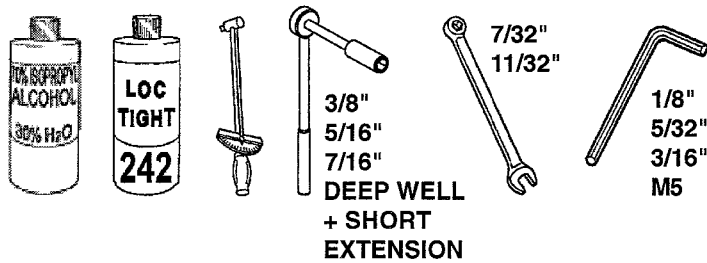


**Tonneau Cover**

Item	Description	Quantity
A	Tailgate Lock Plate Assembly	1
B	Flat Head Cap Screw - M8 X 45 mm long	3
C	Drop In Rail Clamp - A	3
D	Drop In Rail Clamp - B	3
E	Left Hand Side Rail Assembly	1
F	Right Hand Side Rail Assembly	1
G	Left Hand Panel Mounting Bracket - Front	1
H	Right Hand Panel Mounting Bracket - Front	1
I	Left Hand Latch Pin Bracket - Rear	1
J	Right Hand Latch Pin Bracket - Rear	1
K	Lock Washer - 1/4"	6
L	Lock Washer - #10	8
M	Hex Head Cap Screw - 1/4-20 X 1/2" long	6
N	Button Head Cap Screw - #10-24 X 3/8" long	8
O	Flat Washer - #10	8
P	Flat Washer - 1/4"	6
R	Nylok Hex Nut - 1/4-20	6
S	Side Rail Seal	2
T	Flat Head Cap Screw - 1/4-20 X 1-1/4" long	6
U	Hydraulic Lift Cylinder	2
V	Tailgate Seal - Short	2
W	Tailgate Seal -Long	2
X	Latch Channel Cover	1
Y	Push In Fastener	16
Z	Adhesion Promoter Packet (not shown)	1
AA	Panel Assembly (not shown)	1

**Tools Required**



DATE	REVISION	AUTH	DR
05AP04	Initial Release-Thomas Tippett		
18MY04	Revised-Thomas Tippett		
08JN04	Revised-Thomas Tippett		
19OC05	Revised-Thomas Tippett		

TITLE
<b>INSTALLATION INSTRUCTIONS</b>
<b>Tonneau Cover</b>
PART NO. <b>88965272</b> SHEET <b>1</b> OF <b>18</b>

ALL INFORMATION WITHIN ABOVE BORDER TO BE PRINTED EXACTLY AS SHOWN ON 8.5 x 11 WHITE 16 POUND NON-BOND RECYCLABLE PAPER. PRINT ON BOTH SIDES, EXCLUDING TEMPLATES. TO BE UNITIZED IN ACCORDANCE WITH GMSPO SPECIFICATIONS.