

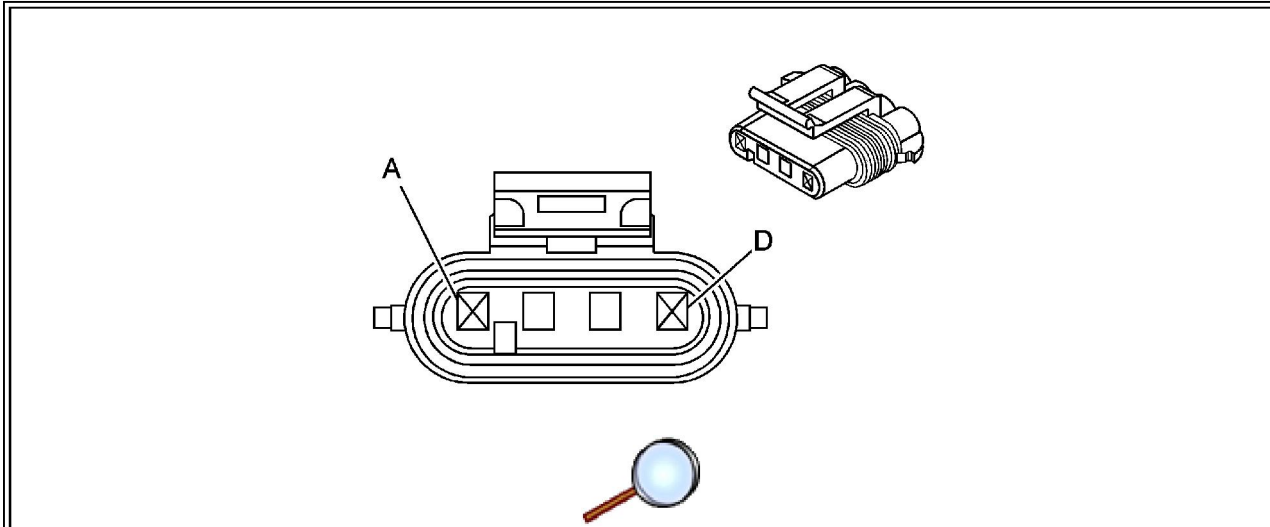
Engine Electrical Connector End Views

Table 1: [Generator](#)

Table 2: [Ignition Switch](#)

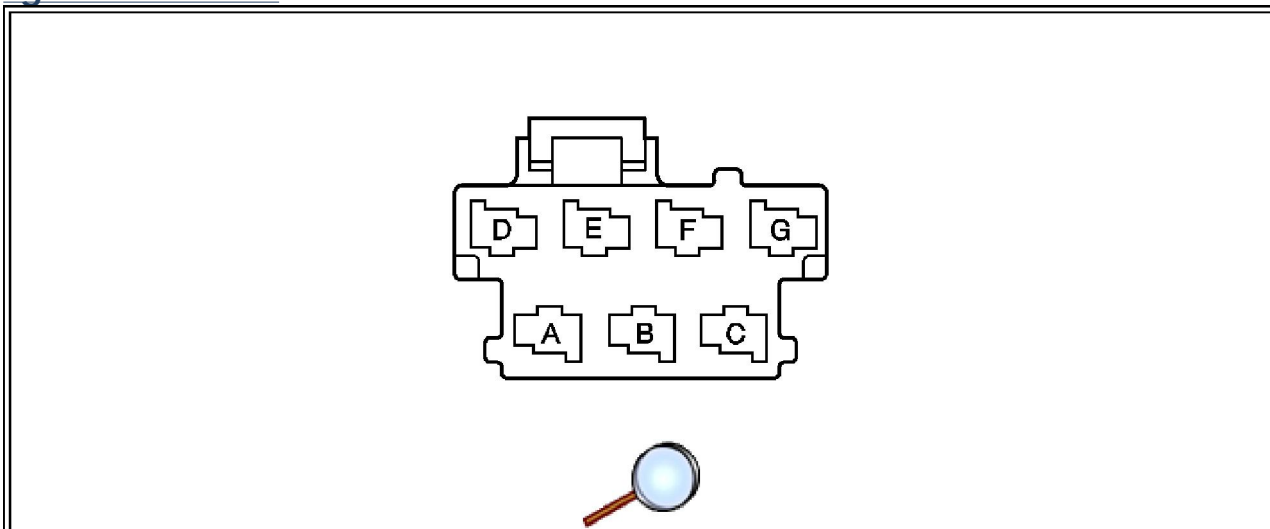
Table 3: [Park/Neutral Position \(PNP\) Switch-C2](#)

Generator



Connector Part Information		<ul style="list-style-type: none"> • 15355066 • 2-Way F Metri-Pack 150 Series Sealed (TAN) 	
Pin	Wire Color	Circuit No.	Function
B	BRN	25	Charge Indicator Control Signal
C	GRY	23	Generator Field Duty Cycle Signal

Ignition Switch

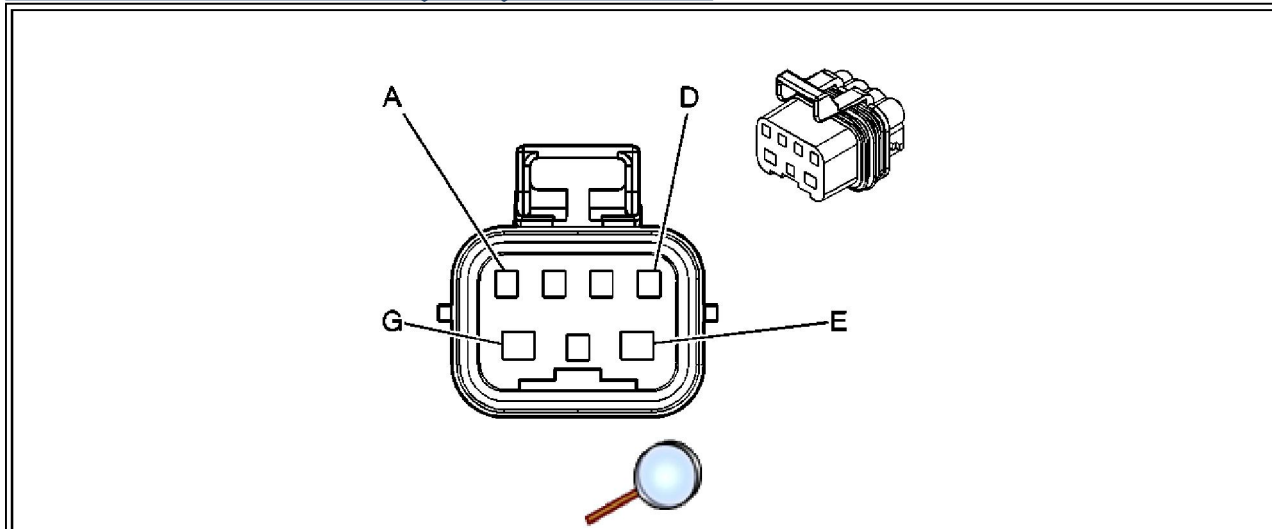


Connector Part Information		<ul style="list-style-type: none"> • 10400853490 • 7-Way F Kostal N Series (BLK) 	
Pin	Wire Color	Circuit No.	Function

© 2017 General Motors Corporation. All rights reserved.

A	BRN	4	Accessory Voltage
B	RED/WHT	342	Battery Positive Voltage
C	PNK	3	Ignition 1 Voltage
D	YEL	5	Crank Voltage
E	WHT	1390	Acc/Run/Crank Voltage
F	RED	142	Battery Positive Voltage
G	ORN	300	Ignition 3 Voltage

Park/Neutral Position (PNP) Switch-C2



Connector Part Information		<ul style="list-style-type: none"> • 12129840 • 7-Way F Metri-Pack 150 280 (MD GRY) 	
Pin	Wire Color	Circuit No.	Function
A	--	--	Not Used
B	LT GRN	275	Park Neutral Position Switch Park Signal
C	PNK	839	Ignition 1 Voltage
D	BLK/WHT	451	Ground
E	PNK	639	Ignition 1 Voltage
F	GRY	1524	Backup Lamp Supply Voltage
G	DK GRN	1433	Start Switch Signal