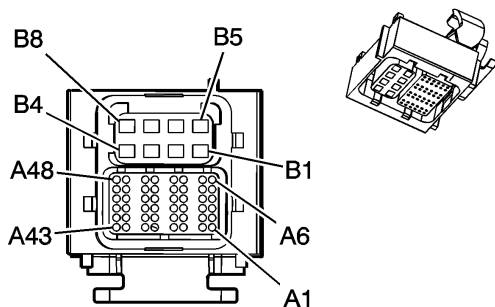


DATA COMMUNICATION CONNECTOR END VIEWS

Data Communication Connector End Views

Body Control Module (BCM) C1



Connector Part Information

OEM: 15480437
 Service: 88988604
 Description: 56-Way F GT 280/Micro 64 Series (BK)

Terminal Part Information

Pins: A2-A6, A8-A48
 Terminal/Tray: 15359541/4
 Core/Insulation Crimp: M/M
 Release Tool/Test Probe: 15381651-2/J-35616-64A (L-BU)
 Pins: A7, B1-B8
 Terminal/Tray: 15304711/8
 Core/Insulation Crimp: Pins B3-B4, B6-B8: E/A, Pins A7, B1-B2, B5: 2/A
 Release Tool/Test Probe: 15315247/J-35616-4A (PU)

Body Control Module (BCM) C1 (Pin A1 To A36)

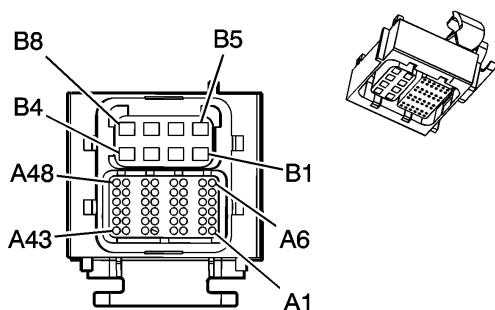
Body Control Module (BCM) C1			
Pin	Wire Color	Circuit No.	Function
A1	-	-	Not Used
A2	YE	317	Fog Lamp Relay Control
A3	L-BU	14	Left Turn Signal Lamp Supply Voltage
A4	-	-	Not Used
A5	PK/WH	1970	Headlamp Relay Control
A6	BK	755	RAP Relay Coil Control
A7	OG	2040	Battery Positive Voltage
A8	D-GN	113	Windshield Wiper Switch Signal 2
A9	YE	1977	Fog Lamp Relay Output Coil Rear
A10	WH	193	Rear Defog Relay Control
A11	L-BU	244	Passenger Door Lock Switch Lock Control
A12	WH	194	Door Unlock Control
A13-A17	-	-	Not Used
A18	BK/WH	1969	Headlamp High Beam Relay Control
A19	D-BU	15	Right Turn Signal Lamps Supply Voltage
A20	YE	196	Windshield Wiper Motor Park Switch Signal
A21-A23	-	-	Not Used
A24	BN/WH	301	Park Lamp Relay Control
A25	-	-	Not Used
A26	RD/BK	1594	Ignition 3 Relay Control
A27-A28	-	-	Not Used
A29	OG	1732	Inadvertant Power Supply Voltage
A30	OG	1732	Inadvertant Power Supply Voltage
A31	L-BU	1134	Park Brake Switch Signal
A32	GY/BK	745	Left Front Door Ajar Switch Signal
A33-A35	-	-	Not Used
A36	L-BU	74	Front Position Lamp Relay Control

Body Control Module (BCM) C1 (Pin A37 To B8)

Body Control Module (BCM) C1

Pin	Wire Color	Circuit No.	Function
A37	L-BU	20	Stop Lamp Supply Voltage
A38	L-GN/BK	748	Right Front Door Ajar Switch Signal
A39	BK/WH	746	Left Rear Door Ajar Switch Signal
A40	BK	28	Horn Relay Control
A41	PU	1807	Class 2 Serial Data
A42	PU	1807	Class 2 Serial Data
A43	D-GN/WH	762	A/C Request Signal
A44	L-BU/BK	747	Right Rear Door Ajar Switch Signal
A45	-	-	Not Used
A46	WH	156	Courtesy Lamp Low Control
A47	PU	1807	Class 2 Serial Data
A48	BN	2509	Left Rear Park Lamps Supply Voltage
B1	YE	18	Left Rear Stop/Turn Lamp Supply Voltage (Domestic)
B1	YE	618	Left Rear Stop/Turn Lamp Supply Voltage (Export)
B2	D-GN	19	Right Rear Stop/Turn Lamp Supply Voltage (Domestic)
B2	D-GN	619	Right Rear Stop/Turn Lamp Supply Voltage (Export)
B3	BK/WH	1251	Ground
B4	RD	228	Windshield Washer Pump Control
B5	OG	840	Battery Positive Voltage
B6	D-BU	338	Run/Crank Voltage
B7	BN	4	Accessory Voltage
B8	OG	1340	Battery Positive Voltage

Body Control Module (BCM) C2



Connector Part Information

OEM: 15480439
 Service: 88988604
 Description: 56-Way F GT 280/Micro 64 Series (GY)

Terminal Part Information

Pins: A1-A48
 Terminal/Tray: 15359541/4
 Core/Insulation Crimp: M/M
 Release Tool/Test Probe: 15381651-2/J-35616-64A (L-BU)
 Pins: B5-B8
 Terminal/Tray: 15304711/8
 Core/Insulation Crimp: E/A
 Release Tool/Test Probe: 15315247/J-35616-4A (PU)

Body Control Module (BCM) C2 (Pin A1 To A30)

Body Control Module (BCM) C2

Pin	Wire Color	Circuit No.	Function
A1	PU	524	Headlamp Dimmer Switch High Beam Signal
A2	WH	103	Headlamp Switch Headlamps On Signal
A3	GY	112	Windshield Wiper Switch Signal 1
A4	BN/WH	230	Instrument Panel Lamps Dimming Control
A5	YE	183	Front Fog Lamp Indicator Control
A6	L-BU	2114	Left Rear Turn Signal Lamp Supply Voltage (Domestic)
A6	D-BU	184	Rear Fog Lamp Indicator Control (Export)
A7	BN/WH	301	Park Lamp Switch Signal
A8	BN	1356	Flash To Pass Switch Signal
A9	PU/WH	549	Headlamp Switch Headlamps Off Signal
A10	PU	719	Low Reference
A11	D-BU/WH	1495	Dome Override Switch Signal
A12	PU	328	Interior Lamp Switch Signal
A13	D-BU/WH	6796	ONSTAR Voice Recognition Switch Signal
A14	WH	1390	Off/Run/Crank Voltage
A15-A16	-	-	Not Used
A17	BN/WH	1571	Traction Control Switch Signal
A18	OG	192	Front Fog Lamp Switch Signal
A19	GY	728	Security Indicator Control
A20-A22	-	-	Not Used
A23	L-BU	187	Rear Fog Lamp Switch Signal (Export)
A24	L-BU	292	Rear Defog Switch Signal
A25	BK	28	Horn Relay Control
A26	D-BU	2115	TCS Requested Indicator Control (Domestic)
A27	GY	8	Instrument Panel Lamps Dimmer Switch Signal
A28	GY	8	Instrument Panel Lamps Dimmer Switch Signal
A29	GY	8	Instrument Panel Lamps Dimmer Switch Signal
A30	GY	8	Instrument Panel Lamps Dimmer Switch Signal

Body Control Module (BCM) C2 (Pin A31 To B8)

Body Control Module (BCM) C2

Pin	Wire Color	Circuit No.	Function
A31	BN	323	Shift Solenoid Supply Voltage
A32	TN	683	Rear Defog Indicator Supply Voltage
A33	GY	8	Instrument Panel Lamps Dimmer Switch Signal
A34	GY	8	Instrument Panel Lamps Dimmer Switch Signal
A35	-	-	Not Used
A36	GY	8	Instrument Panel Lamps Dimmer Switch Signal
A37	WH	278	Ambient Light Sensor Signal
A38	PU	1807	Class 2 Serial Data
A39	PU	1807	Class 2 Serial Data
A40	OG	1732	Inadvertant Power Supply Voltage
A41	WH	156	Courtesy Lamp Low Control
A42	WH/BK	1073	Ignition Key Resistor Signal
A43	BK	279	Ambient Light Sensor Low Reference
A44	PU	1807	Class 2 Serial Data
A45	L-BU	1508	Turn Signal Switch Signal
A46	OG	1732	Courtesy Lamp Supply Voltage
A47	WH	156	Courtesy Lamp Low Control
A48	WH	111	Hazard Switch Signal
B1-B2	-	-	Not Used
B3	D-GN	619	Right Rear Stop/Turn Lamp Supply Voltage (Export)
B4	YE	618	Left Rear Stop/Turn Lamp Supply Voltage (Export)
B5	RD	228	Windshield Washer Pump Control
B6	-	-	Not Used
B7	BN	4	Accessory Voltage
B8	D-BU	338	Run/Crank Voltage