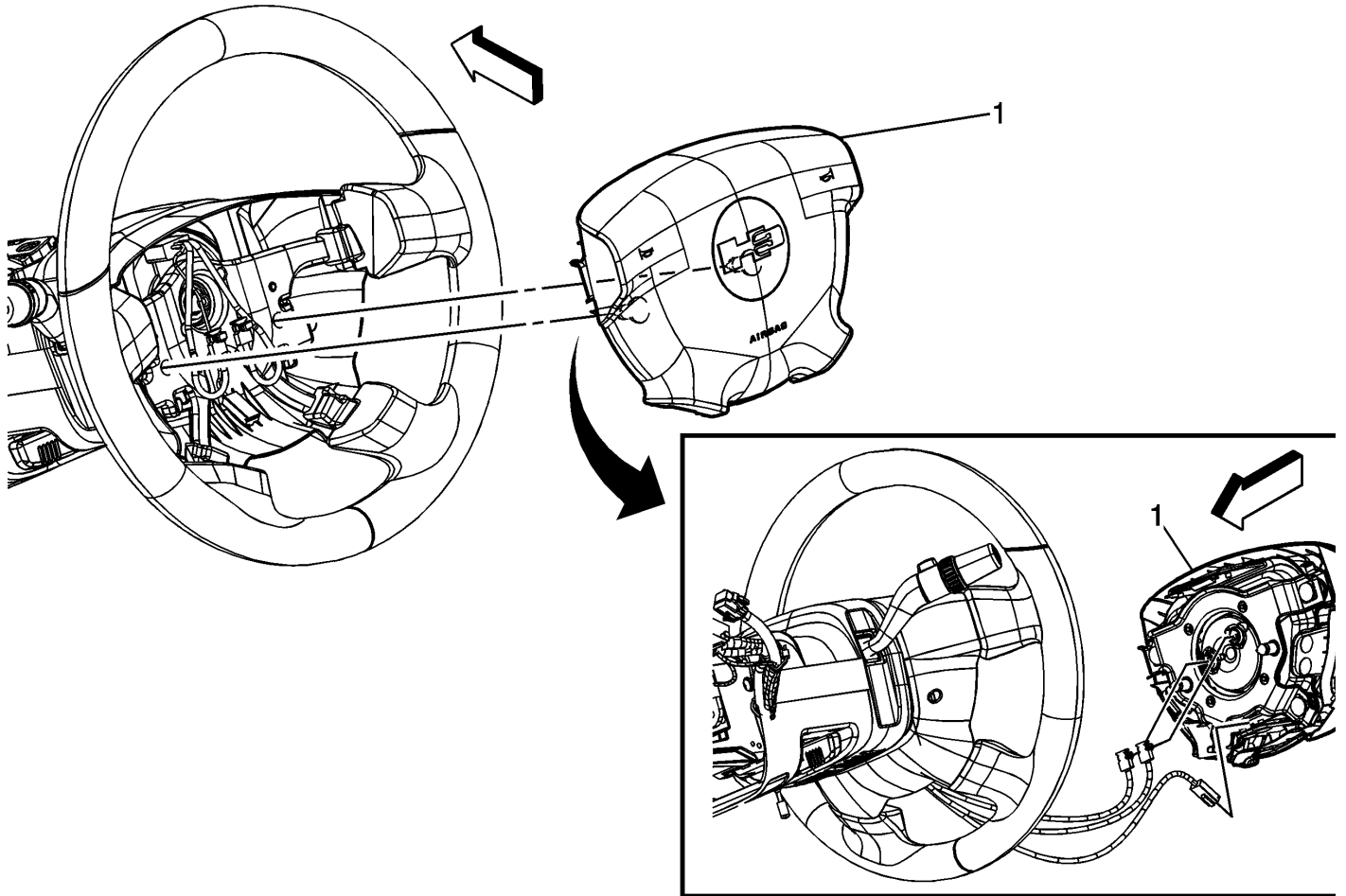


**MULTIFUNCTION TURN SIGNAL SWI...**

**STEERING WHEEL INFLATABLE RESTRAINT MODULE REPLACEMENT (SUPPLEMENTAL INFLATABLE RESTRAINTS)**

Docume  
1:

**Steering Wheel Inflatable Restraint Module Replacement**



Callout	Component Name
---------	----------------

**Caution:** Refer to [SIR Inflator Module Handling and Storage Caution](#).

**Caution:** Refer to [SIR Caution](#).

**Fastener Tightening Specifications:** Refer to [Fastener Tightening Specifications](#).

**Preliminary Procedures**

1. Disable the supplemental inflatable restraint (SIR) system. Refer to [SIR Disabling and Enabling](#).
2. On back side of the steering wheel shroud are 2 openings, place the wheel so that one opening is on top.
3. Using a blunt-ended tool, push the spring fastener inward through the access hole. Repeat the step for other opening.

1	Module, Steering Wheel Inflatable Restraint  Tip:
---	---

1. Release the connector position assurance (CPA) retainer.
2. Disconnect the electrical connectors.
3. Fully deploy the module before disposal. If the module was replaced under warranty, fully dep and dispose of the module after the required retention period. Refer to [Inflatable Restraint Mo Handling and Scrapping](#).

---

"Portions of materials contained herein have been reprinted with permission of General Motors Corporation, and Parts Operations" License Agreement #0410810.

Copyright 2007 - 2012 Service Repair Solutions, Inc.

---