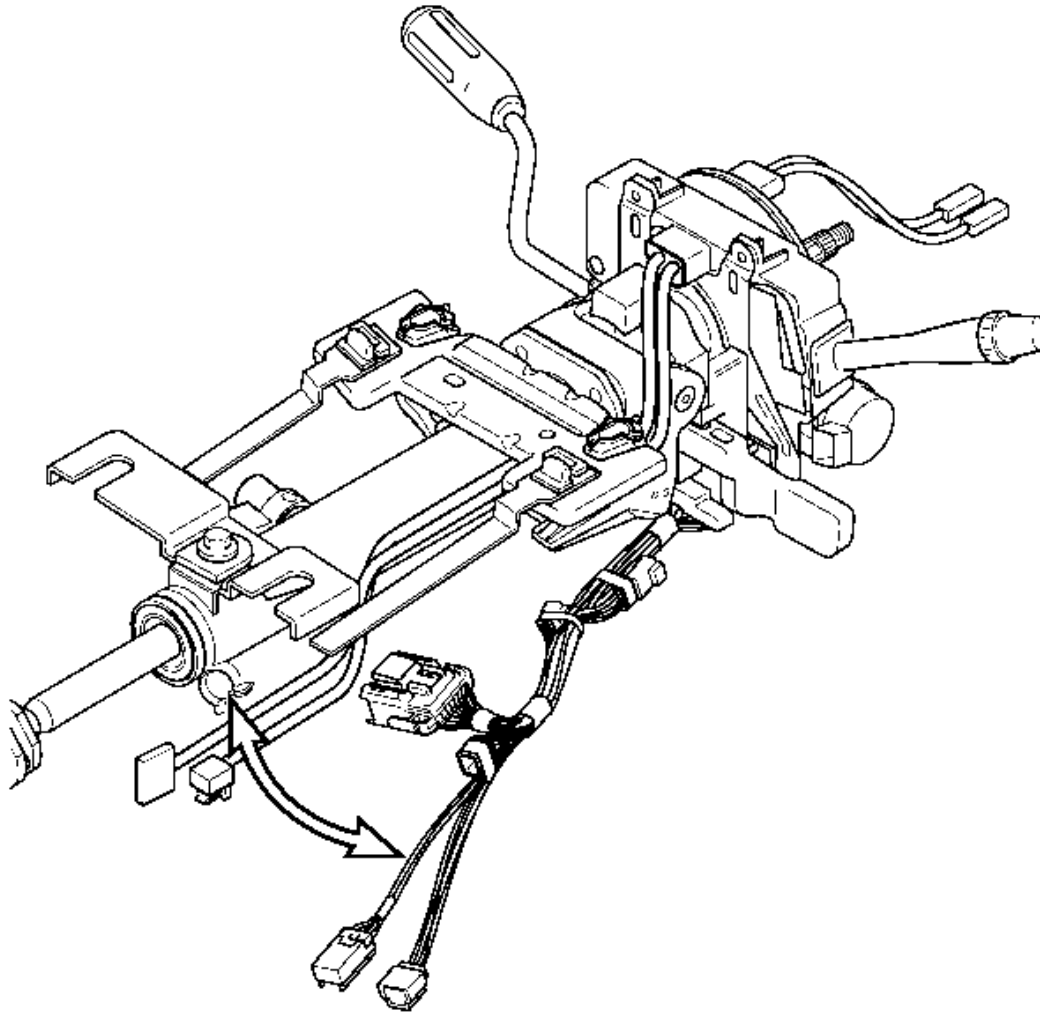


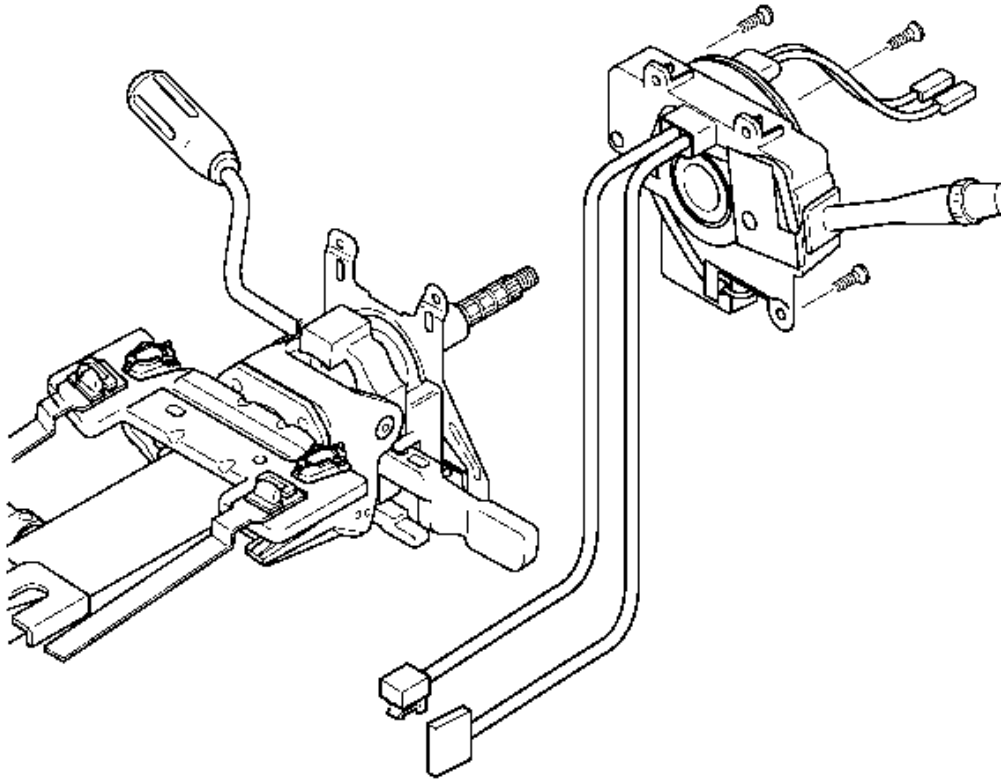
**MULTIFUNCTION TURN SIGNAL SWI...**

TURN SIGNAL MULTIFUNCTION SWITCH REPLACEMENT (STEERING WHEEL AND COLUMN) Document ID# 1:

**Turn Signal Multifunction Switch Replacement****Removal Procedure**

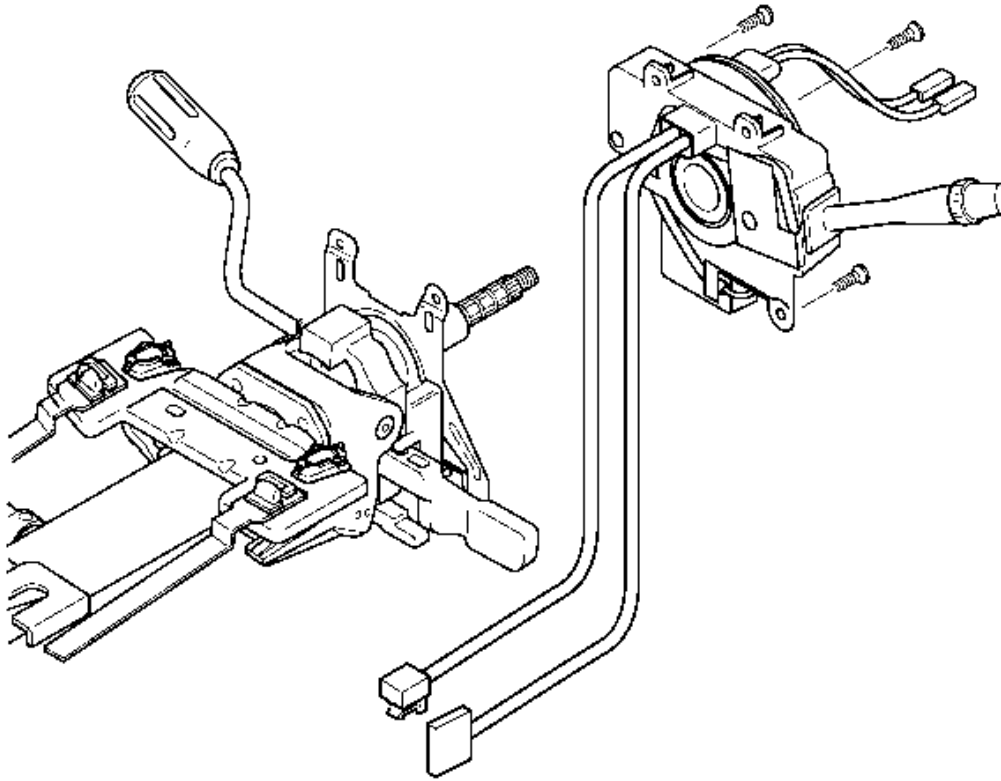
**Important:** The turn signal multifunction switch and Inflatable restraint steering wheel module coil are serviced as an assembly.

1. Remove the steering wheel. Refer to [Steering Wheel Replacement](#).
2. Remove the steering column trim covers. Refer to [Steering Column Trim Cover Replacement](#).
3. Disconnect any electrical connectors and remove the wiring harness from any retainers as needed.



4. Remove the [turn signal multifunction switch](#) bolts.
5. Slide the multifunction [turn signal switch](#) off of the steering column.

### **Installation Procedure**



**Important:** A new multifunction [turn signal switch](#) will come precentered with a centering tab attached. NOT remove the centering tab until installation is complete. Failure to follow procedure will cause a misalignment of the multifunction [turn signal switch](#) and centering will be required.

If reusing the existing multifunction [turn signal switch](#), you must center it. Refer to [Inflatable Restraint Steering Wheel Module Coil Centering](#).

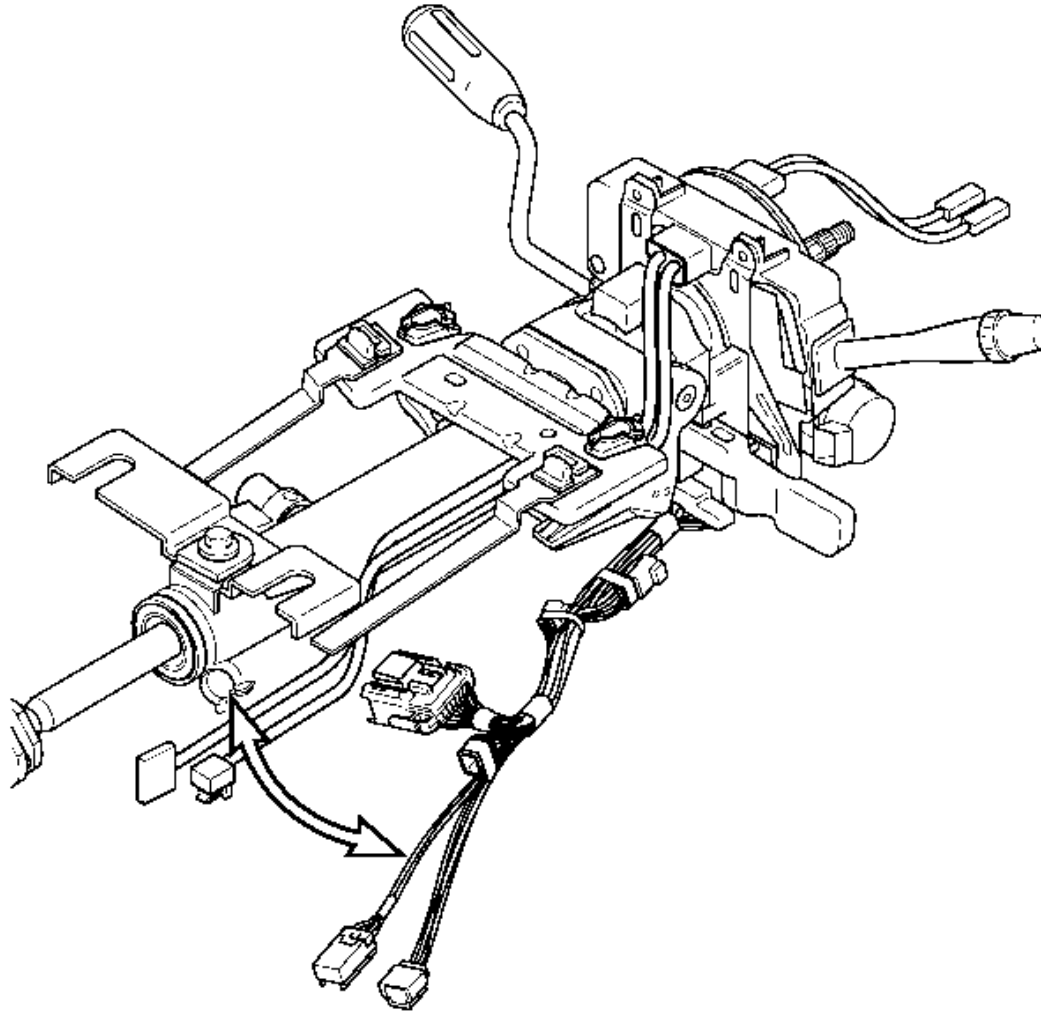
1. Slide the multifunction [turn signal switch](#) onto the steering column.

**Notice:** Refer to [Fastener Notice](#).

2. Install the multifunction [turn signal switch](#) bolts.

Tighten:

Tighten the bolts to 4.5 [n-m] (40 lb in).



3. Connect any electrical connectors and install the wiring harness through any retainers as needed.
4. Remove the centering tab from the multifunction [turn signal switch](#).
5. Install the steering column trim covers. Refer to [Steering Column Trim Cover Replacement](#).
6. Install the steering wheel. Refer to [Steering Wheel Replacement](#).

---

"Portions of materials contained herein have been reprinted with permission of General Motors Corporation, and Parts Operations" License Agreement #0410810.

Copyright 2007 - 2012 Service Repair Solutions, Inc.