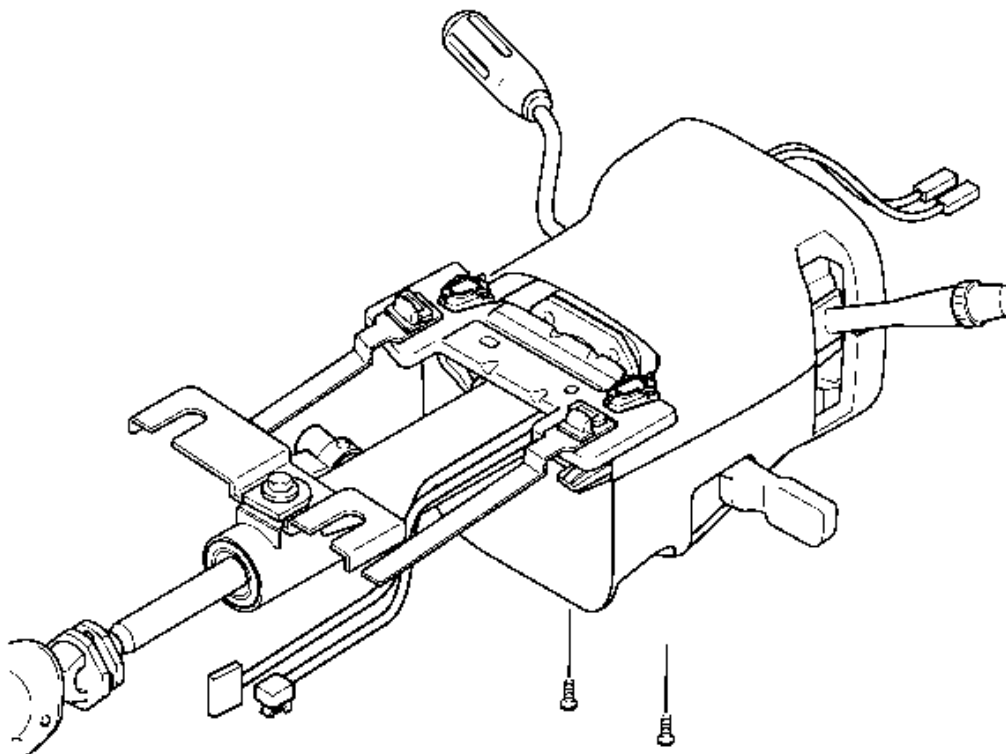


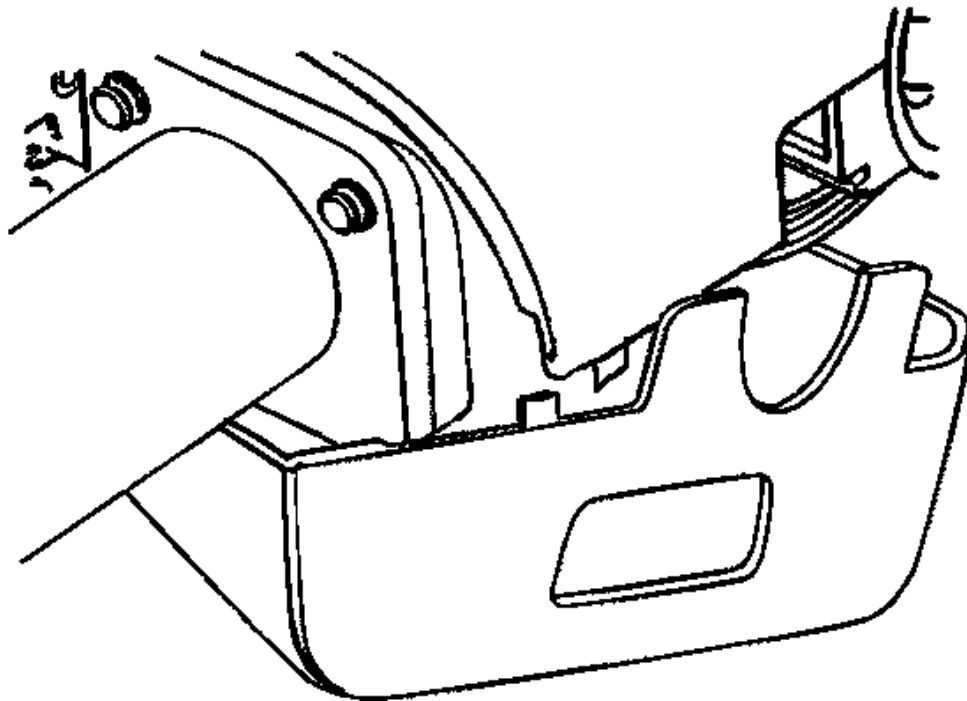
TURN SIGNAL MULTIFUNCTION SWI...

STEERING COLUMN TRIM COVER REPLACEMENT (STEERING WHEEL AND COLUMN)

Document ID# 1:

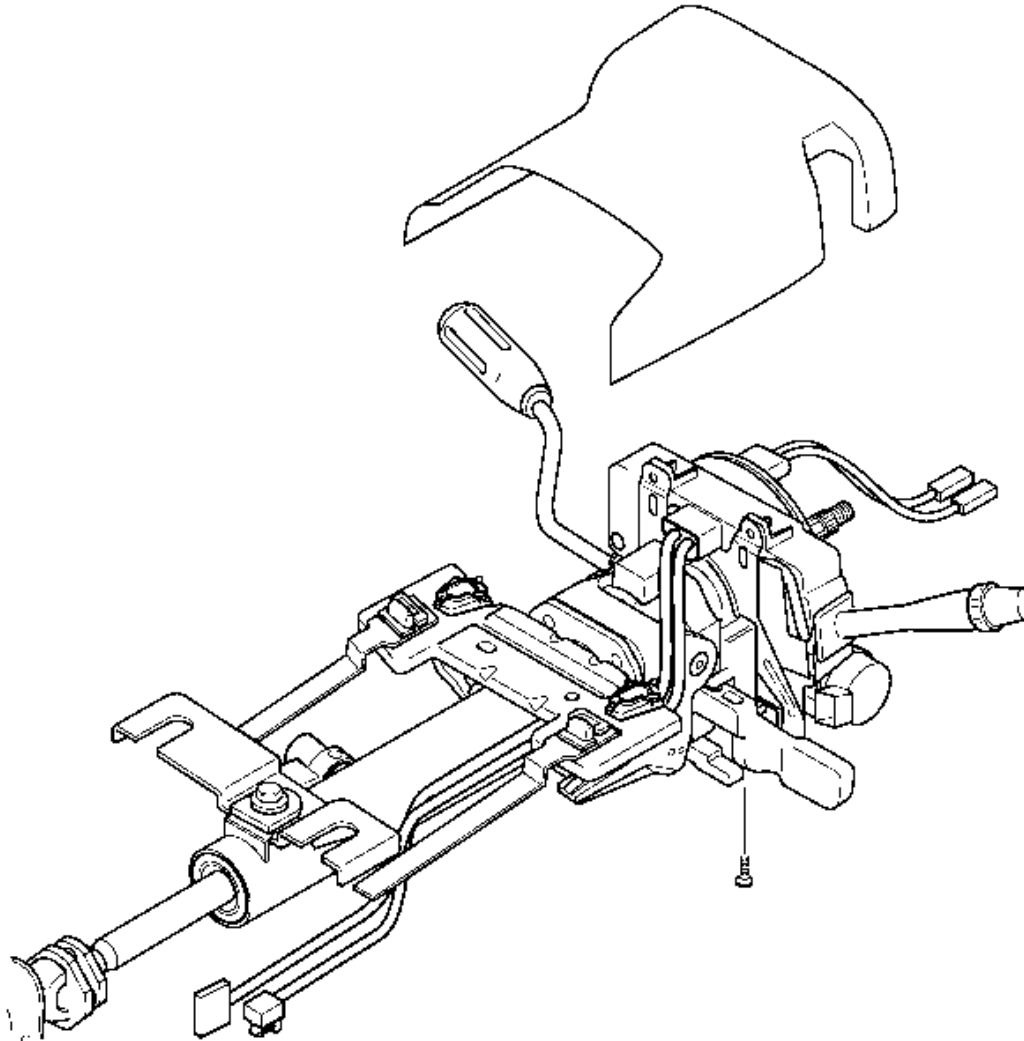
Steering Column Trim Cover Replacement**Removal Procedure**

1. Remove the driver knee bolster. Refer to [Driver Knee Bolster Replacement \(Left Hand Drive\)](#)[Driver Bolster Replacement \(Right Hand Drive\)](#).
2. Remove the lower steering column trim cover bolts.

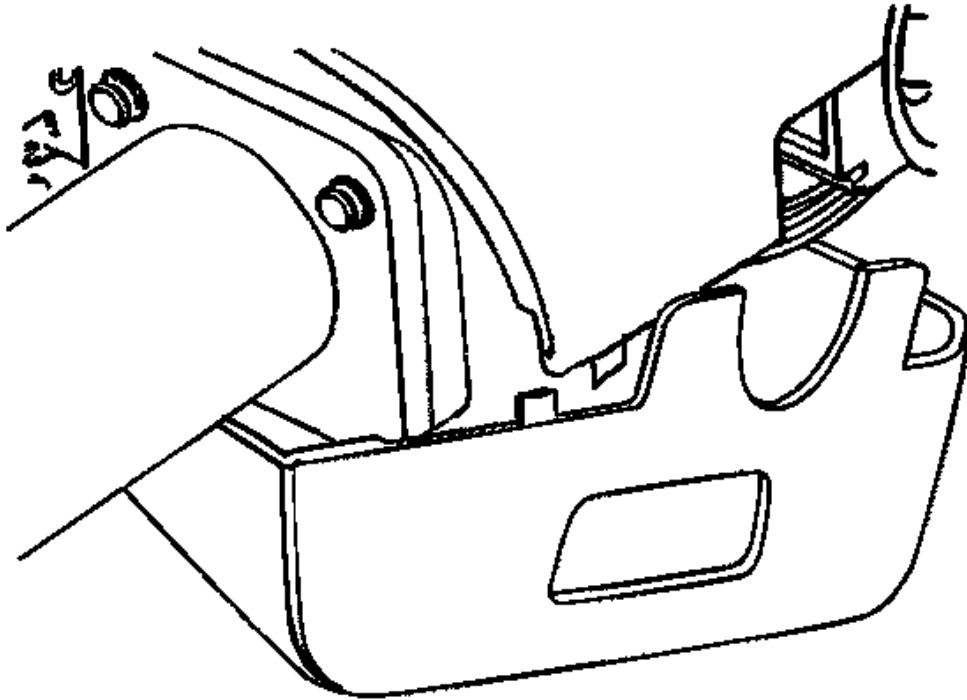


3. Gently unsnap the upper the upper and lower steering column trim covers and remove them.

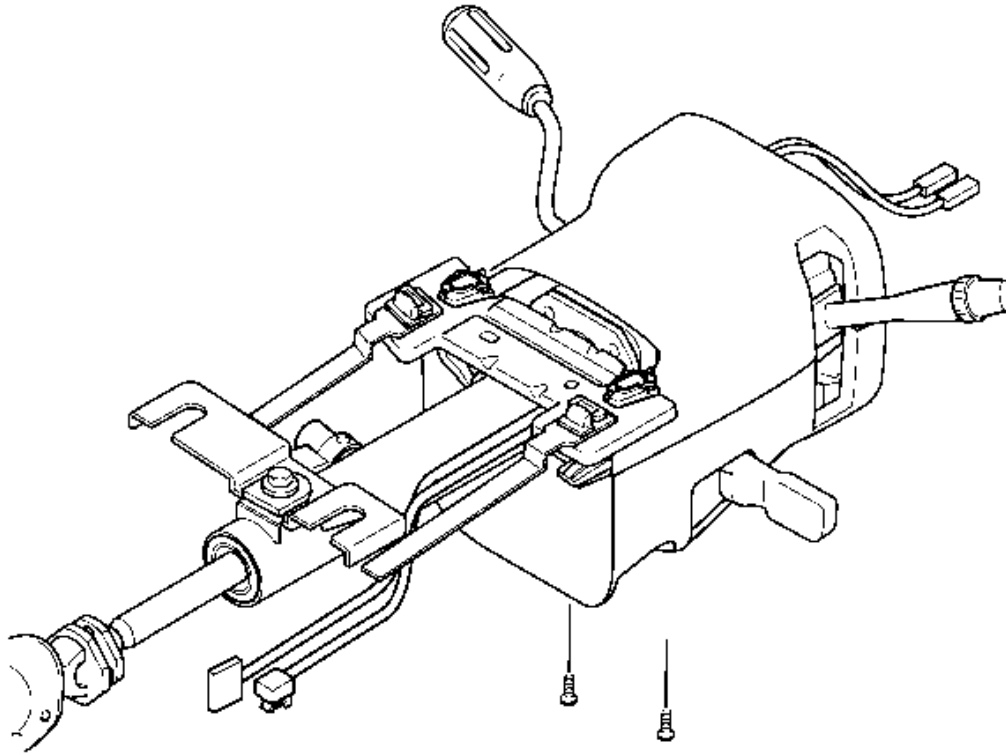
Installation Procedure



1. Place the upper steering column trim covers onto the steering column.



2. Gently snap the lower and upper steering column trim covers together.



Notice: Refer to [Fastener Notice](#).

3. Install the lower steering column trim cover bolts.

Tighten:

Tighten the bolts to 3.5 [n-m] (31 lb in).

4. Install the driver knee bolster. Refer to [Driver Knee Bolster Replacement \(Left Hand Drive\)](#)[Driver Knee Bolster Replacement \(Right Hand Drive\)](#).

"Portions of materials contained herein have been reprinted with permission of General Motors Corporation, and Parts Operations" License Agreement #0410810.

Copyright 2007 - 2012 Service Repair Solutions, Inc.