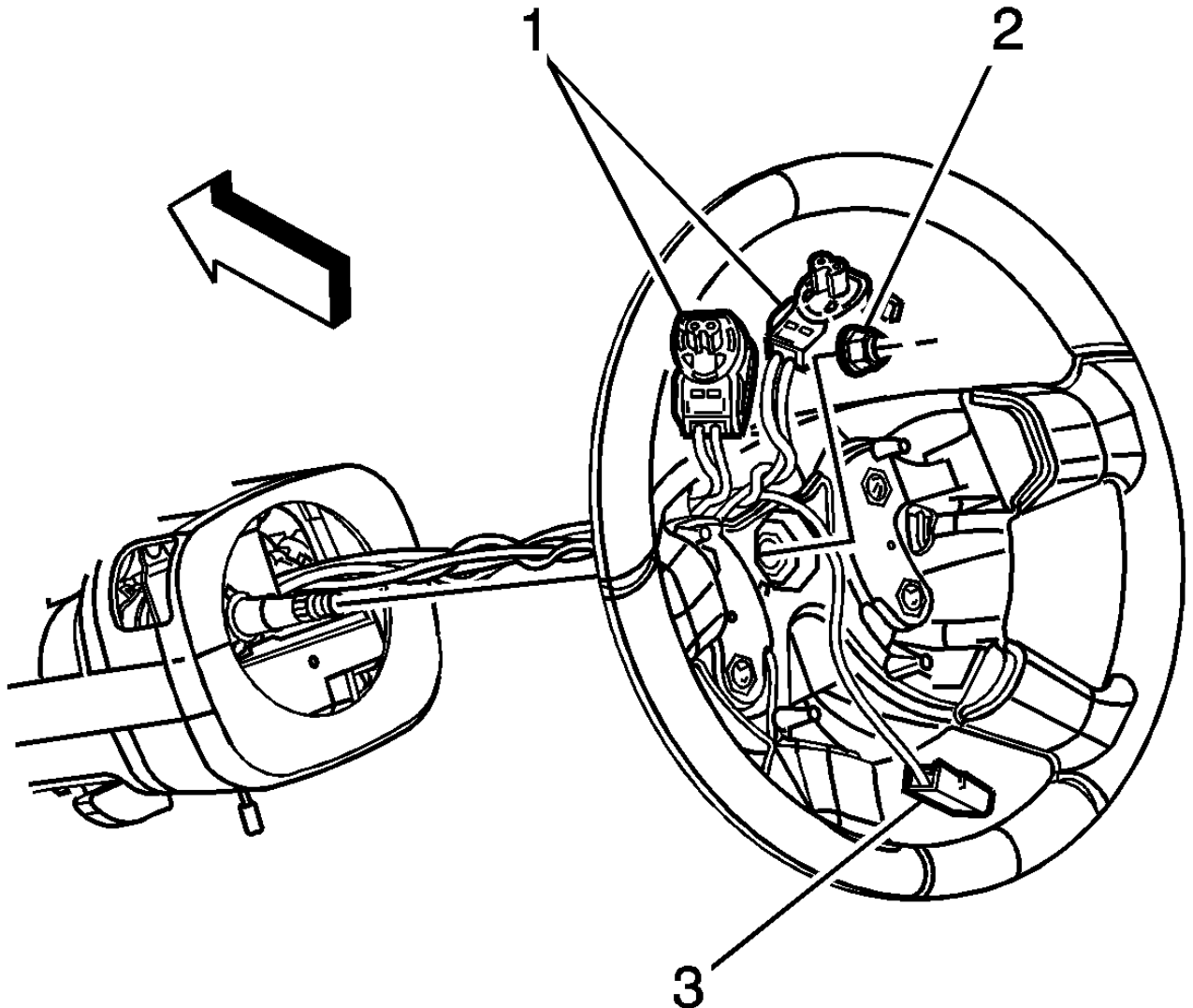


MULTIFUNCTION TURN SIGNAL SWI...

STEERING WHEEL REPLACEMENT (STEERING WHEEL AND COLUMN)

Document ID# 1:

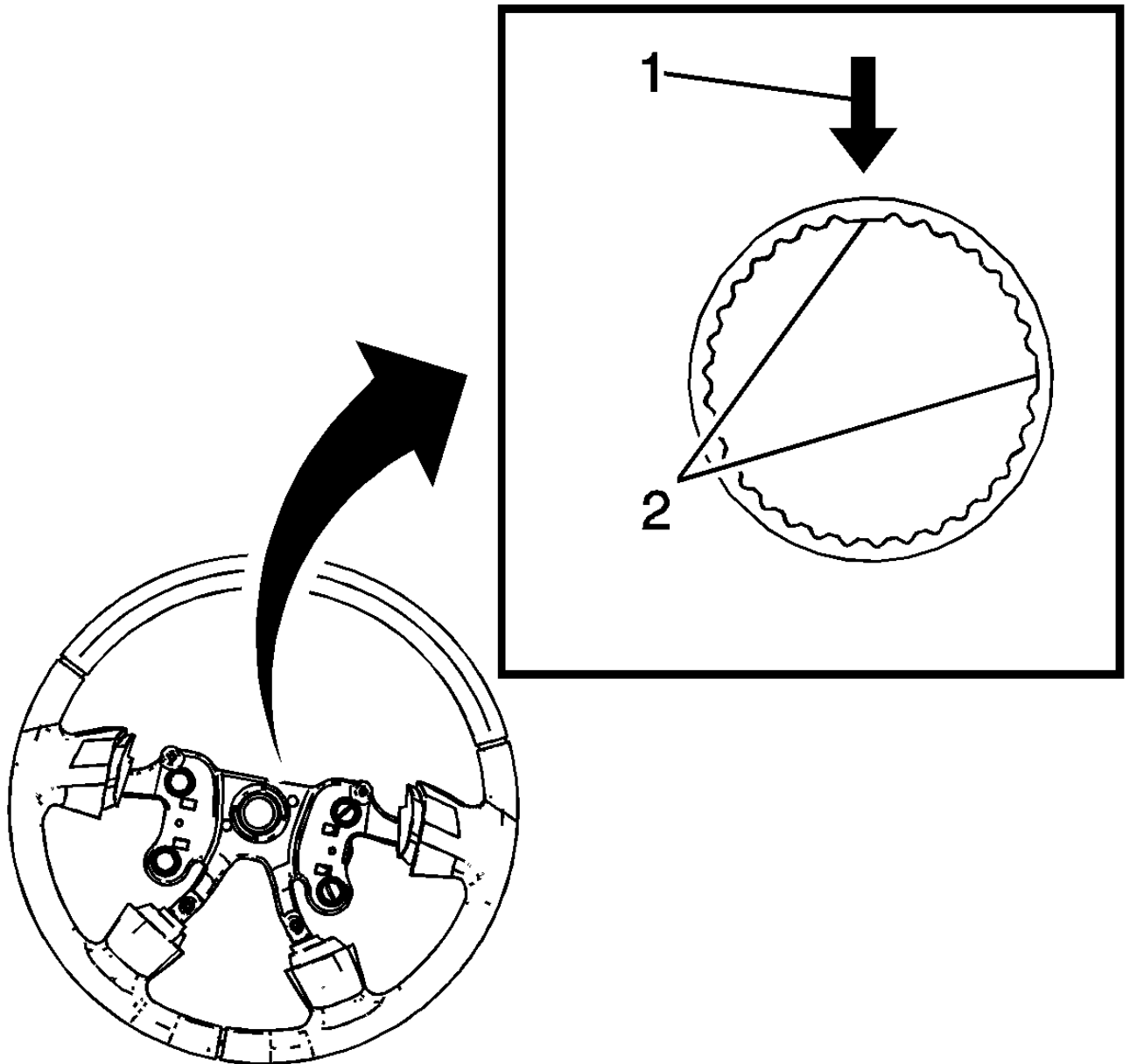
Steering Wheel Replacement**Tools Required**[J 42640](#) Steering Column Anti-Rotation Pin**Removal Procedure**

1. Set the front wheels in the straight-ahead position.
2. Lock the steering column through the access hole in the lower steering column trim cover using anti rotation pin [J 42640](#).
3. Remove the inflatable restraint steering wheel module. Refer to [Steering Wheel Inflatable Restraint Module Replacement](#).
4. Make alignment marks in order to note the relationship between the steering wheel and the steering shaft.

5. Loosen the steering wheel nut 2 complete rotations.
6. Carefully pull on the steering wheel until it comes loose from the steering column.
7. Remove the steering wheel nut (2).
8. Remove the steering wheel from the steering column using caution to guide the electrical connectors (1,3) through it without damaging them.

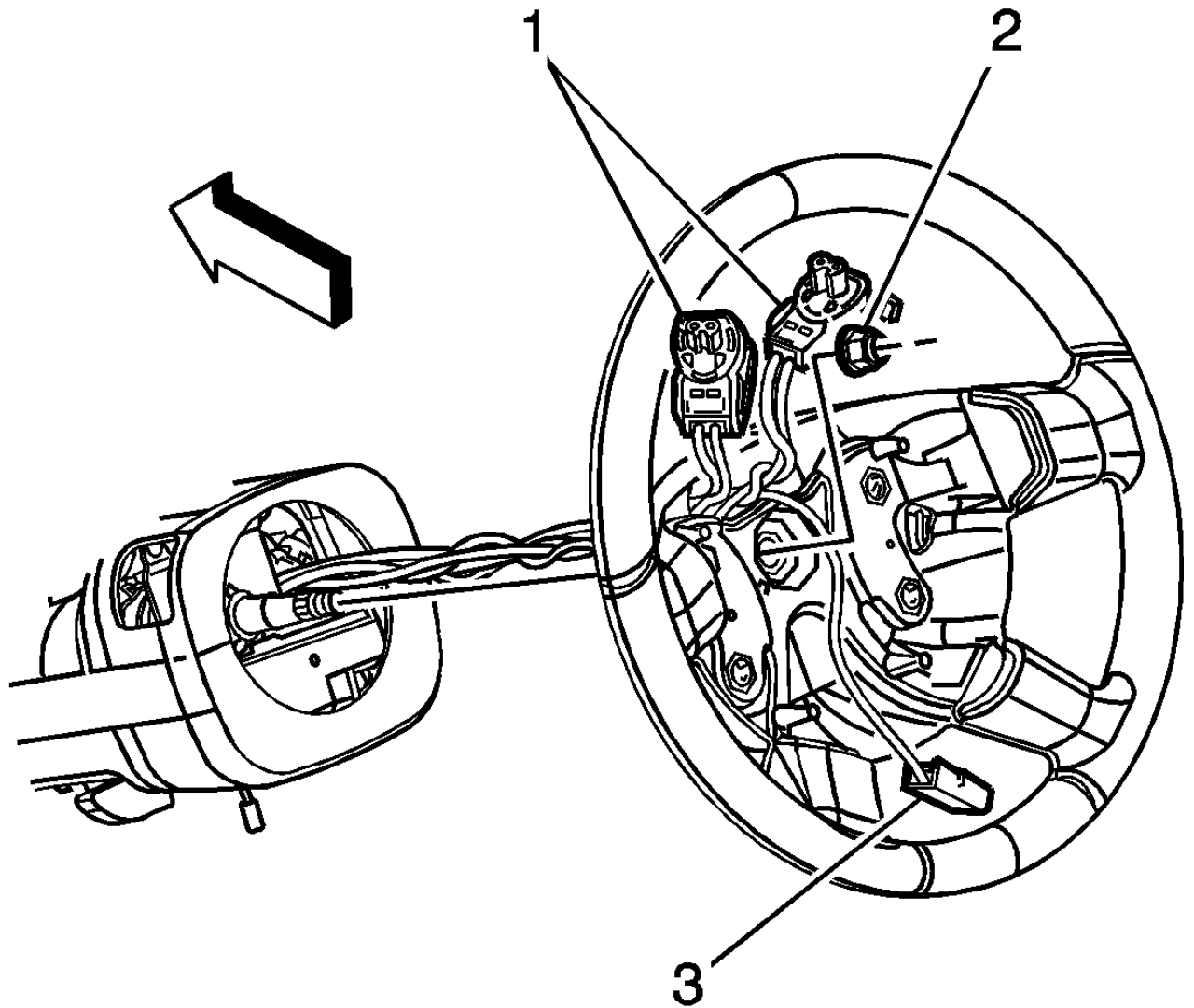
Installation Procedure

Notice: Improper alignment of the steering wheel to the steering column shaft will cause vehicle damage. In order to prevent vehicle damage, ensure that the steering wheel is properly indexed to the steering column by tightening the steering wheel nut.



1. If installing a new steering wheel perform the following:
 - 1.1. Ensure the front wheels are still set in the straight-ahead position.
 - 1.2. Position the steering wheel near the steering shaft with the arrow (1) at the 12 o'clock position.
 - 1.3. Ensure that proper tooth alignment between the steering wheel and the steering shaft has been achieved (2).
2. If installing the original steering wheel perform the following:

- 2.1. Position the steering wheel to the steering column.
- 2.2. Align the marks made during the removal of the steering wheel.



3. Ensure the electrical connectors (1,3) are not pinched between the steering column and the steering wheel.

Notice: Refer to [Fastener Notice](#).

4. Install the steering wheel nut (2).

Tighten:

Tighten the nut to 35 [n-m] (26 lb ft).

5. Install the inflatable restraint steering wheel module. Refer to [Steering Wheel Inflatable Restraint M Replacement](#).
6. Remove anti-rotation pin [J 42640](#).

"Portions of materials contained herein have been reprinted with permission of General Motors Corporation, and Parts Operations" License Agreement #0410810.

Copyright 2007 - 2012 Service Repair Solutions, Inc.
