

GROUNDS

GROUNDS LOCATION

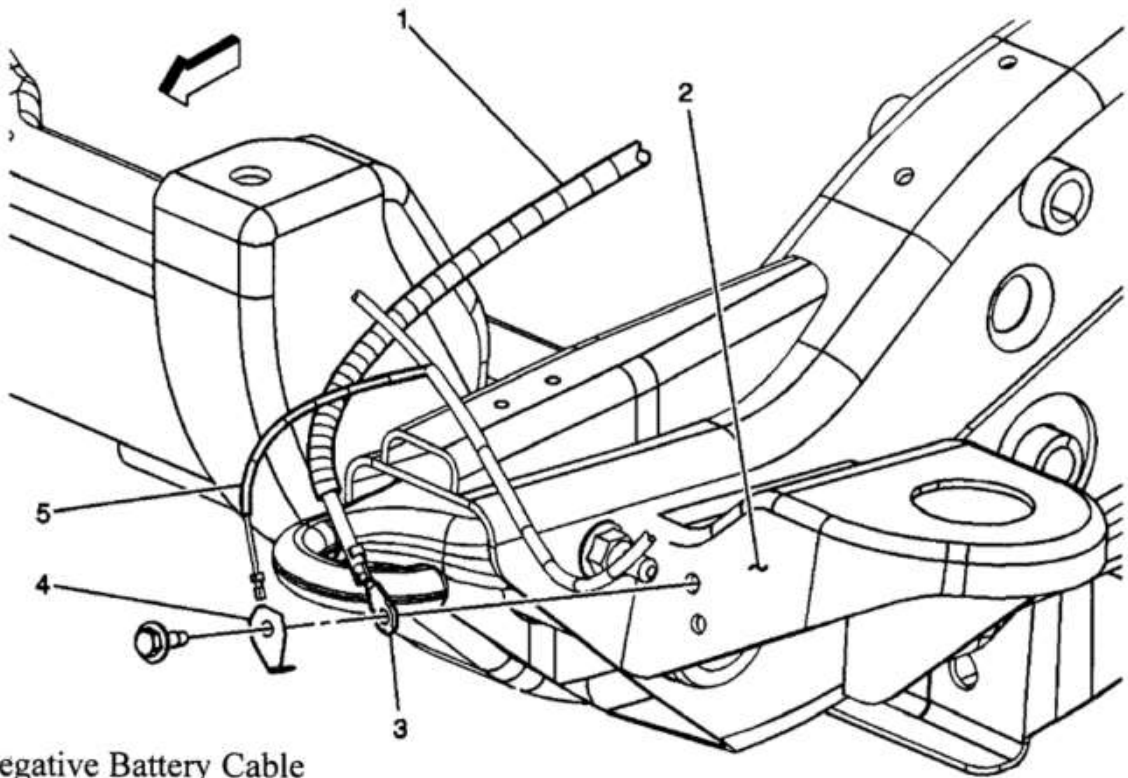
Component	Location
Fuel Tank Filler Ground	At left rear frame body mount. See Fig. 23 .
G100	At left side of engine compartment. See Fig. 46 .
G100-Forward Lamp Harness	On left front frame body mount. See Fig. 10 .
G100-Negative Battery Cable	On left front frame body mount. See Fig. 10 .
G102-Engine Harness Ground	At left front side of engine block. See Fig. 12 .
G102-Negative Battery Cable	At left front side of engine block. See Fig. 12 .
G103	At top right rear of engine. See Fig. 53 .
G103-Engine Harness Ground	At top right rear of engine. See Fig. 11 .
G104	At top left rear of engine. See Fig. 11 .
G105-Engine Harness Ground	At lower left side of engine. See Fig. 78 .
G105-Negative Battery Cable	At lower left side of engine. See Fig. 78 .
G106	At right rear of engine compartment, on forward dash panel. See Fig. 13 .
G200	On left side of dash, near left kick panel. See Fig. 14 .
G203	At lower right side of dash, near right kick panel. See Fig. 15 .
G300	On left side body mount, in front of driver door. See Fig. 8 .
G302	At left inner center "B" pillar. See Fig. 18 .
G304	Under passenger seat. See Fig. 19 .
G306	At right inner center "B" pillar. See Fig. 20 .
G308	At right frame body mount, near right rear door. See Fig. 21 .
G310	At left body mount. See Fig. 22 .
G401	At left rear frame body mount. See Fig. 23 .
G402	Attached to front of air suspension mounting bracket. See Fig. 91 .
G405	At right rear frame body mount. See Fig. 24 .
G410	On right rear inner side body panel. See Fig. 25 .



- (1) S304
- (2) G300
- (3) Chassis Harness
- (4) Electronically Controlled Air Suspension Relay

G00262083

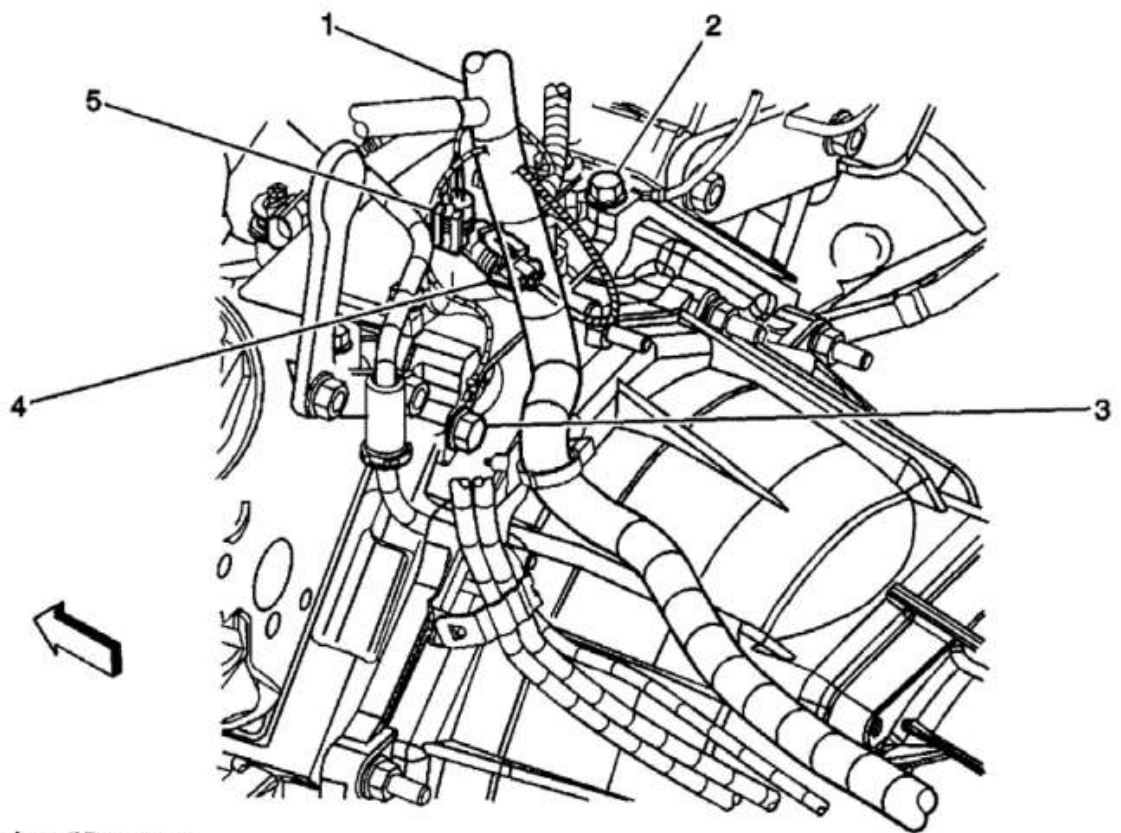
Fig. 8: Left Rear Frame Rail



- (1) Negative Battery Cable
- (2) Left Front Frame Rail
- (3) G100-Negative Battery cable
- (4) G100-Forward Lamp Harness
- (5) Forward Lamp Harness

G00262085

Fig. 10: Left Front Frame Rail



- (1) Engine Harness
- (2) G103-Engine Harness Ground
- (3) G104
- (4) Camshaft Position (CMP) Sensor Connector
- (5) Engine Oil Pressure (EOP) Sensor Connector

G00262086

Fig. 11: Left Rear Of Engine

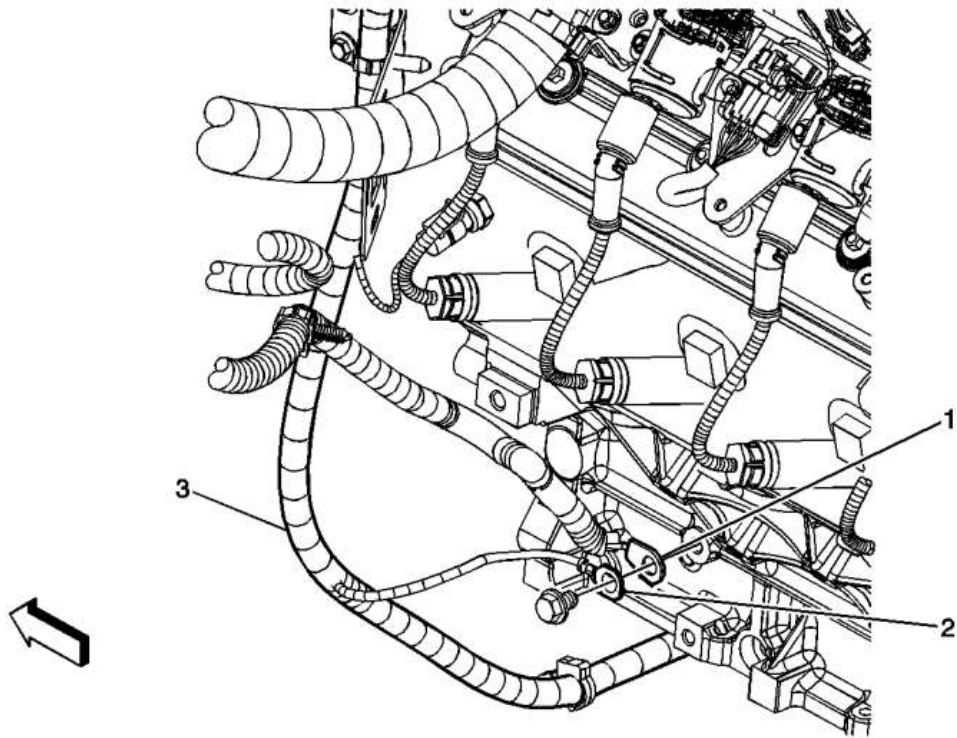


Fig. 12: G102 Component Views

Callouts For Fig. 12

Callout	Component Name
1	G102 - Negative Battery Cable
2	G102 - Engine Harness Ground
3	Engine Harness

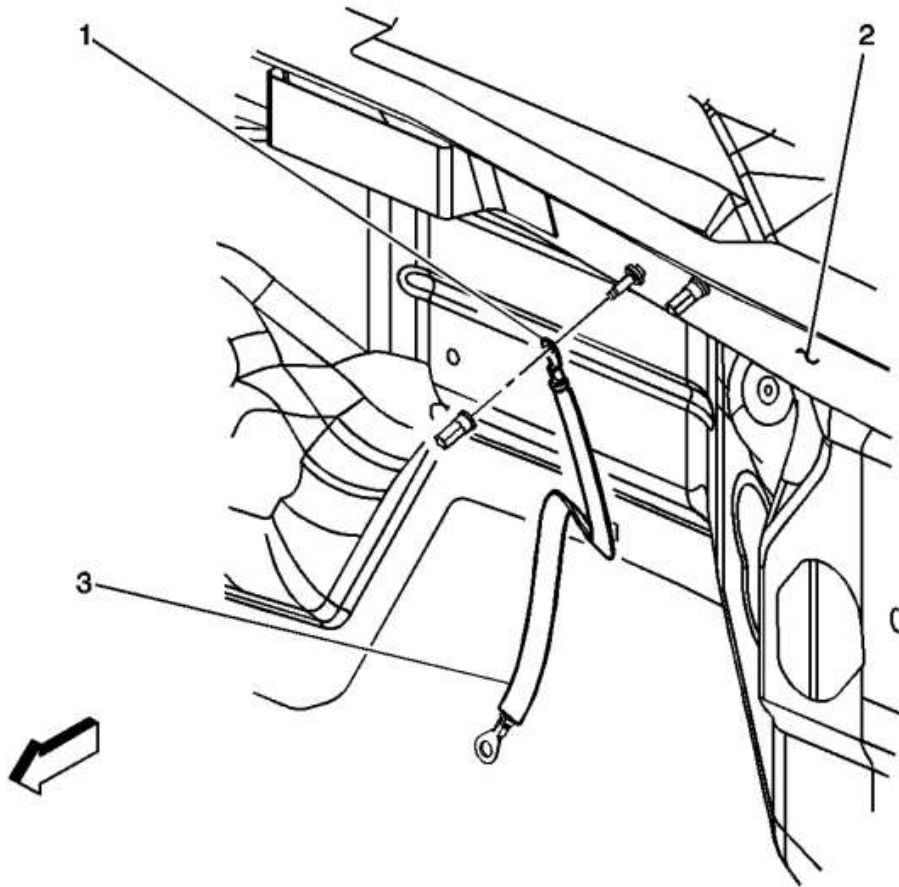


Fig. 13: G106 Component View

Callouts For Fig. 13

Callout	Component Name
1	G106
2	Dash Panel
3	Engine Ground Strap

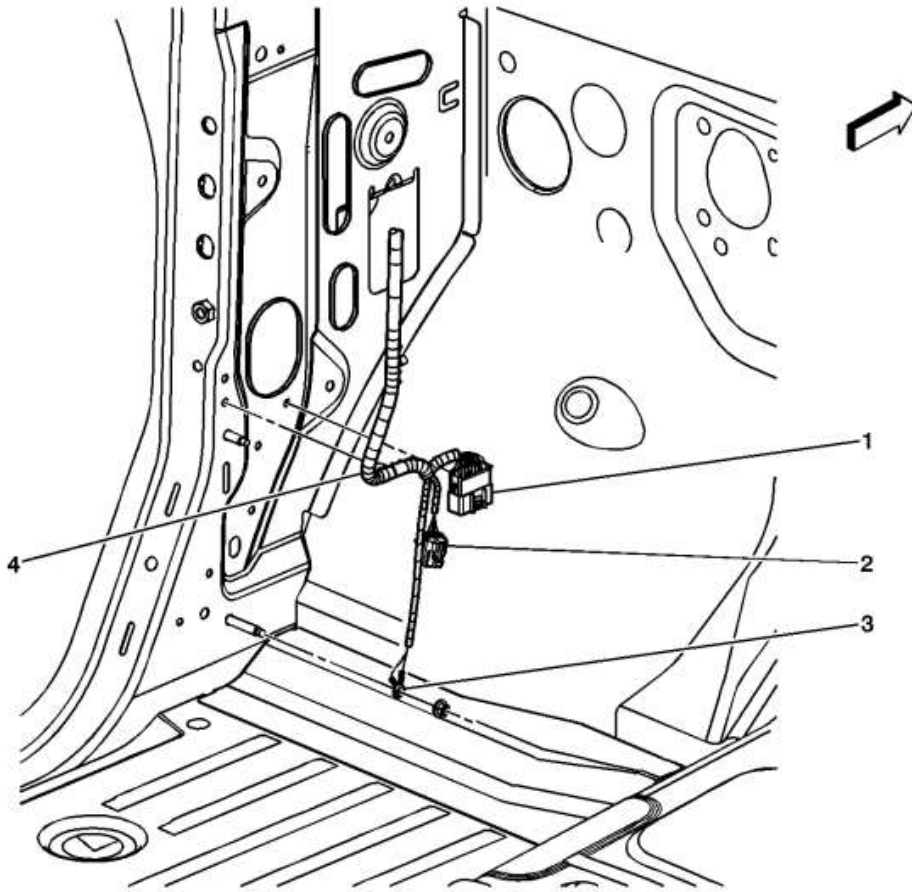


Fig. 14: G200 Component View

Callouts For Fig. 14

Callout	Component Name
1	C200 - I/P Harness Side
2	C201 - I/P Harness Side
3	G200
4	I/P Harness

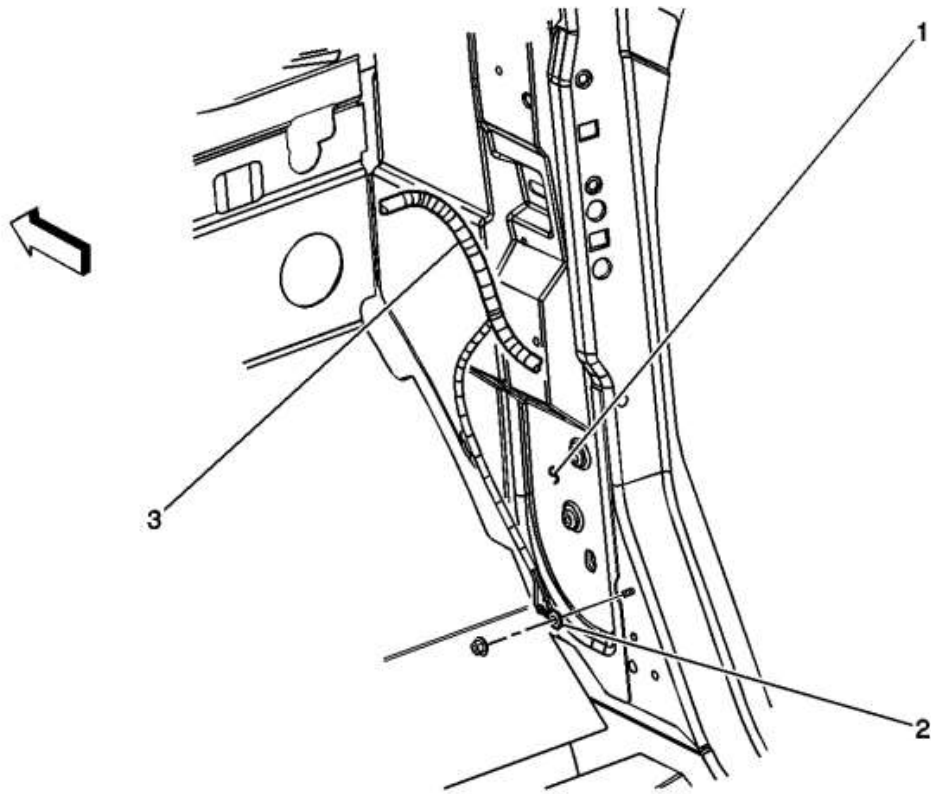
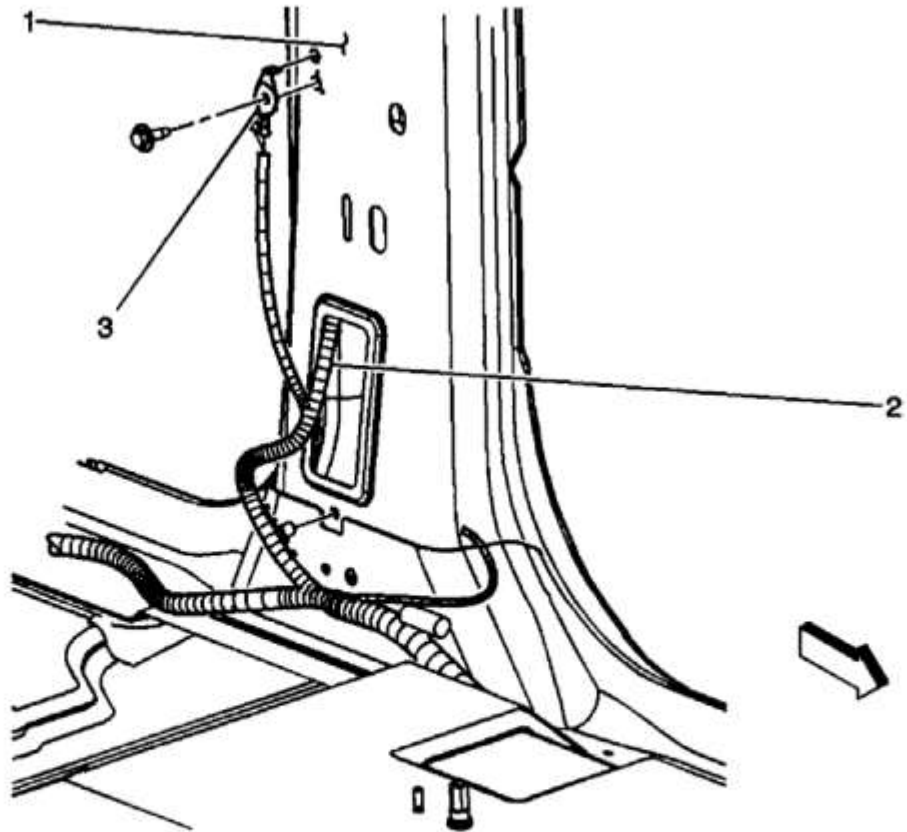


Fig. 15: G203 Component View

Callouts For Fig. 15

Callout	Component Name
1	Cowl Panel Insulator
2	G203
3	HVAC Harness



- (1) B Pillar
- (2) Body Harness
- (3) G302

G00262095

Fig. 18: Left "B" Pillar



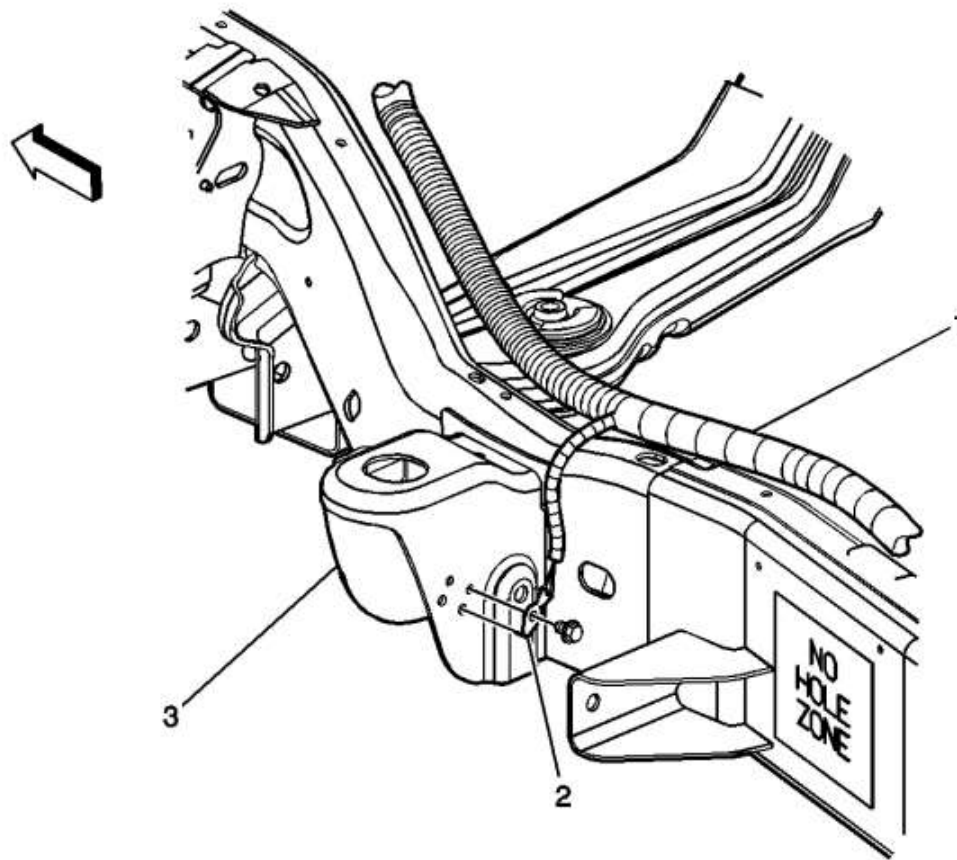


Fig. 19: G300 Component View

Callouts For Fig. 19

Callout	Component Name
1	Chassis Harness
2	G300
3	Left Frame Body Mount

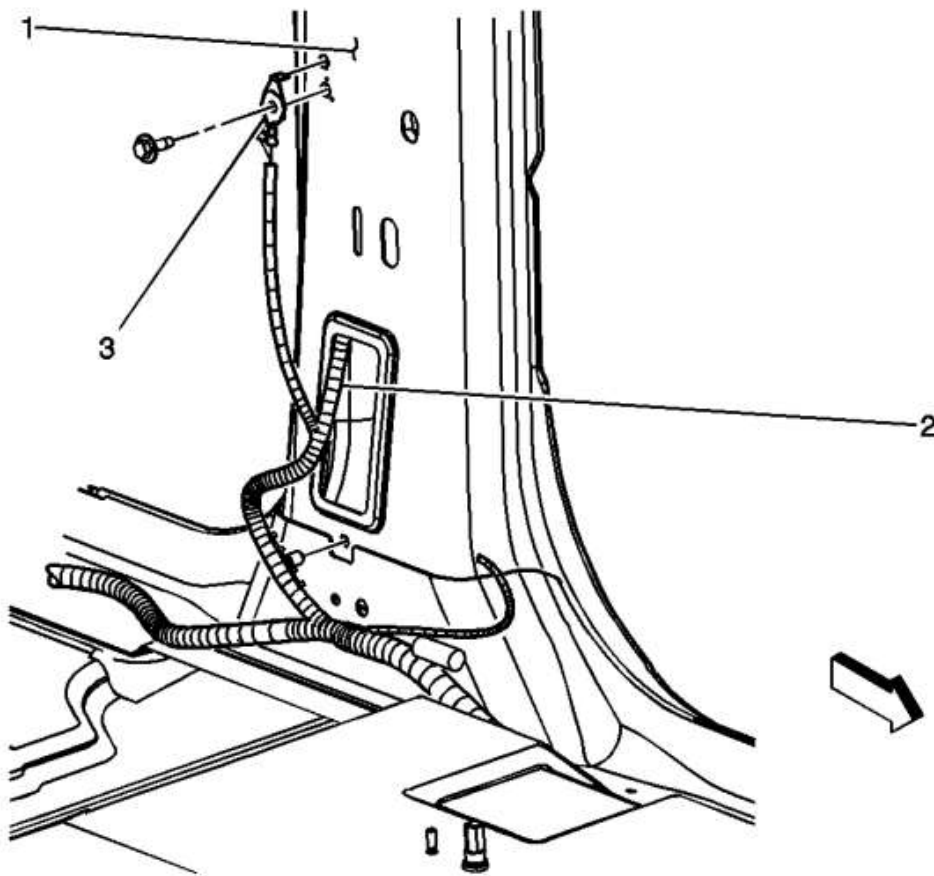


Fig. 20: G302 Component Views

Callouts For Fig. 20

Callout	Component Name
1	B Pillar
2	Body Harness
3	G302

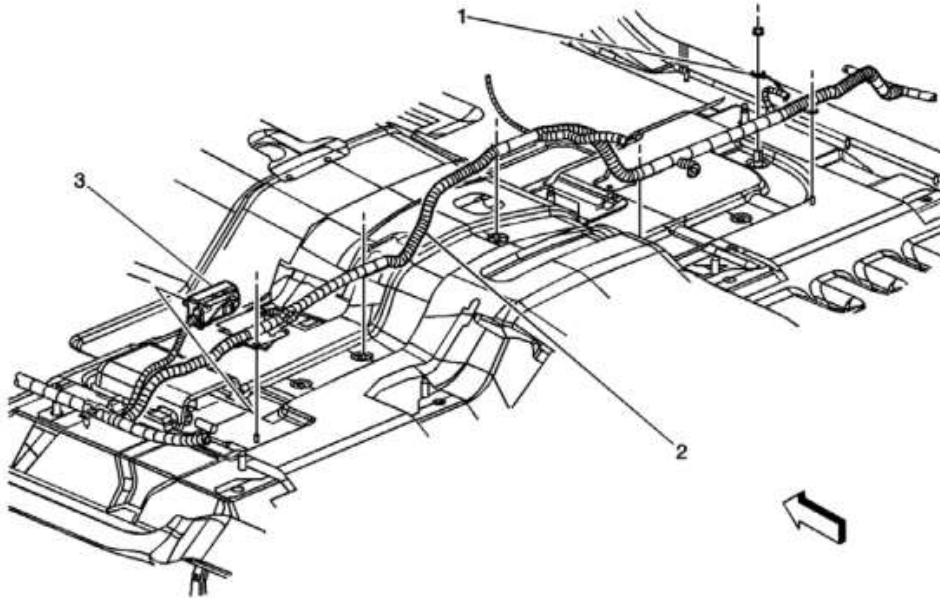


Fig. 21: G304 Component View

Callouts For Fig. 21

Callout	Component Name
1	G304
2	Body Harness
3	Inflation Restraint and Diagnostic Module (SDM) Connector

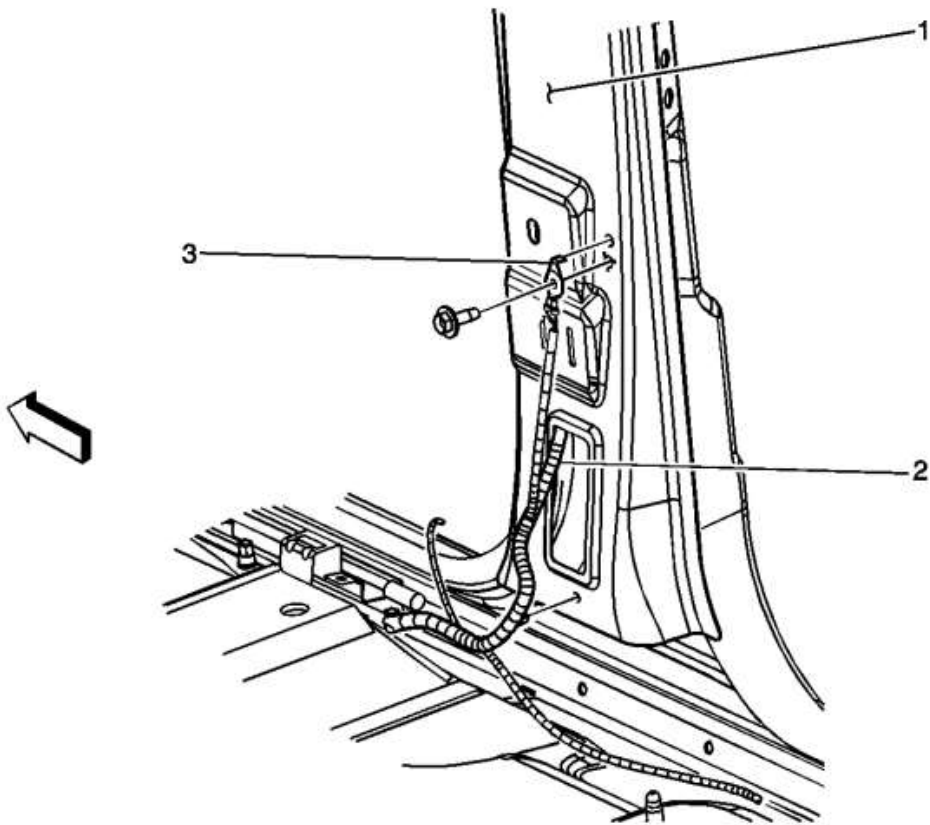


Fig. 22: G306 Component View

Callouts For Fig. 22

Callout	Component Name
1	B Pillar
2	Body Harness
3	G306

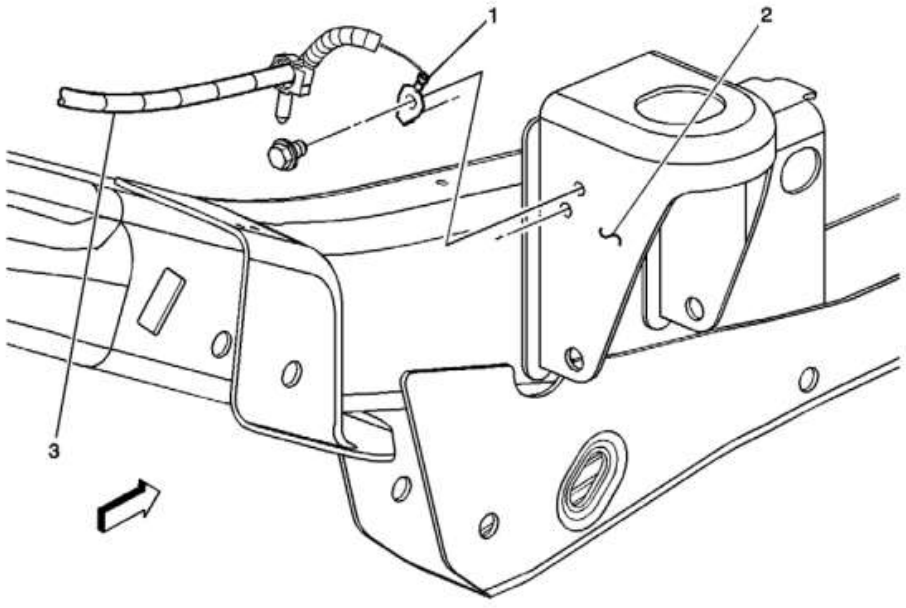


Fig. 23: G308 Component View

Callouts For Fig. 23

Callout	Component Name
1	G308
2	Body Mount - RH
3	Chassis Harness

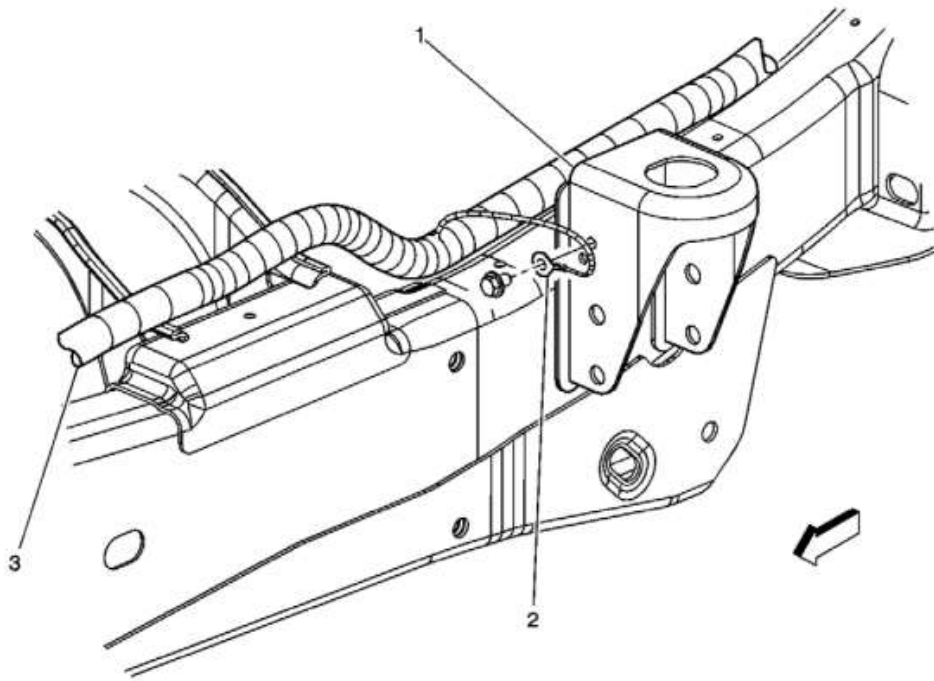


Fig. 24: G310 Component View

Callouts For Fig. 24

Callout	Component Name
1	Body Mount - LH
2	G310
3	Chassis Harness

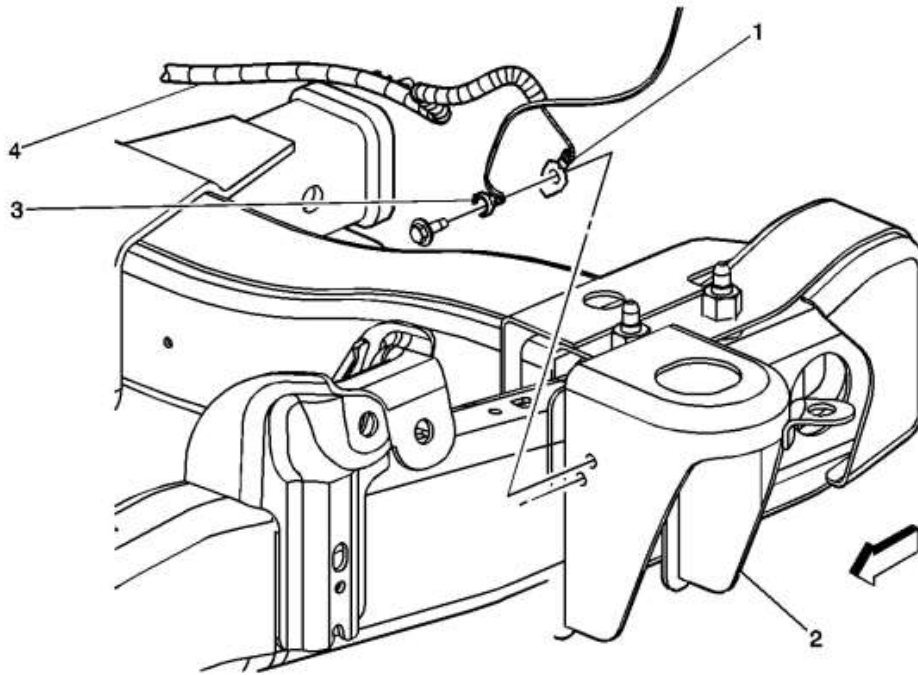
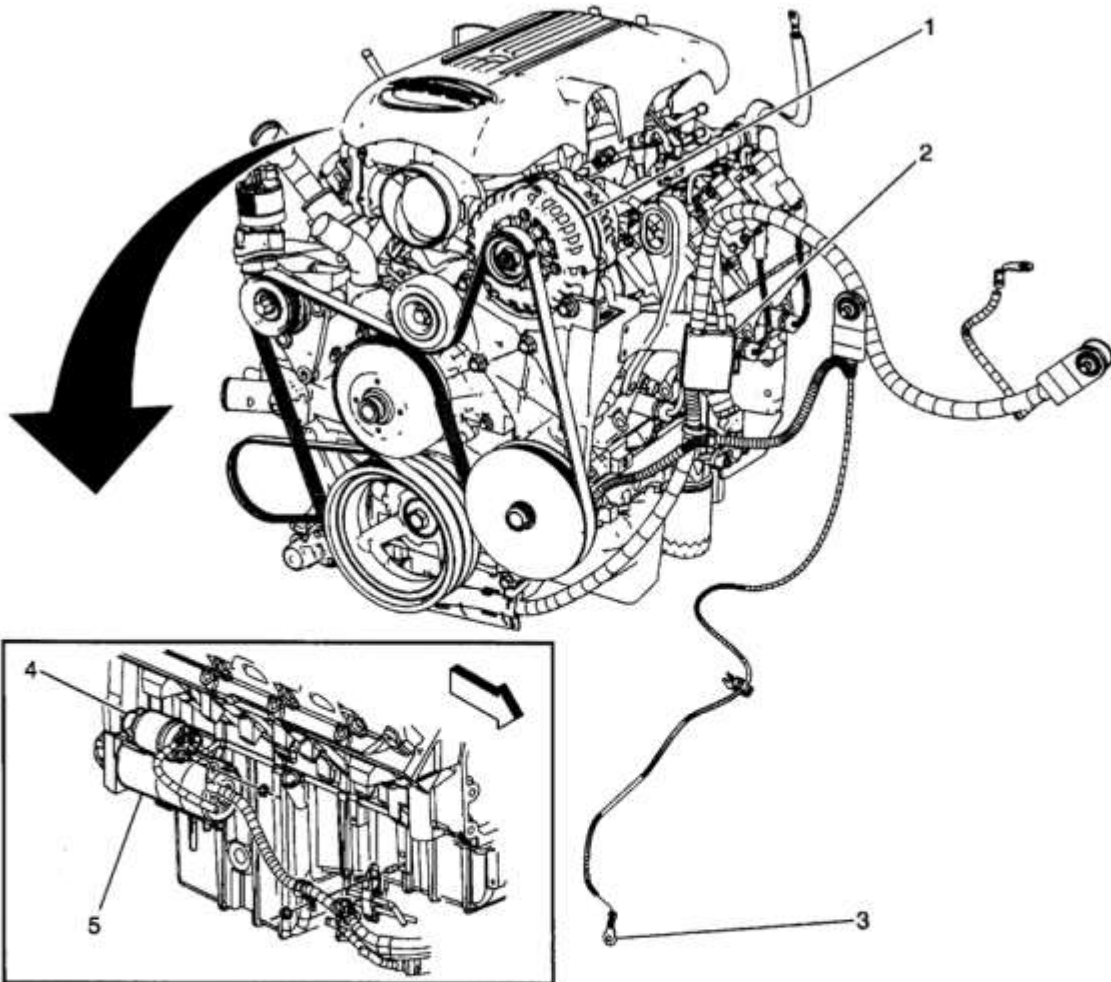


Fig. 25: G401 Component View

Callouts For Fig. 25

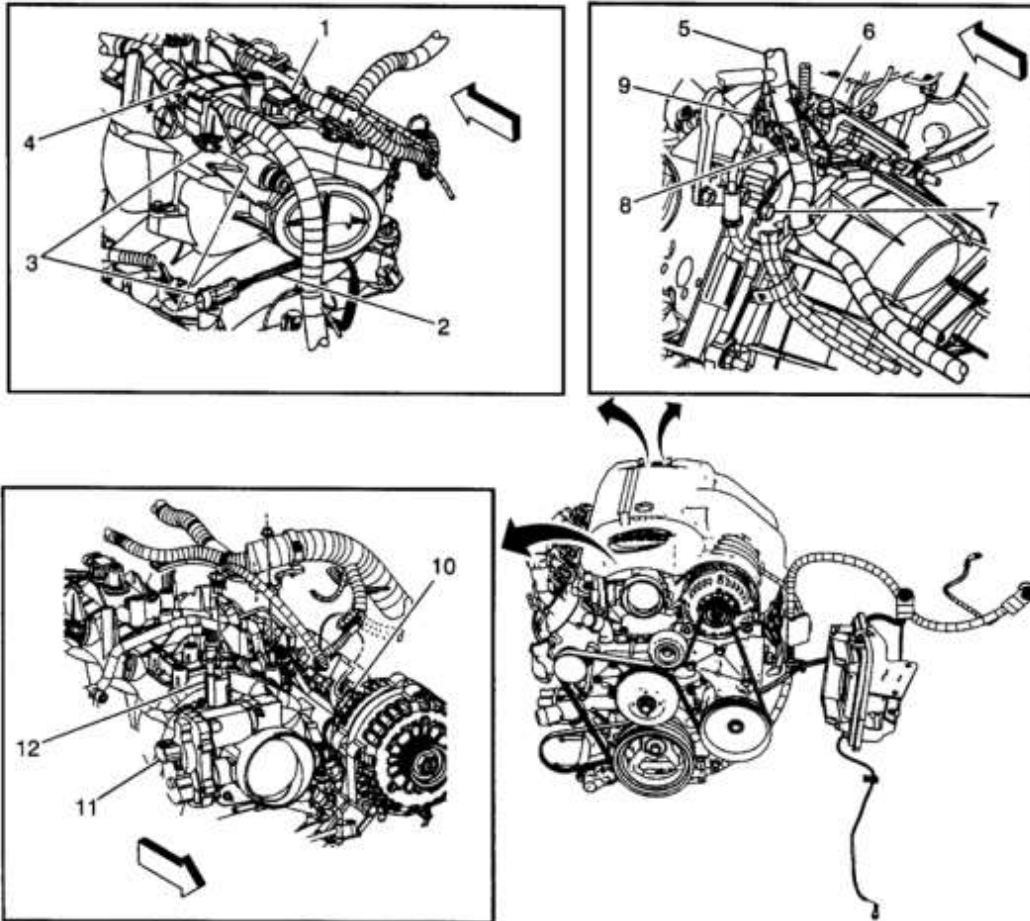
Callout	Component Name
1	G401
2	Body Mount - LH
3	Fuel Tank Filler Ground
4	Chassis Harness



- (1) Generator
- (2) Junction Block - Battery Cable
- (3) G100
- (4) Starter Solenoid
- (5) Starter

G00262127

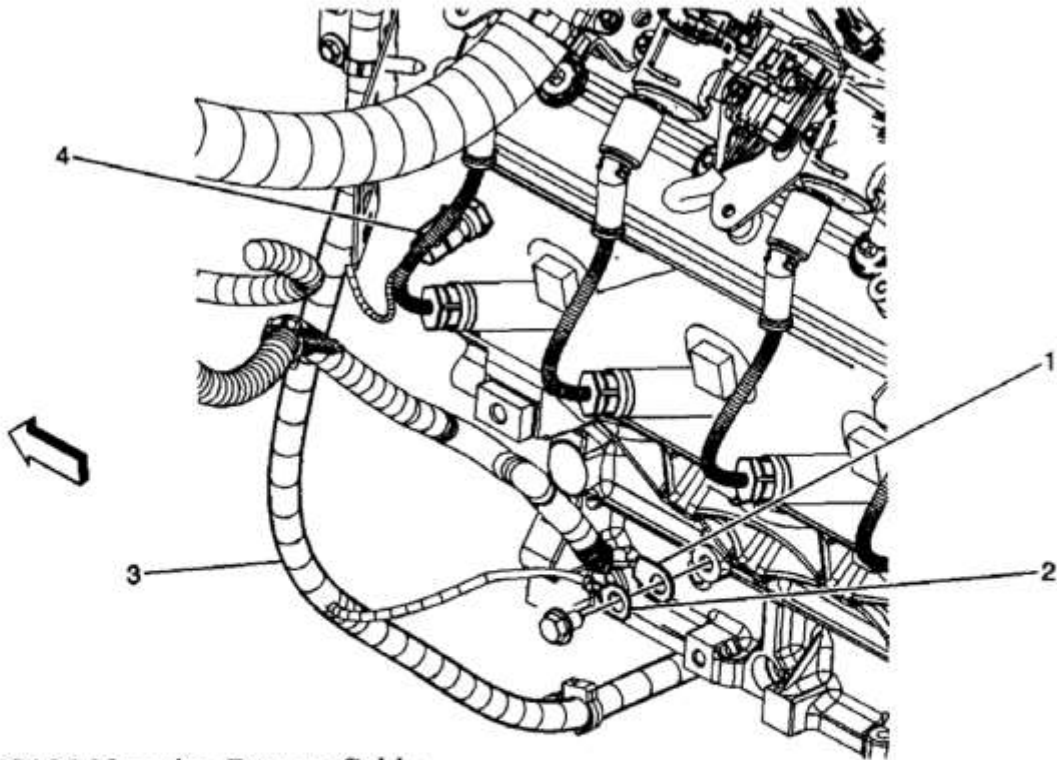
Fig. 46: Left Side & Right Rear Of Engine



- (1) Manifold Absolute Pressure (MAP) Sensor
- (2) Knock Sensor Pigtail
- (3) C115
- (4) Engine Harness
- (5) Engine Harness
- (6) G103
- (7) G104
- (8) Camshaft Position (CMP) Sensor Connector
- (9) Engine Oil Pressure (EOP) Sensor Connector
- (10) Generator
- (11) Throttle Body Connector
- (12) Evaporative Emission (EVAP) Canister Purge Solenoid

G00262134

Fig. 53: Right Rear, Left Rear & Front Of Engine



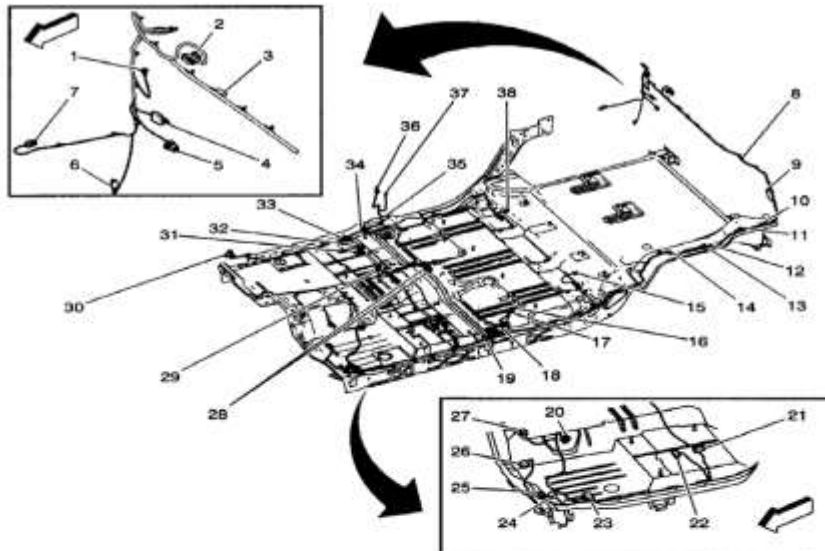
- (1) G105-Negative Battery Cable
- (2) G105-Engine Harness Ground
- (3) Engine Harness
- (4) Engine Coolant Temperature (ECT) Sensor

G00262165

Fig. 78: Left Side Of Engine

Fig. 91: Chassis (2 Of 2)

Courtesy of GENERAL MOTORS CORP.



- (1) Speaker Right D Pillar Tweeter Connector
- (2) C420
- (3) S480
- (4) Splice Pack SP410
- (5) Door Lock Switch Rear Cargo Connector
- (6) Accessory Power Outlet-Rear Connector
- (7) Marker Lamp-RR Connector
- (8) Clearance Lamp-RR Connector
- (9) Speaker-Left D Pillar Tweeter Connector
- (10) S411
- (11) Marker Lamp-LR Connector
- (12) S412
- (13) C312 (C69)
- (14) S307 (C69)
- (15) C320 (ZM6)
- (16) G302

00058541