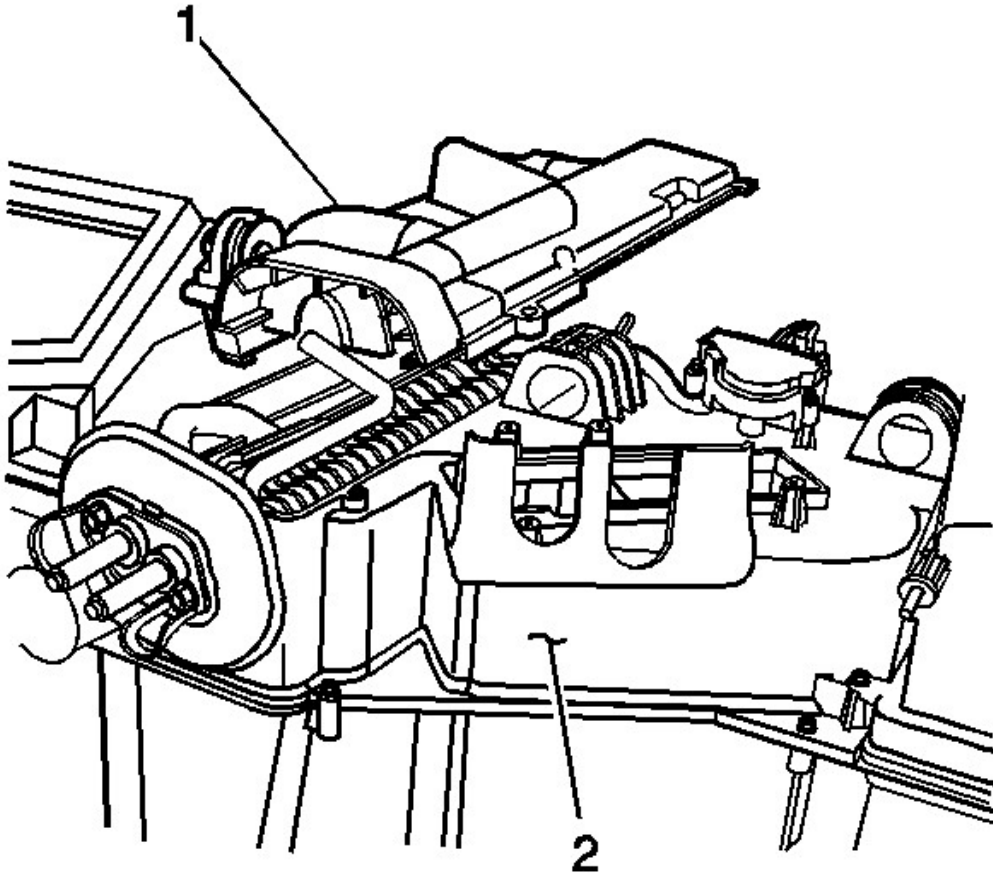


# Air Conditioning Evaporator Core Replacement

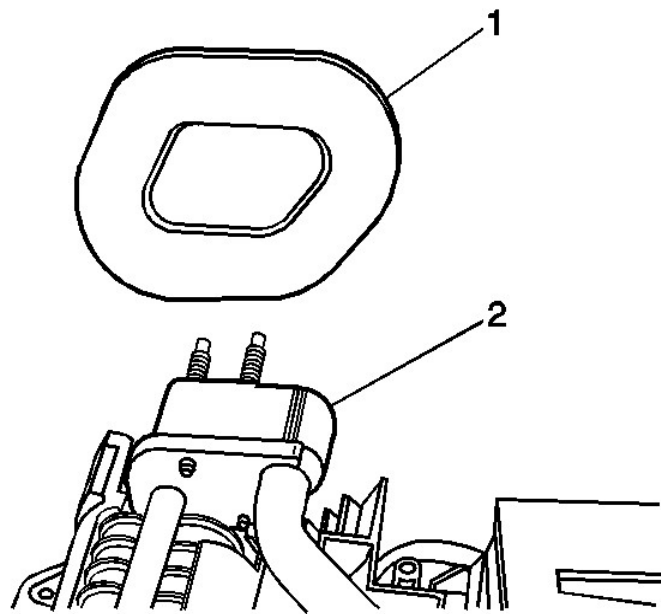
## Removal Procedure

- Remove the HVAC module. Refer to [HVAC Module Assembly Replacement](#) .
- Disconnect the electrical connector from the recirculation actuator.
- Remove the harness from the evaporator cover.
- Remove the screws from the recirculation actuator.
- Remove the recirculation actuator from the HVAC module.
- Remove the screws from the evaporator cover (1).

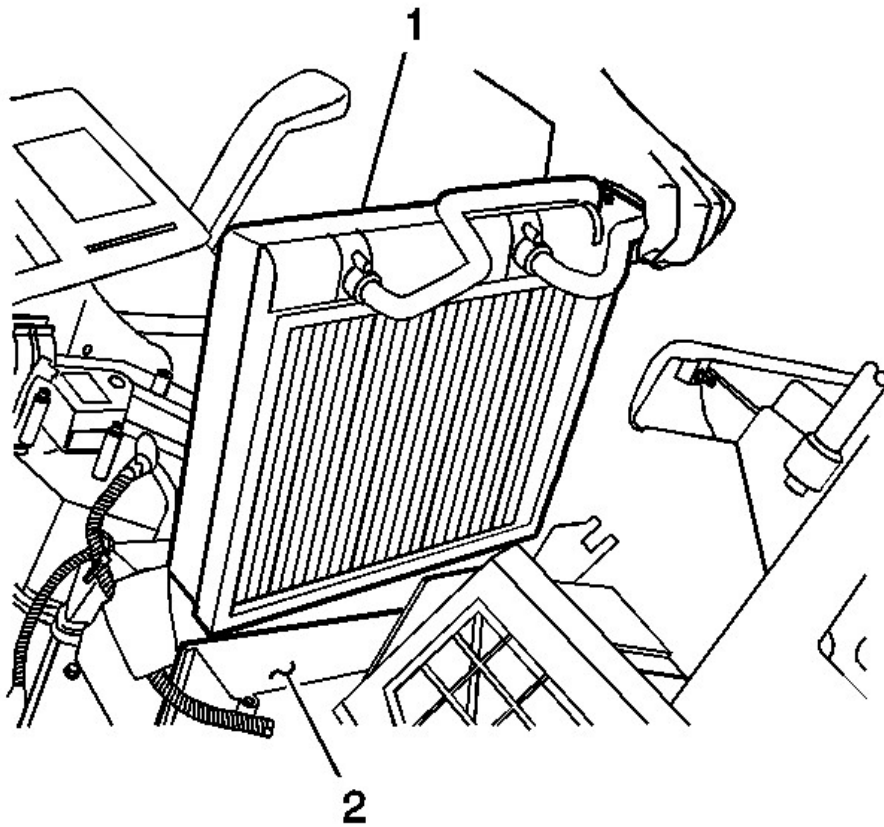


|

- Remove the evaporator cover (1) from the HVAC module (2).

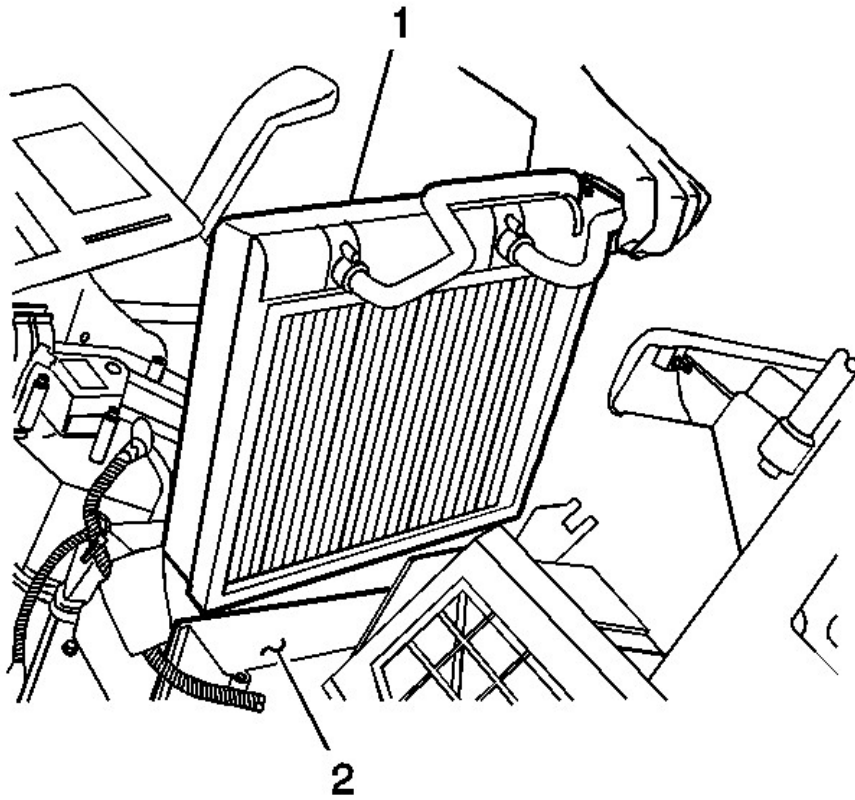


- Remove the evaporator cowl gasket (1) from the evaporator (2).

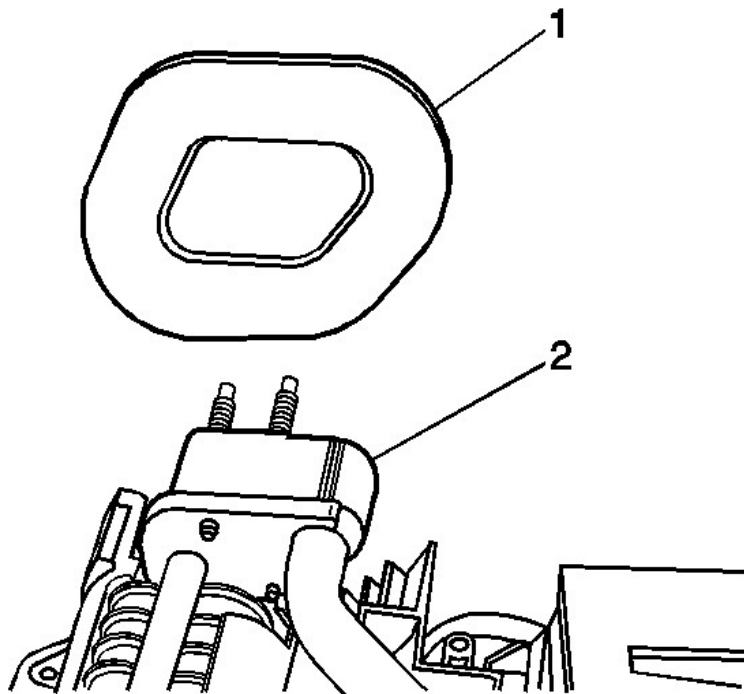


- Remove the evaporator core (1) from the HVAC module (2).

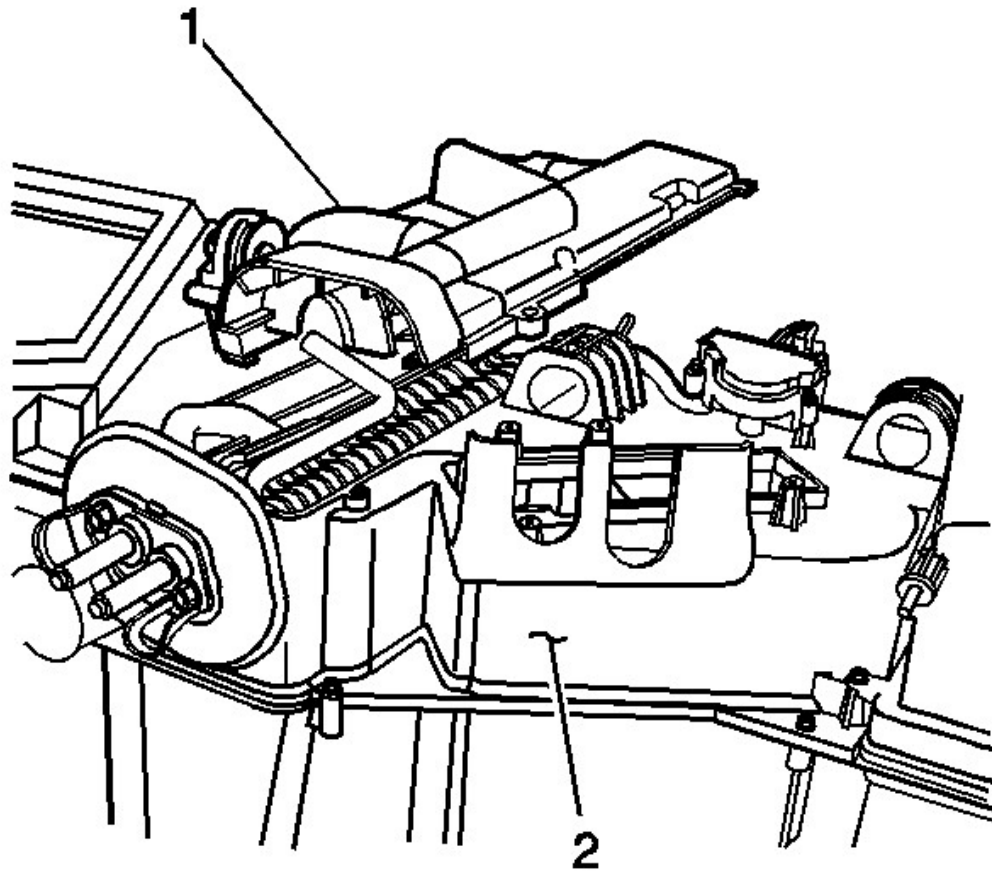
## [Installation Procedure](#)



- Add the proper amount of PAG oil the evaporator. Refer to [Refrigerant System Capacities](#) .
- Install the evaporator core (1) to the HVAC module (2).



- Install the evaporator cowl gasket (1) to the evaporator (2).



1

- Install the evaporator cover (1) to the HVAC module (2).

**Notice:** Refer to [Fastener Notice](#) in the Preface section.

- Install the screws to the evaporator cover (1).

**Tighten**

Tighten the screws to 2 N·m (18 lb in).

- Install the recirculation actuator to the HVAC module.
- Install the screws to the recirculation actuator.

**Tighten**

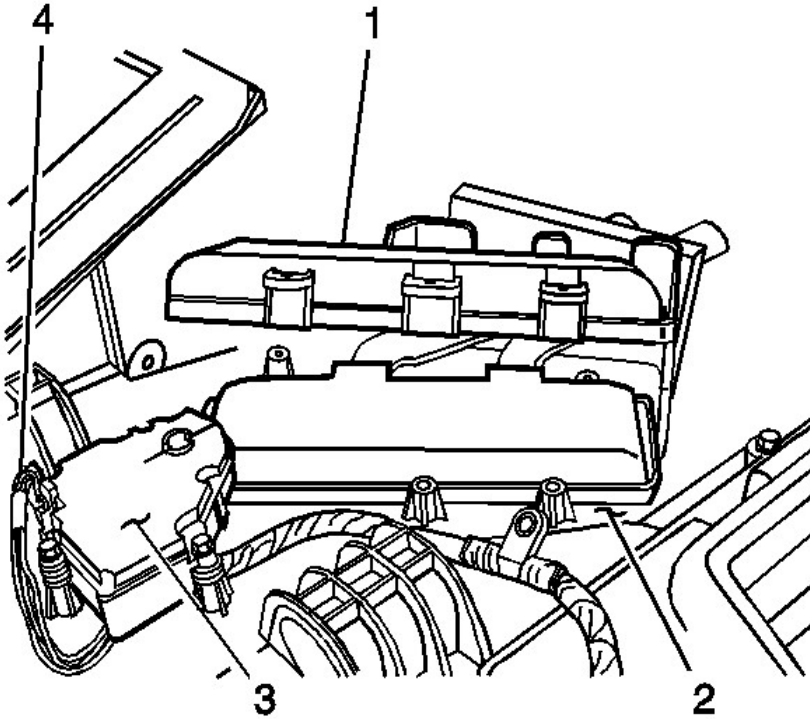
Tighten the screws to 2 N·m (18 lb in).

- Install the harness to the evaporator cover.
- Connect the electrical connector to the recirculation actuator (1).
- Install the HVAC module. Refer to [HVAC Module Assembly Replacement](#) .

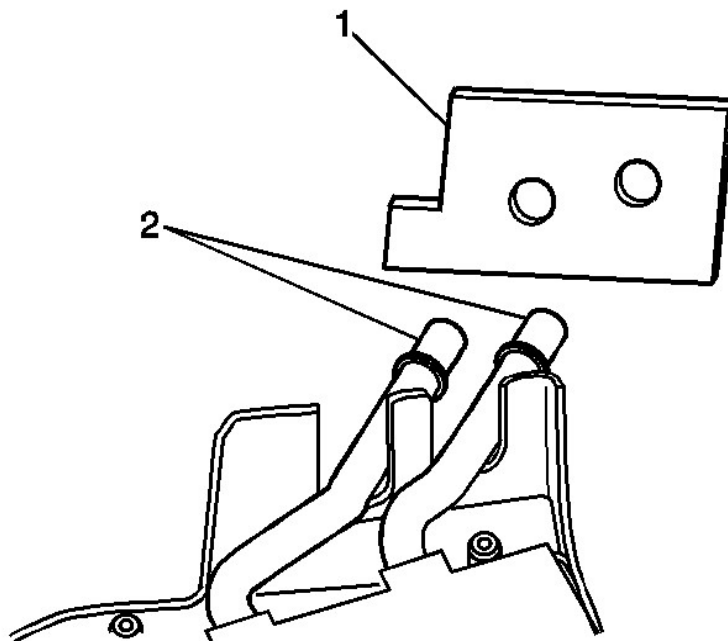
# Heater Core Replacement

## Removal Procedure

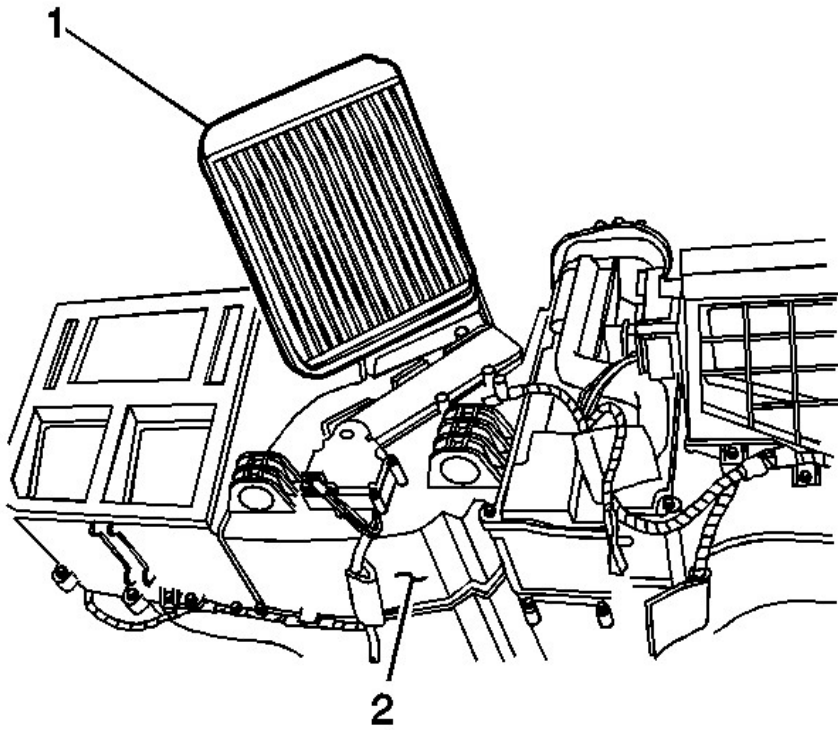
- Remove the HVAC module assembly. Refer to [HVAC Module Assembly Replacement](#) .
- Remove the screws from the heater core cover.



- Remove the heater core cover (1) from the HVAC module assembly (2).

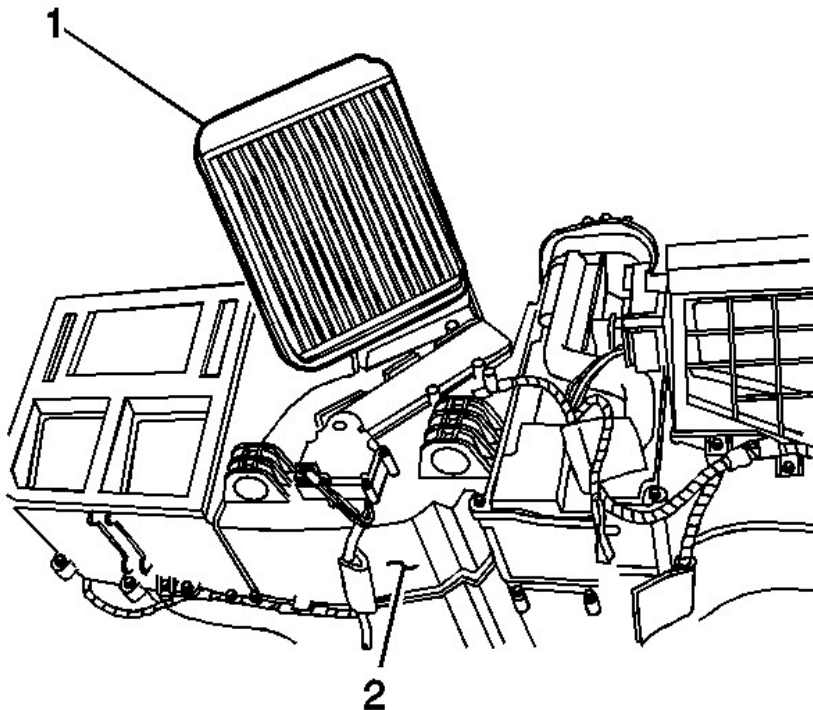


- Remove the heater core cowl gasket (1) from the heater core (2).

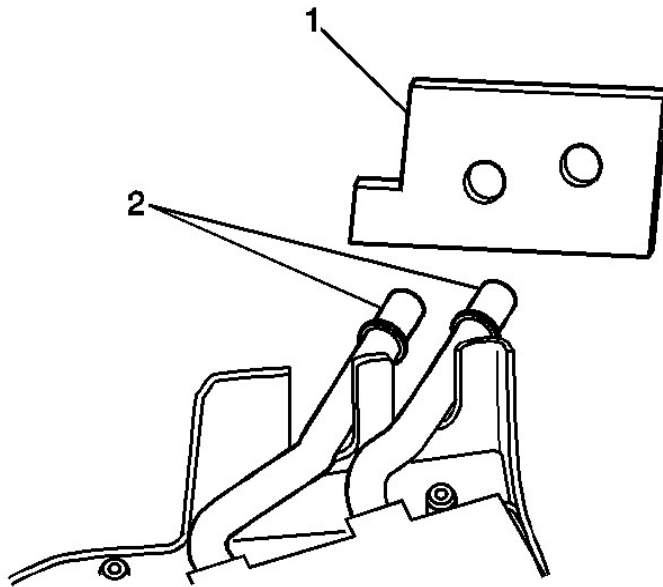


- Remove the heater core (1) from the HVAC module assembly (2).

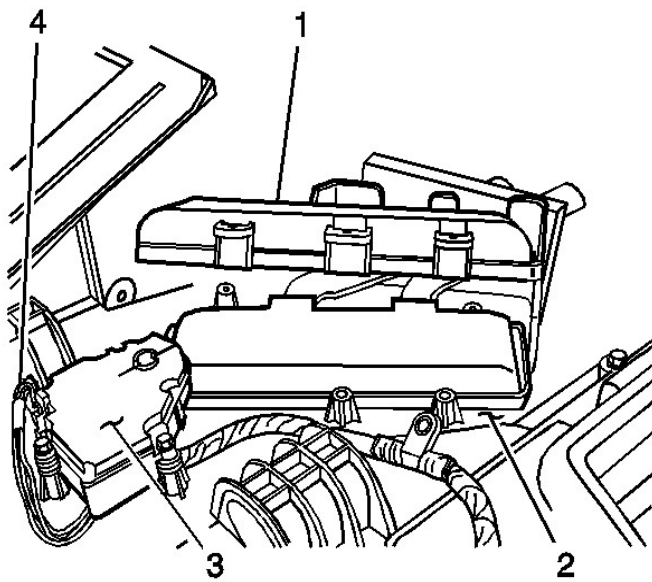
### Installation Procedure



- Install the heater core (1) to the HVAC module assembly (2).



- Install the heater core cowl gasket (1) to the HVAC module assembly (2).



- Install the heater core cover (1) to the HVAC module assembly (2).

**Notice:** Use the correct fastener in the correct location. Replacement fasteners must be the correct part number for that application. Fasteners requiring replacement or fasteners requiring the use of thread locking compound or sealant are identified in the service procedure. Do not use paints, lubricants, or corrosion inhibitors on fasteners or fastener joint surfaces unless specified. These coatings affect fastener torque and joint clamping force and may damage the fastener. Use the correct tightening sequence and specifications when installing fasteners in order to avoid damage to parts and systems.

- Install the screws to the heater core cover (1).

**Tighten**

Tighten the screws to 2 N·m (18 lb in).

- Install the HVAC module assembly. Refer to [HVAC Module Assembly Replacement](#) .