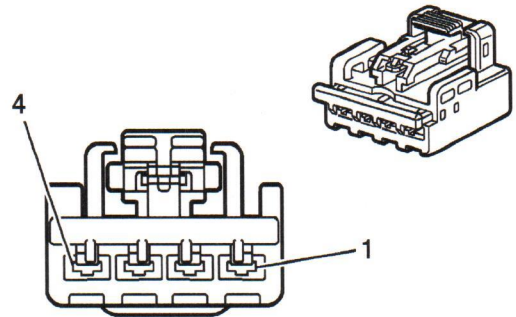


Ø7

Driver Door Module (DDM) - C1

Connector Part Information

- OEM: 15393410
- Service: 8898436
- Description: 4-Way F AMP 2.8 mm Sealed (BK)



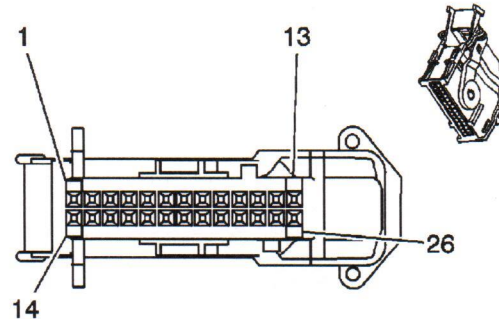
Driver Door Module (DDM) - C1

Pin	Wire Color	Circuit No.	Function
1	BN	165	Power Window Motor Left Front Down Control
2	OG	1240	Battery Positive Voltage
3	D-BU	164	Power Window Motor Left Front Up Control
4	BK	1050	Ground

Driver Door Module (DDM) - C2

Connector Part Information

- OEM: 15398841
- Service: 88988996
- Description: 26-Way F AMP Lever Assist (BK)



Driver Door Module (DDM) - C2

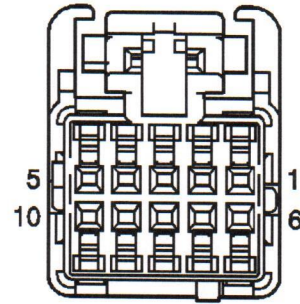
Pin	Wire Color	Circuit No.	Function
1	--	--	Not Used (SUV)
	WH	5457	Midgate Switch Down Signal (SUT)
2	--	--	Not Used
3	BN	1183	Left Front Door Switch Low Reference
4	D-BU	660	Left Front Door Courtesy Lamp Control
5-9	--	--	Not Used
10	GY	1690	Automatic Day/Night Mirror Signal
11	--	--	Not Used
12	PK	1691	Automatic Day/Night Mirror Low Reference
13	D-BU/WH	149	Courtesy Lamp-Left Front Door Supply Voltage
14	OG	4140	Battery Positive Voltage
15	L-GN	262	Driver Door Key Switch Signal
16-17	--	--	Not Used
18	GY/BK	745	Left Front Door Ajar Switch Signal
19	--	--	Not Used
20	TN	294	Door Lock Actuator Unlock Control
21	GY	295	Door Lock Actuator Lock Control
22	BN	1046	DDM Class 2 Serial Data
23-25	--	--	Not Used
26	D-GN	5461	Midgate Motor Up Signal (SUT)
	--	--	Not Used (SUV)

* GY X2-12
X GY/BK X3-9

Driver Door Module (DDM) - C3

Connector Part Information

- OEM: 6383393-7
- Service: See Catalog
- Description: 10-Way F 0.64 mm Unsealed AMP (BU)
- Wire colors may vary



Driver Door Module (DDM) - C3

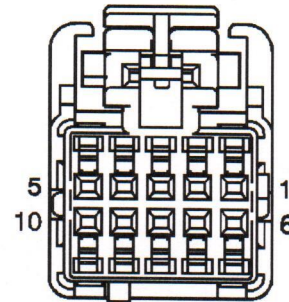
Pin	Wire Color	Circuit No.	Function
1-2	--	--	Not Used
3	BK	--	Driver Mirror Heating Element Low Reference
4	PU	--	Mirror Sensor Low Reference
5-6	--	--	Not Used
7	GY	--	Automatic Day/Night Mirror Signal
8	PK	--	Automatic Day/Night Mirror Low Reference
9-10	--	--	Not Used

X
X
X X3-9 GY/BK
X

Driver Door Module (DDM) - C4

Connector Part Information

- OEM: 6383393-5
- Service: See Catalog
- Description: 10-Way F 0.64 mm Unsealed AMP (BK)
- Wire colors may vary



LOW REF'S
X 2-2 PK
X 2-3 BK
X 3-4 BK
X 2-15 BK

Driver Door Module (DDM) - C4

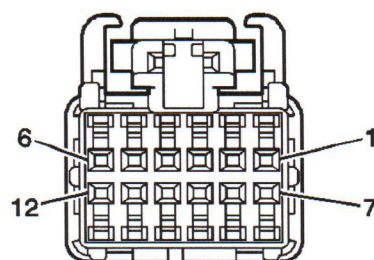
Pin	Wire Color	Circuit No.	Function
1	YE	--	Driver Folding Mirror Motor Extend Control
2	OG	--	Mirror Heating Element Supply Voltage
3	RD	--	Driver Mirror Horizontal Position Sensor Signal
4	D-GN	--	5-Volt Reference
5	D-BU	--	Driver Mirror Vertical Position Sensor Signal
6	L-BU	--	Driver Folding Mirror Motor Retract Control
7	YE/WH	--	Driver Mirror Right/Down Motors Common
8	L-BU	--	Driver Mirror Motor Right Control
9	L-GN	--	Driver Mirror Motor Down Control
10	--	--	Not Used

X X7-2 GY
X X3-7 BK
X X7-5 RD
X X7-7 D-GN
X X7-4 D-BU
X X7-1 BN
X X3-6 YE
X X3-2 L-BU
X X3-1 L-GN

Driver Door Module (DDM) - C5

Connector Part Information

- OEM: 6383393-4
- Service: See Catalog
- Description: 12-Way F AMP 0.64 mm Unsealed (GN)
- Wire colors may vary



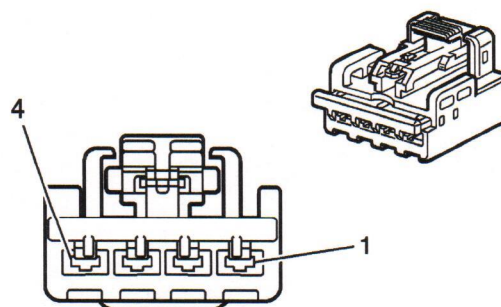
Driver Door Module (DDM) - C5

Pin	Wire Color	Circuit No.	Function
1	WH/BK	--	Medium Heat Indicator Control
2	YE	--	Low Heat Indicator Control
3	GY	--	Back Only Select
4	L-BU	--	Memory/Heated Seat Backlight
5	PK	--	Memory 2 Switch Signal
6	TN	--	Global Window Up Signal
7	D-GN	--	High Heat Indicator Control
8	BK	--	Back Only Indicator
9	D-BU	--	Back and Cushion Select
10	RD	--	Memory 1 Switch Signal
11	BN	--	Memory/Heated Switch Supply Voltage
12	OG	--	Global Window Down Signal

Passenger Door Module (PDM) - C1

Connector Part Information

- OEM: 15393410
- Service: 88986436
- Description: 4-Way F 2.8 mm Sealed AMP (BK)



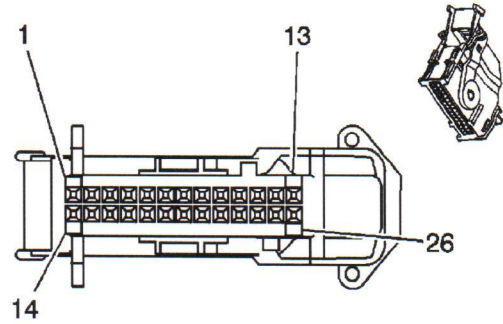
Passenger Door Module (PDM) - C1

Pin	Wire Color	Circuit No.	Function
1	BN	667	Power Window Motor Right Front Down Control
2	OG	1340	Battery Positive Voltage
3	BK	1050	Ground
4	D-BU	666	Power Window Motor Right Front Up Control

Passenger Door Module (PDM) - C2

Connector Part Information

- OEM: 15398841
- Service: 88988996
- Description: 26-Way F AMP Lever Assist (BK)



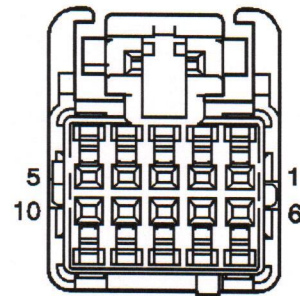
Passenger Door Module (PDM) - C2

Pin	Wire Color	Circuit No.	Function
1-4	--	--	Not Used
5	BK/WH	746	Right Front Door Ajar Switch Signal
6-7	--	--	Not Used
8	WH	156	Courtesy Lamp - Right Front Door Supply Voltage
9	--	--	Not Used
10	GY	295	Door Lock Actuator Lock Control
11	TN	294	Door Lock Actuator Unlock Control
12-13	--	--	Not Used
14	OG	4240	Battery Positive Voltage
15-18	--	--	Not Used
19	L-BU	661	Right Front Door Courtesy Lamp Control
20	D-GN	1178	Right Front Door Switch Low Reference
21	--	--	Not Used
22	TN	1047	PDM Class 2 Serial Data
23	--	--	Not Used
24	L-GN	265	Passenger Door Key Switch Signal
25-26	--	--	Not Used

Passenger Door Module (PDM) - C3

Connector Part Information

- OEM: 6383393-7
- Service: See Catalog
- Description: 10-Way F 0.64 mm Unsealed AMP (BU)



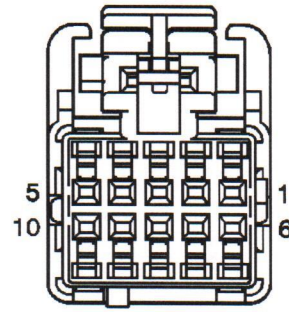
Passenger Door Module (PDM) - C3

Pin	Wire Color	Circuit No.	Function
1	RD/WH	--	Passenger Mirror Motor Right Control
2	WH	--	Passenger Mirror Right/Down Motors Common
3	YE	--	Passenger Folding Mirror Motor Extend Control
4	L-BU	--	Passenger Folding Mirror Motor Retract Control
5	--	--	Not Used
6	PU/WH	--	Passenger Mirror Motor Down Control
7	OG	--	Mirror Heating Element Supply Voltage
8	BK	--	Mirror Heating Element Low Reference
9-10	--	--	Not Used

Passenger Door Module (PDM) - C4

Connector Part Information

- OEM: 6383393-5
- Service: See Catalog
- Description: 10-Way F 0.64 mm Unsealed AMP (BK)



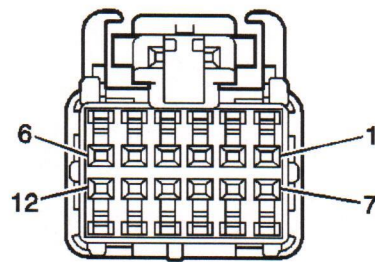
Passenger Door Module (PDM) - C4

Pin	Wire Color	Circuit No.	Function
1	D-GN	--	5-Volt Reference
2	RD	--	Passenger Mirror Vertical Position Sensor Signal
3	PU	--	Low Reference
4	D-BU	--	Passenger Mirror Horizontal Position Sensor Signal
5-10	--	--	Not Used

Passenger Door Module (PDM) - C5

Connector Part Information

- OEM: 6383393-4
- Service: See Catalog
- Description: 12-Way F AMP 0.64 mm Unsealed (GN)



Passenger Door Module (PDM) - C5

Pin	Wire Color	Circuit No.	Function
1	YE	--	Low Heat Indicator Control
2	D-GN	--	High Heat Indicator Control
3	D-BU	--	Back Only Select
4	GY	--	Back and Cushion Select
5	--	--	Not Used
6	BN	--	Memory/Heated Seat Switch Supply Voltage
7	BK	--	Back Only Indicator Control
8	WH/BK	--	Medium Heat Indicator Control
9-11	--	--	Not Used
12	L-BU	--	Heated Seat Switch Backlight