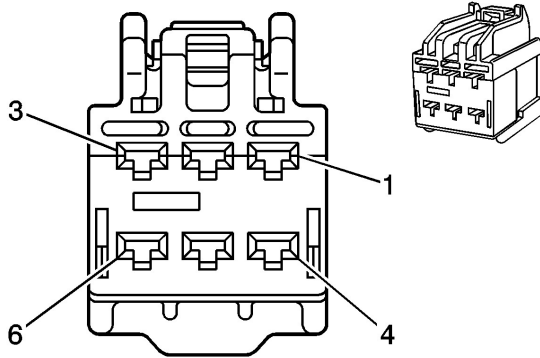


Door Lock/Window Switch - Driver X1



Connector Part Information

- OEM: 6098-4607
- Service: 88988497
- Description: 6-Way F (BK)

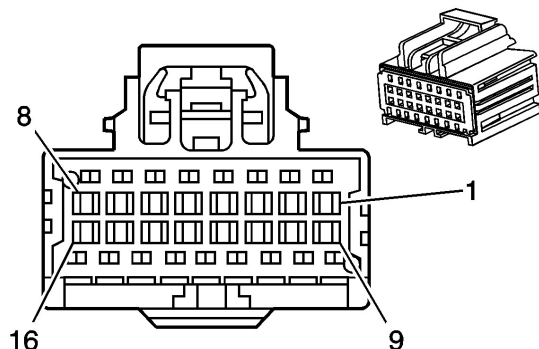
Terminal Part Information

- Pins: 4
- Terminal/Tray: 8100-4444/22
- Core/Insulation Crimp: 2/A
- Release Tool/Test Probe: 15315247/J-35616-35 (VT)
- Pins: 1-3, 6
- Terminal/Tray: 8100-4445/22
- Core/Insulation Crimp: Pins 1, 3 - 4/4
- Core/Insulation Crimp: Pins 2, 6 - F/D
- Release Tool/Test Probe: 15315247/J-35616-35 (VT)

Door Lock/Window Switch - Driver X1

Pin	Wire	Circuit	Function
1	2 BN	165	Power Window Motor Left Front Down Control
2	3 RD/WH	1240	Battery Positive Voltage
3	2 D-BU	164	Power Window Motor Left Front Up Control
4	0.8 RD/WH	140	Battery Positive Voltage
5	--	--	Not Used
6	3 BK	1850	Ground

Door Lock/Window Switch - Driver X2



Connector Part Information

- OEM: 7283-9078-80
- Service: See Catalog
- Description: 16-Way F Kaizen 0.64 Series (BN)

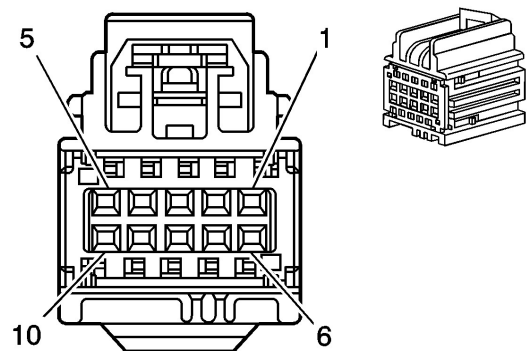
Terminal Part Information

- Pins: 2, 4, 5, 7, 8, 9-13, 15
- Terminal/Tray: 7116-4618-02/14
- Core/Insulation Crimp: P/P
- Release Tool/Test Probe: J-38125-215A/J-35616-64B (L-BU)

Door Lock/Window Switch - Driver X2

Pin	Wire	Circuit	Function
1	--	--	Not Used
2	0.35 PK	1691	Low Reference
3	--	--	Not Used
4	0.35 L-GN	262	Driver Door Key Switch Signal
5	0.35 YE	5942	Driver Door Key Switch Signal
6	--	--	Not Used
7	0.5 TN	5925	Door Lock Actuator Lock Control
8	0.5 PU	5927	Door Lock Actuator Unlock Control
9	0.35 D-GN	5060	Low Speed GMLAN Serial Data
10	0.35 D-BU	660	Left Courtesy Lamp Control
11	0.35 TN	126	Left Front Door Open Switch Signal
12	0.35 GY	1690	Automatic Day/Night Mirror Signal
13	0.35 GY/BK	745	Left Front Door Ajar Switch Signal
14	--	--	Not Used
15	0.35 BK	1050	Ground
16	--	--	Not Used

Door Lock/Window Switch - Driver X3



Connector Part Information

- OEM: 15127042
- Service: 15127042
- Description: 10-Way F YESC Kaizen Series (BK)

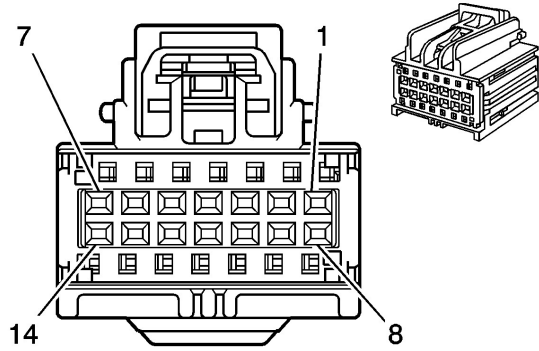
Terminal Part Information

- Terminal/Tray: See Terminal Repair Kit
- Core/Insulation Crimp: See Terminal Repair Kit
- Release Tool/Test Probe: See Terminal Repair Kit

Door Lock/Window Switch - Driver X3

Pin	Wire	Circuit	Function
1	0.35 L-GN	6160	Outside Left Mirror Vertical Position Control
2	0.35 L-BU	6159	Outside Left Mirror Horizontal Position Control
3	0.8 BK	627	Low Reference
4	0.35 PK	1691	Low Reference
5	--	--	Not Used
6	0.35 YE	7197	Outside Left Mirror Drive Motor Common
7	0.8 BK	2267	Mirror Heating Element Control
8	--	--	Not Used
9	0.35 GY/BK	1690	Automatic Day/Night Mirror Signal
10	--	--	Not Used

Door Lock/Window Switch - Driver X4



Connector Part Information

- OEM: 15127039
- Service: 15127039
- Description: 14-Way F Kaizen (L-GY)

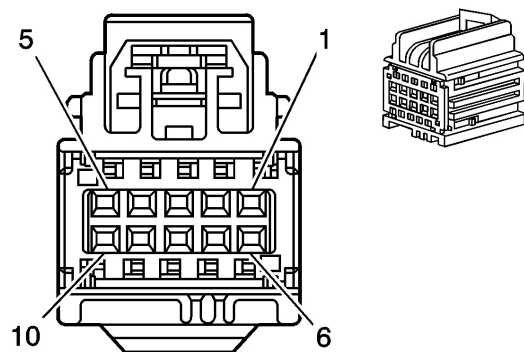
Terminal Part Information

- Terminal/Tray: See Terminal Repair Kit
- Core/Insulation Crimp: See Terminal Repair Kit
- Release Tool/Test Probe: See Terminal Repair Kit

Door Lock/Window Switch - Driver X4

Pin	Wire	Circuit	Function
1	0.35 WH/BK	6177	Driver Heated Seat Medium Temperature Indicator Control
2	0.35 BK/GN	1661	Driver Heated Seat High Temperature Indicator Control
3	0.35 L-GN/BK	--	Not Used
4	0.35 BK/WH	5978	Low Reference
5	0.35 OG	614	Memory Set Switch Signal
6	0.35 BK	6172	Driver Heated Seat Back and Cushion Indicator Control
7	0.35 GY	6175	Driver Heated Seat Back Indicator Control
8	--	--	Not Used
9	0.35 L-BU	1662	Driver Heated Seat Low Temperature Indicator Control
10	0.35 BN	6173	Driver Heated Seat Back and Cushion Indicator Control
11	0.35 PU	6174	Driver Heated Seat Back Indicator Control
12	0.35 OG/WH	--	Not Used
13	0.35 TN/WH	6064	Memory Switch Dimming Control
14	0.35 GY/BK	5979	12-Volt Reference

Door Lock/Window Switch - Driver X5



Connector Part Information

- OEM: 7283-9043-60
- Service: See Catalog
- Description: 10-Way F (GN)

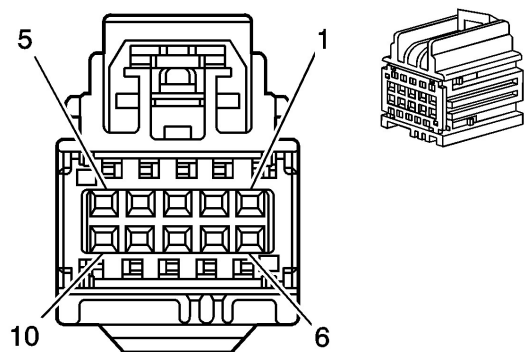
Terminal Part Information

- Pins: 5, 6, 8, 9, 10
- Terminal/Tray: 7116-4618-02/14
- Core/Insulation Crimp: 9/9
- Release Tool/Test Probe: J-38125-215A/J-35616-64B (L-BU)

Door Lock/Window Switch - Driver X5

Pin	Wire	Circuit	Function
1-4	--	--	Not Used
5	0.5 WH	5457	Midgate Overhead Console Switch Down Signal (SUT)
6	0.35 OG	1673	12-Volt Reference
7	--	--	Not Used
8	0.5 D-GN	5461	Midgate Motor Up Signal (SUT)
9	0.35 BU/BK	7177	Global Window Switch Up Signal
10	0.35 BU/YE	7176	Global Window Switch Down Signal

Door Lock/Window Switch - Driver X7



Connector Part Information

- OEM: 15127040
- Service: 15127040
- Description: 10-Way F (WH)

Terminal Part Information

- Terminal/Tray: See Terminal Repair Kit
- Core/Insulation Crimp: See Terminal Repair Kit
- Release Tool/Test Probe: See Terminal Repair Kit

Door Lock/Window Switch - Driver X7

Pin	Wire	Circuit	Function
1	0.35 BN	6802	Driver Folding Mirror Motor Retract Control
2	0.35 GY	6803	Driver Folding Mirror Motor Extend Control
3	--	--	Not Used
4	0.35 D-BU	784	Driver Mirror Vertical Position Sensor Signal
5	0.35 RD	786	Driver Mirror Horizontal Position Sensor Signal
6	--	--	Not Used
7	0.35 D-GN	672	5-Volt Reference
8-9	--	--	Not Used
10	0.35 PU	673	Low Reference

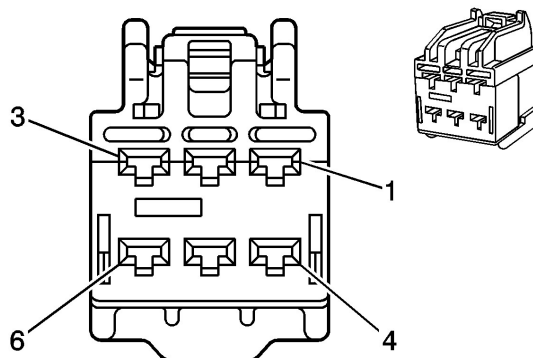
Door Lock/Window Switch - Passenger X1

Connector Part Information

- OEM: 6098-4607
- Service: 88988497
- Description: 6-Way F (BK)

Terminal Part Information

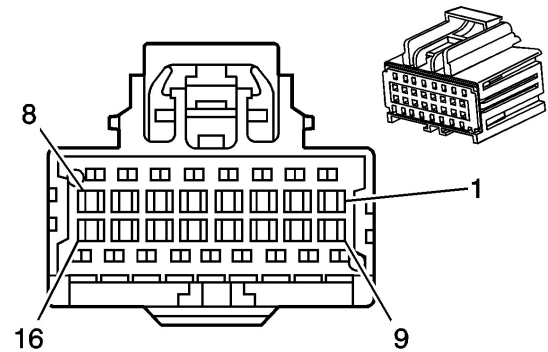
- Pins: 1-3, 6
 - Terminal/Tray: 8100-4445/22
 - Core/Insulation Crimp: Pins 1, 3 - 4/4
 - Core/Insulation Crimp: Pins 2, 6 - F/D
 - Release Tool/Test Probe: 15315247/J-35616-35 (VT)
-
- Pins: 4
 - Terminal/Tray: 8100-4444/22
 - Core/Insulation Crimp: 2/A
 - Release Tool/Test Probe: 15315247/J-35616-35 (VT)



Door Lock/Window Switch - Passenger X1

Pin	Wire	Circuit	Function
1	2 BN	667	Power Window Motor Right Front Down Control
2	3 RD/WH	1340	Battery Positive Voltage
3	2 D-BU	666	Power Window Motor Right Front Up Control
4	0.8 RD/WH	240	Battery Positive Voltage
5	--	--	Not Used
6	3 BK	1050	Ground

Door Lock/Window Switch - Passenger X2



Connector Part Information

- OEM: 7283-9078-80
- Service: See Catalog
- Description: 16-Way F Kaizen 0.64 Series (BN)

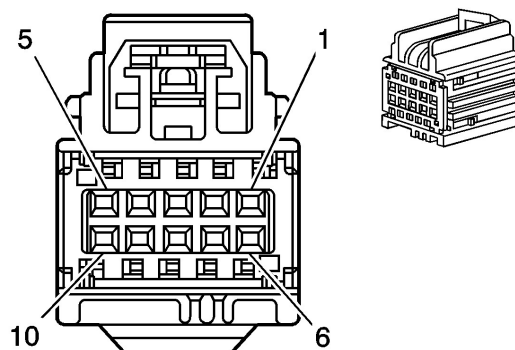
Terminal Part Information

- Pins: 5, 7-11, 13, 15
- Terminal/Tray: 7116-4618-02/14
- Core/Insulation Crimp: P/P
- Release Tool/Test Probe: J-38125-215A/J-35616-64B (L-BU)

Door Lock/Window Switch - Passenger X2

Pin	Wire	Circuit	Function
1-4	--	--	Not Used
5	0.35 YE	5943	Ground
6	--	--	Not Used
7	0.5 TN	5946	Door Lock Actuator Lock Control
8	0.5 GY/BK	1663	Passenger Door Lock Actuator Unlock Control
9	0.35 D-GN	5060	Low Speed GMLAN Serial Data
10	0.35 L-BU	661	Right Courtesy Lamp Control
11	0.35 L-GN	1177	Right Front Door Open Switch Signal
12	--	--	Not Used
13	0.35 TN/WH	746	Right Front Door Ajar Switch Signal
14	--	--	Not Used
15	0.35 BK	1050	Ground
16	--	--	Not Used

Door Lock/Window Switch - Passenger X3



Connector Part Information

- OEM: 15127042
- Service: 15127042
- Description: 10-Way F 0.64 Series (BK)

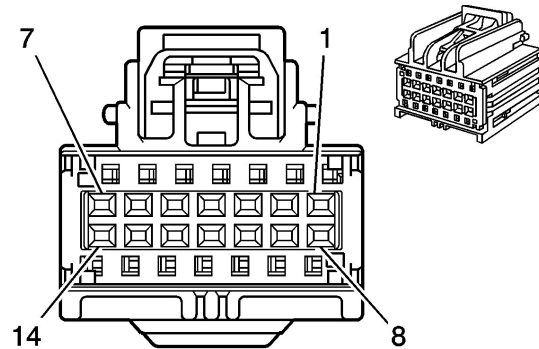
Terminal Part Information

- Terminal/Tray: See Terminal Repair Kit
- Core/Insulation Crimp: See Terminal Repair Kit
- Release Tool/Test Probe: See Terminal Repair Kit

Door Lock/Window Switch - Passenger X3

Pin	Wire	Circuit	Function
1	0.35 PU/WH	6162	Outside Right Mirror Vertical Position Control
2	0.35 RD/WH	6161	Outside Right Mirror Horizontal Position Control
3	0.8 BK	628	Low Reference
4-5	--	--	Not Used
6	0.35 WH	7196	Outside Right Mirror Drive Motor Common
7	0.8 BK	2267	Mirror Heating Element Control
8-10	--	--	Not Used

Door Lock/Window Switch - Passenger X4



Connector Part Information

- OEM: 15127039
- Service: 15127039
- Description: 14-Way F Kaizen (L-GY)

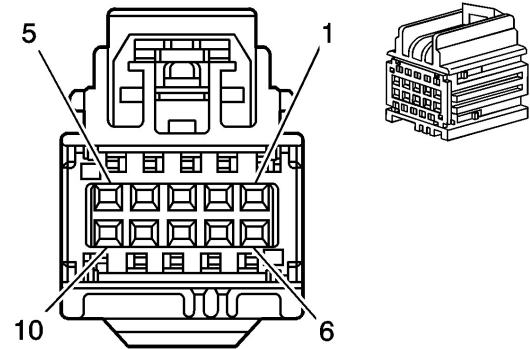
Terminal Part Information

- Terminal/Tray: See Terminal Repair Kit
- Core/Insulation Crimp: See Terminal Repair Kit
- Release Tool/Test Probe: See Terminal Repair Kit

Door Lock/Window Switch - Passenger X4

Pin	Wire	Circuit	Function
1	0.35 WH/BK	6185	Passenger Heated Seat Medium Temperature Indicator Control
2	0.35 BK/GN	1685	Passenger Heated Seat High Temperature Indicator Control
3	0.35 L-GN/BK	--	Not Used
4	0.35 BK/WH	6184	Low Reference
5	--	--	Not Used
6	0.35 BK	6180	Passenger Heated Seat Back and Cushion Switch Signal
7	0.35 GY	6182	Passenger Heated Seat Back Switch Signal
8	--	--	Not Used
9	0.35 D-BU	1686	Passenger Heated Seat Low Temperature Indicator Control
10	0.35 BN	6179	Passenger Heated Seat Back and Cushion Indicator Control
11	0.35 PU	6181	Passenger Heated Seat Back Indicator Control
12	0.35 OG/WH	--	Not Used
13	0.35 TN/WH	6183	Passenger Heated Seat Switch Dimming Control
14	--	--	Not Used

Door Lock/Window Switch - Passenger X7



Connector Part Information

- OEM: 15127040
- Service: 15127040
- Description: 10-Way F (WH)

Terminal Part Information

- Terminal/Tray: See Terminal Repair Kit
- Core/Insulation Crimp: See Terminal Repair Kit
- Release Tool/Test Probe: See Terminal Repair Kit

Door Lock/Window Switch - Passenger X7

Pin	Wire	Circuit	Function
1	0.35 BN	6804	Passenger Folding Mirror Motor Retract Control
2	0.35 GY	6805	Passenger Folding Mirror Motor Extend Control
3	--	--	Not Used
4	0.35 OG	787	Passenger Mirror Vertical Position Sensor Signal
5	0.35 D-BU	785	Passenger Mirror Horizontal Position Sensor Signal
6	--	--	Not Used
7	0.35 D-GN	674	5-Volt Reference
8-9	--	--	Not Used
10	0.35 PU	675	Low Reference