



US00D473835S

(12) **United States Design Patent**
Roehmer et al.

(10) **Patent No.:** **US D473,835 S**

(45) **Date of Patent:** **** Apr. 29, 2003**

(54) **TIRE CARRIER**

(75) Inventors: **Marcus Roehmer**, Scottsdale, AZ (US);
Michael Kenney, Maricopa, AZ (US)

(73) Assignee: **SMA-Patents, L.L.C.**, Phoenix, AZ (US)

(**) Term: **14 Years**

(21) Appl. No.: **29/169,686**

(22) Filed: **Oct. 24, 2002**

(51) **LOC (7) Cl.** **12-16**

(52) **U.S. Cl.** **D12/202**

(58) **Field of Search** D12/202, 400,
D12/162; 362/496, 500, 540, 541, 505,
320, 42; 224/400, 488, 489, 42.12-42.3;
414/462-466; 296/37.1-37.3

(56) **References Cited**

U.S. PATENT DOCUMENTS

D206,185 S	*	11/1966	Davis	D12/202
D216,967 S	*	3/1970	Harden	D12/202
D251,839 S	*	5/1979	Bodde	D12/202
D256,345 S	*	8/1980	Weiler	D12/202
4,679,717 A		7/1987	Hansen		
4,817,834 A		4/1989	Weiler		
D308,959 S	*	7/1990	Ware	D12/202
D310,507 S	*	9/1990	Ware	D12/202

D345,336 S	*	3/1994	Pigott, Jr.	D12/202
D345,337 S	*	3/1994	Feller	D12/202
5,538,168 A		7/1996	Burger et al.		
D377,470 S	*	1/1997	Santangelo	D12/202
5,806,736 A		9/1998	Kincart		
D424,005 S	*	5/2000	Henry	D12/202
6,076,949 A	*	6/2000	Holdsworth et al.	362/500

* cited by examiner

Primary Examiner—Stacia Cadmus

(74) *Attorney, Agent, or Firm*—Wright Law Group, PLLC;
Mark F. Wright

(57) **CLAIM**

The ornamental design for a tire carrier, as shown and described.

DESCRIPTION

FIG. 1 is a perspective view of a tire carrier showing our new design;

FIG. 2 is a top view thereof;

FIG. 3 is a front view thereof;

FIG. 4 is a right side view thereof;

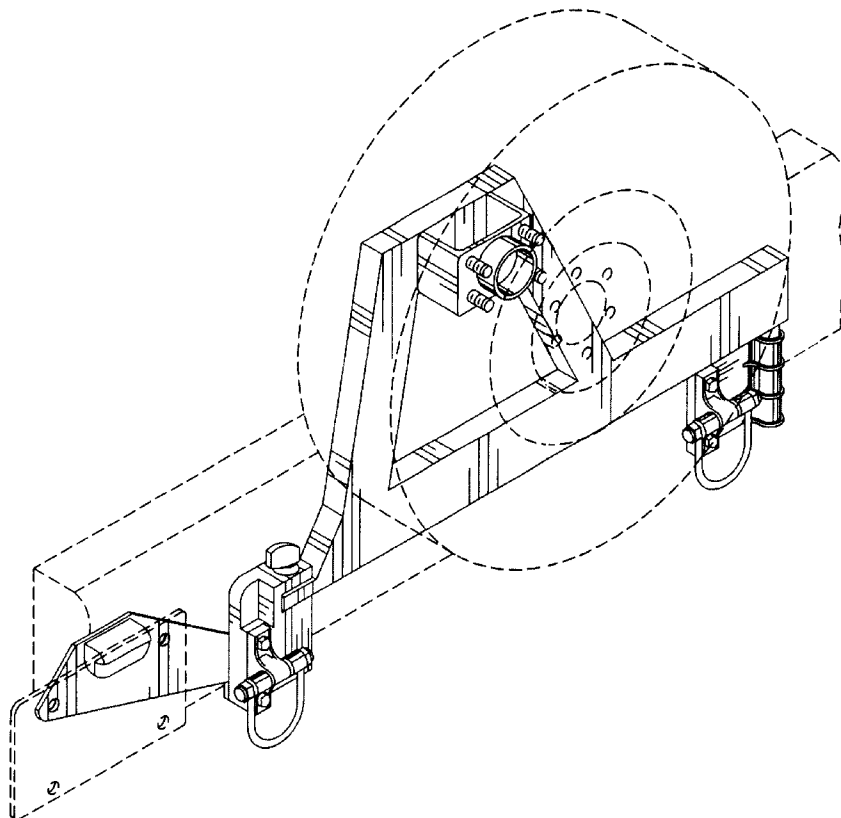
FIG. 5 is a left side view thereof;

FIG. 6 is a rear view thereof; and,

FIG. 7 is a bottom view thereof.

The broken line showing of environment is for illustrative purposes only and forms no part of the claimed design.

1 Claim, 3 Drawing Sheets



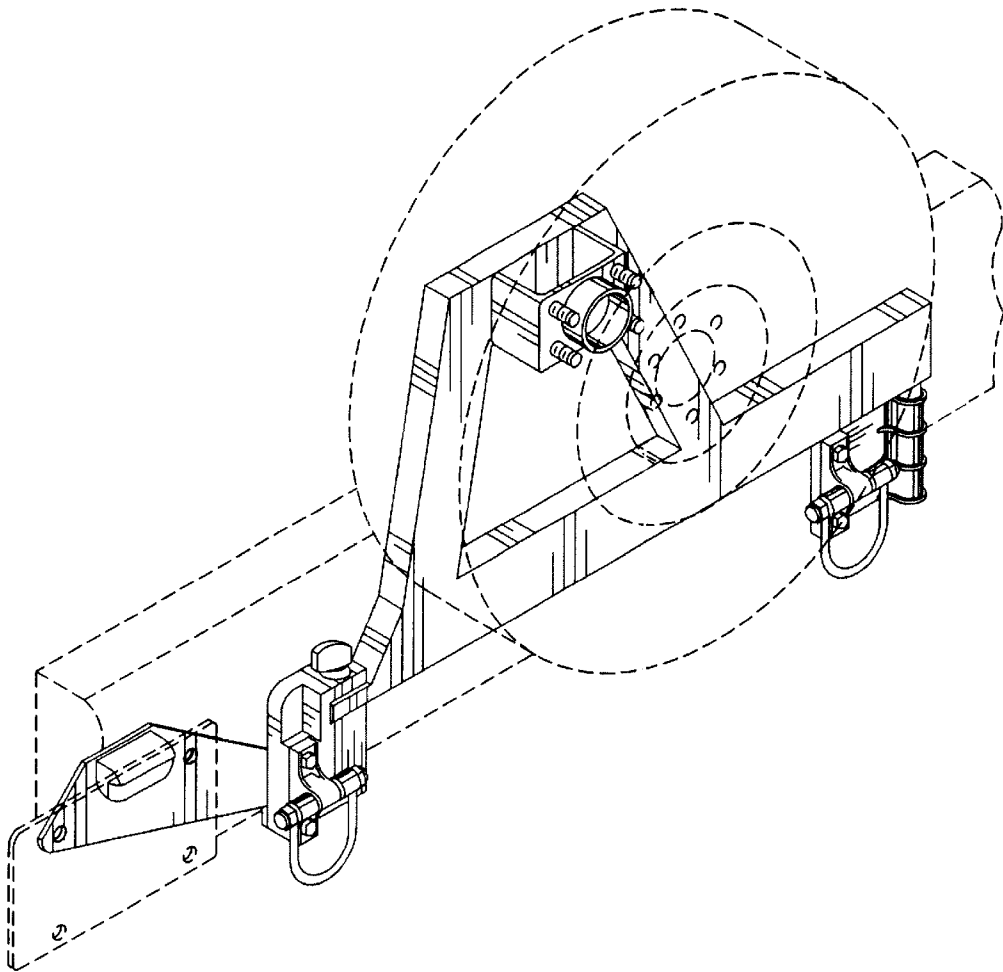


Figure 1

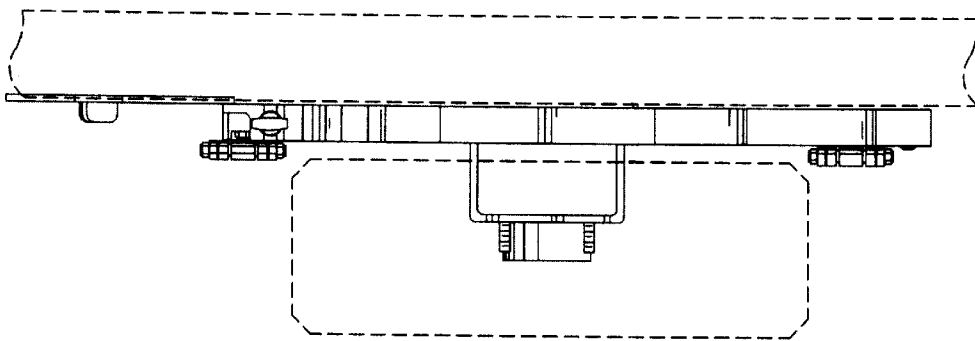


Figure 2

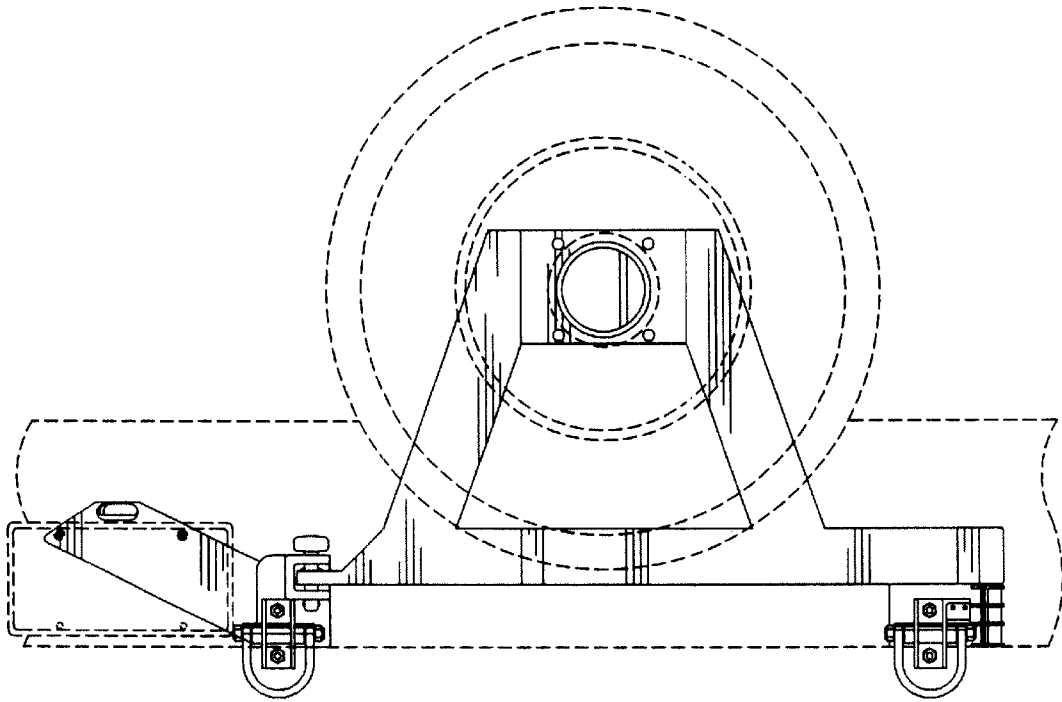


Figure 3

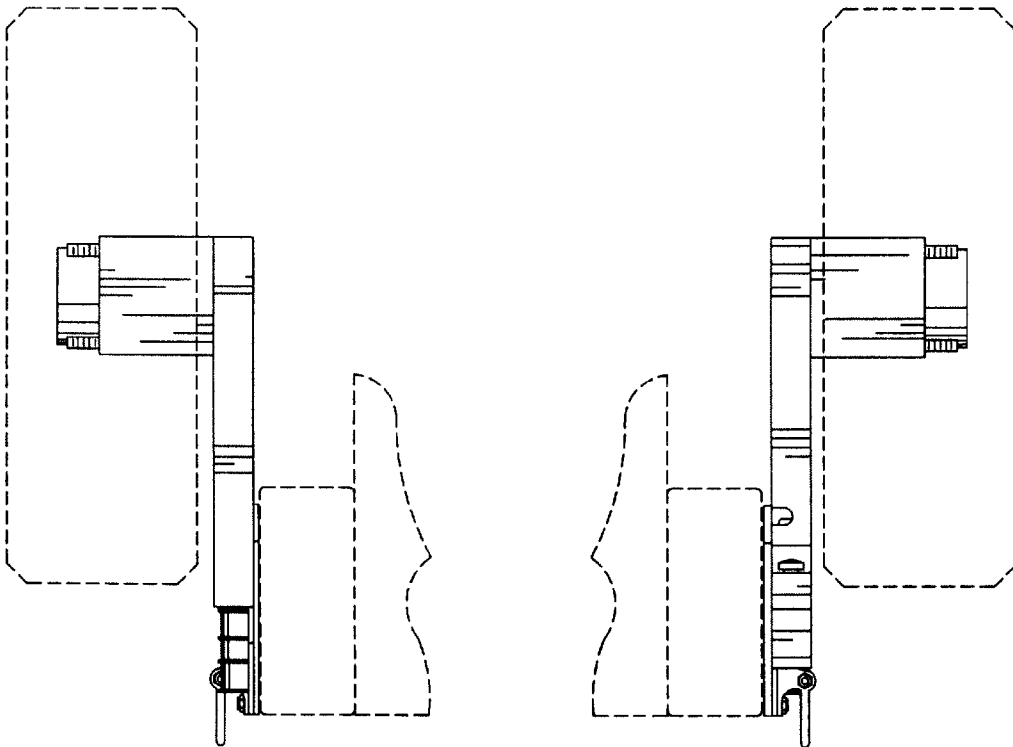


Figure 4

Figure 5

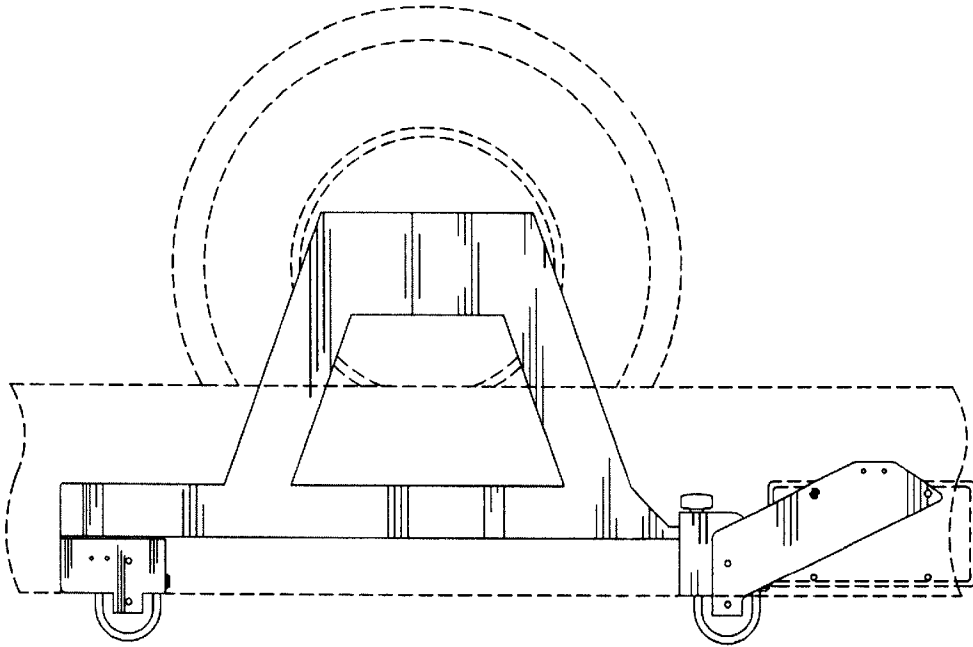


Figure 6

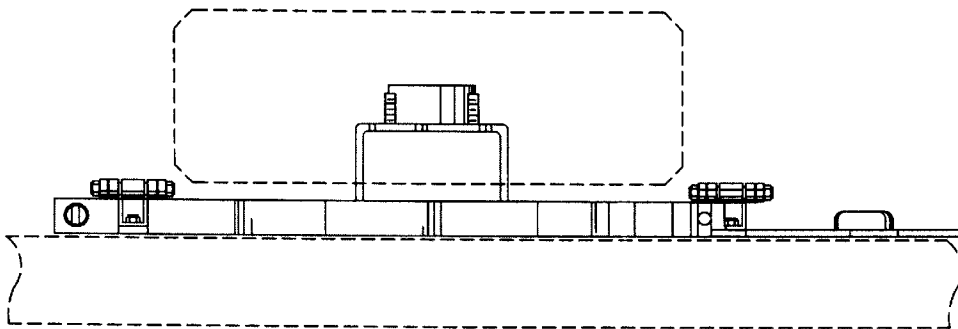


Figure 7