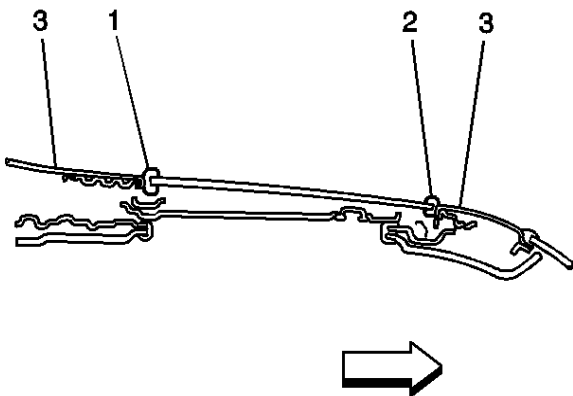


Sunroof Window Height and Opening Fit Adjustment



1. In order to adjust the glass height, the sunroof glass must be in the zero, closed, position.

Important: Do not remove the screws from the sunroof mechanism.

2. Loosen the 4 adjustment screws.

Notice: Refer to [Fastener Notice](#) in the Preface section.

3. Adjust the rear glass panel (1) so that it is flush with the roof panel (3), 0-2.0 mm (0.079 in) above 3.

Tighten

Tighten all 4 adjustment screws to 4 N·m (35 lb in).

4. Adjust the front glass panel (2) so that it is flush with the roof panel (3), 0-1.0 mm (0.040 in) below 3.

Tighten

Tighten all 4 adjustment screws to 4 N·m (35 lb in).

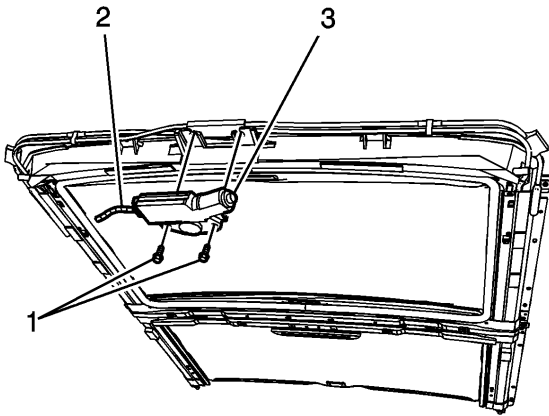
Sunroof Track Timing/Synchronization

This procedure requires that both the glass and the sunroof motor/actuator are set to the closed position. Individually, the glass must be mechanically aligned in the closed position as well as the motor/actuator is electronically timed in the closed position. Then the motor/actuator can be installed to the sunroof module.

Perform this procedure anytime:

- A new sunroof motor/actuator is being installed.
- The original sunroof motor/actuator is being re-installed.

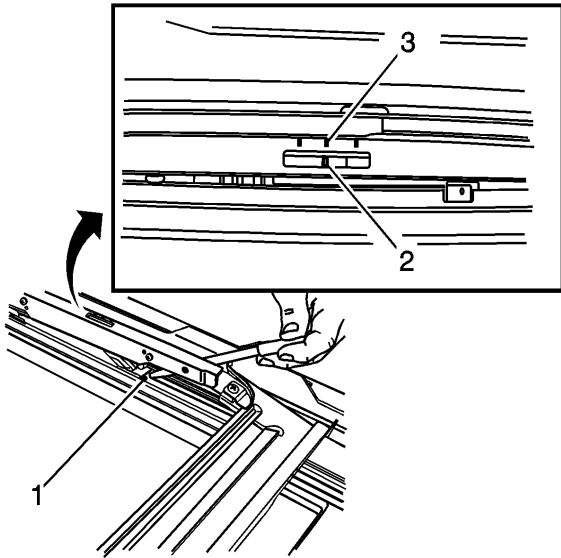
Removal Procedure



1. Remove the sunroof glass panel. Refer to [Sunroof Glass Panel Replacement](#) .
2. Remove the overhead roof console. Refer to [Roof Console Replacement](#) .

Important: If installing a new sunroof motor, or transferring one from a previous module, connect the electrical harness but **DO NOT** install the motor to the sunroof module at this time.

3. Leaving the electrical harness connected (2), remove the sunroof motor (3) from the module. Refer to [Power Sunroof Motor Replacement](#) .
4. Turn the ignition to RUN, with the engine OFF.
5. In order to watch the sunroof motor gear turn, hold the sunroof motor with the gear on top.
6. Press and hold the rear portion of the sunroof switch, open. The gear will turn clockwise.
7. Repeat the previous step until the motor ignores the open request. This may need to be repeated several times.
8. Momentarily press the front portion of the sunroof switch, close. The gear will turn counterclockwise, stopping at the closed position. The motor is now timed in the closed position.
9. Turn the ignition to OFF, and open the driver door to disable retained accessory power.

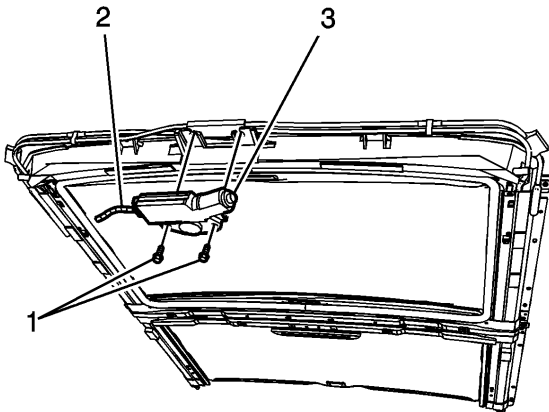


Notice: When manually repositioning the sunroof module guide mechanisms, push only on the guide shoes in order to eliminate the risk of damage to the components.

10. Do this from outside the vehicle.

Pushing on the guide shoes (1) forward or rearward, until the marks (2 and 3) are in alignment.

Installation Procedure



1. Install the sunroof motor (3) to the module. Refer to [Power Sunroof Motor Replacement](#) .
2. Install the sunroof glass panel. Refer to [Sunroof Glass Panel Replacement](#) .
3. Verify the proper operation of the sunroof.
4. Install the overhead roof console. Refer to [Roof Console Replacement](#) .