

Antilock Brake System Connector End Views

Table 1: [Electronic Brake Control Module \(EBCM\)](#)

Table 2: [Longitudinal Accelerometer](#)

Table 3: [Traction Control Switch](#)

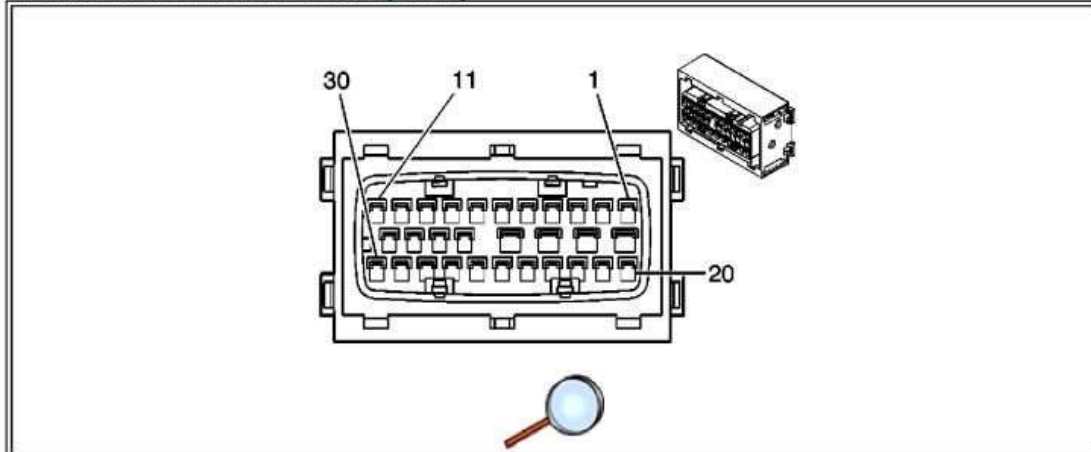
Table 4: [Wheel Speed Sensor \(WSS\) - LF](#)

Table 5: [Wheel Speed Sensor \(WSS\) - LR](#)

Table 6: [Wheel Speed Sensor \(WSS\) - RF](#)

Table 7: [Wheel Speed Sensor \(WSS\) - RR](#)

Electronic Brake Control Module (EBCM)



Connector Part Information		<ul style="list-style-type: none"> • 15326390 • 30-Way F GT 150 Series (BK) 	
Pin	Wire Color	Circuit No.	Function
1	BN	882	Right Rear Wheel Speed Sensor Signal
2	WH	883	Lojw Reference
3	--	--	Not Used
4	D-GN	872	Right Front Wheel Speed Sensor Signal
5	TN	833	Low Reference
6	L-BU	1320	Stop Lamp Supply Voltage
7	--	--	Vent Tube
8	PK	1339	Ignition 1 Voltage
9	PU	333	Brake Fluid Level Sensor Signal
10	D-BU	716	LNG Rate Signal
11	L-BU	2206	Traction Control Preference Switch Signal
12	BK	2150	Ground
13	RD	442	Battery Positive Voltage
14	OG	2340	Battery Positive Voltage
15	BK	2851	Ground
16	OG	2554	Traction Control Preference Switch Indicator
17	--	--	Not Used
18	L-BU	2088	Low Reference
19	--	--	Not Used
20	L-BU	830	Left Front Wheel Speed Sensor Signal
21	YE	873	Low Reference
22	BK	884	Left Rear Wheel Speed Sensor Signal
23	RD	885	Low Reference
24	--	--	Not Used
25	L-BU	1122	Class 2 Serial Data
26-27	--	--	Not Used
28	D-GN	2087	5-Volt Reference
29 - 30	--	--	Not Used