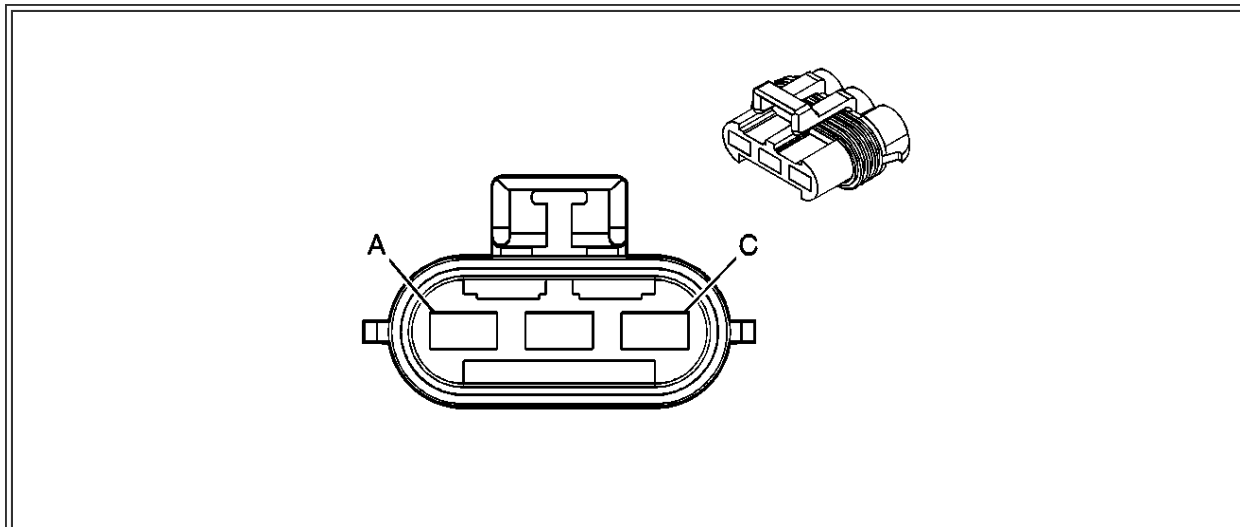


Suspension Controls Connector End Views

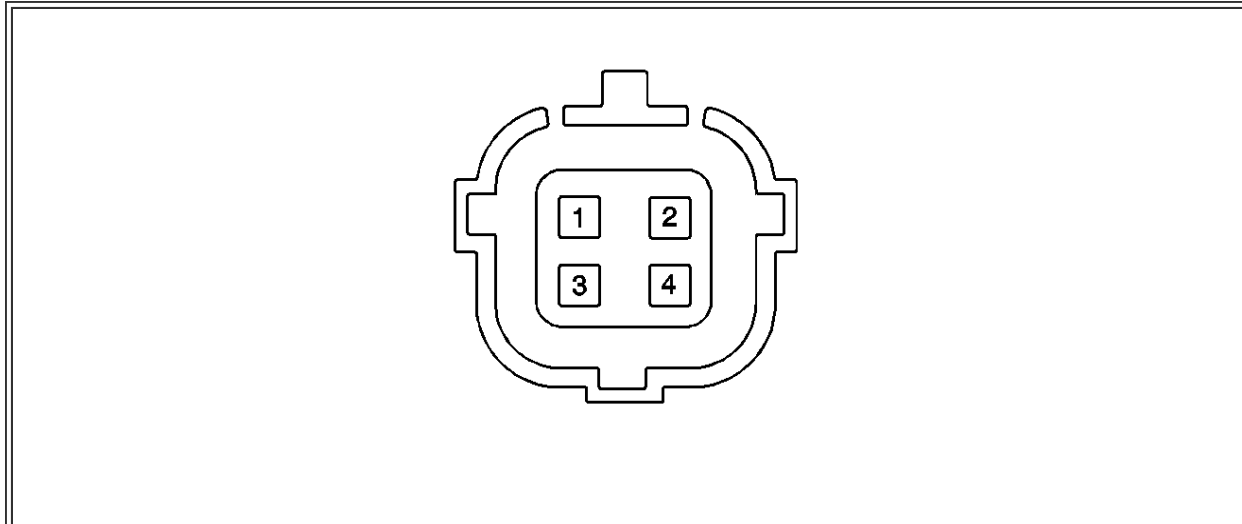
- Table 1: [Air Suspension Compressor \(Early Production SUV\)](#)
- Table 2: [Air Suspension Compressor - 1 \(Except Early Production SUV\)](#)
- Table 3: [Air Suspension Compressor - 2 \(Except Early Production SUV\)](#)
- Table 4: [Air Suspension Exhaust Valve](#)
- Table 5: [Air Suspension Inflator Switch](#)
- Table 6: [Air Suspension Inlet Valve - LR/RR](#)
- Table 7: [Air Suspension Module](#)
- Table 8: [Air Suspension Pressure Sensor](#)
- Table 9: [Air Suspension Sensor - LR](#)
- Table 10: [Air Suspension Sensor - RR](#)
- Table 11: [Electronically Controlled Air Suspension Compressor Relay](#)
- Table 12: [Air Suspension Ride Height Switch](#)

[Air Suspension Compressor \(Early Production SUV\)](#)



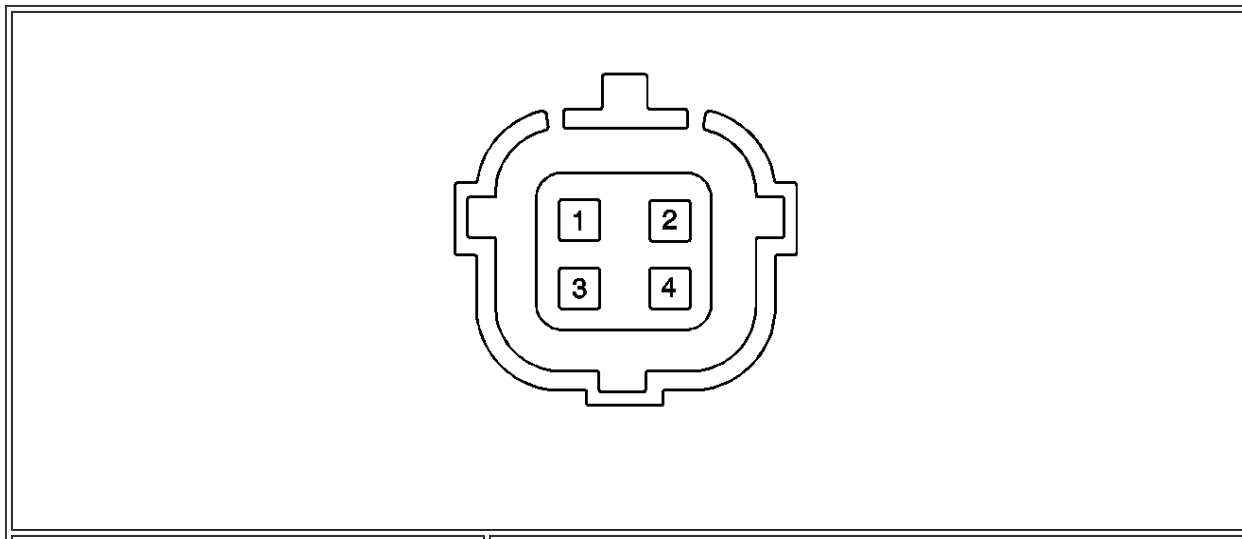
Connector Part Information		<ul style="list-style-type: none"> 12124685 3-Way F Metri-Pack 680 Series Sealed (BK) 	
Pin	Wire Color	Circuit No.	Function
A	RD	1A	Compressor Battery Positive Voltage
B	BK	2A	Ground
C	YE	3L	Over Temperature Signal

Air Suspension Compressor - 1 (Except Early Production SUV)



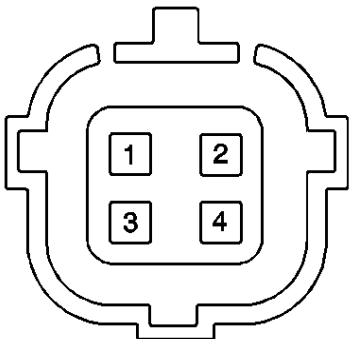
Connector Part Information		<ul style="list-style-type: none"> • 344080-1 • 4-Way F Econoseal 3 High Current (BK) 	
Pin	Wire Color	Circuit No.	Function
1	--	--	Not Used
2	YE	3L	Over Temperature Signal
3	BK	2F	Ground
4	RD	1C	Battery Positive Voltage

Air Suspension Compressor - 2 (Except Early Production SUV)

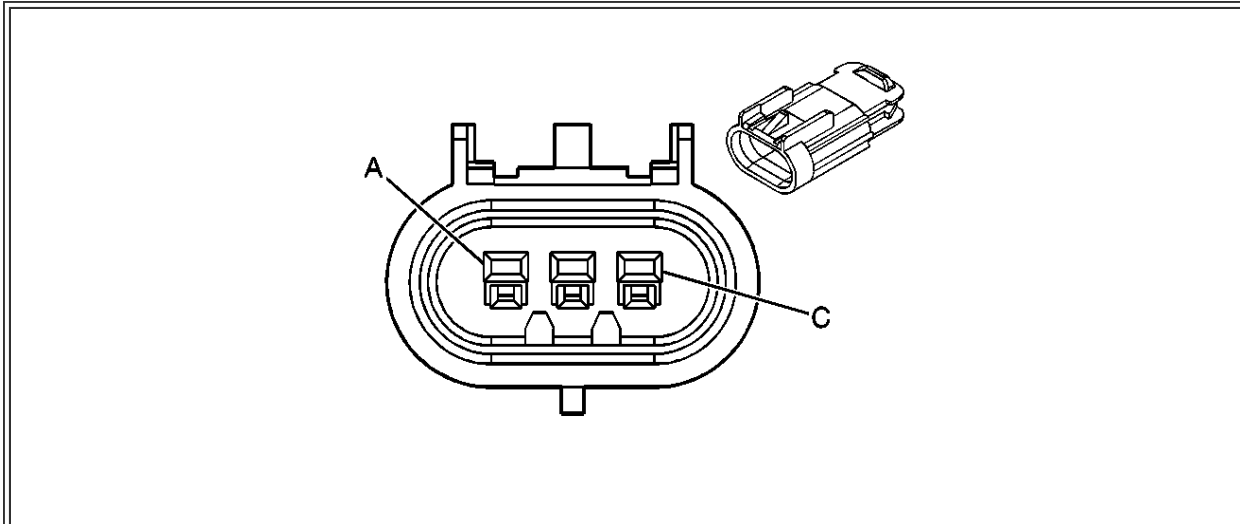


Connector Part Information		<ul style="list-style-type: none"> • 344080-1 • 4-Way F Econoseal 3 High Current (BK) 	
Pin	Wire Color	Circuit No.	Function
1	--	--	Not Used
2	YE	3W	Over Temperature Signal
3	BK	2G	Ground
4	RD	1D	Battery Positive Voltage

[Air Suspension Exhaust Valve](#)

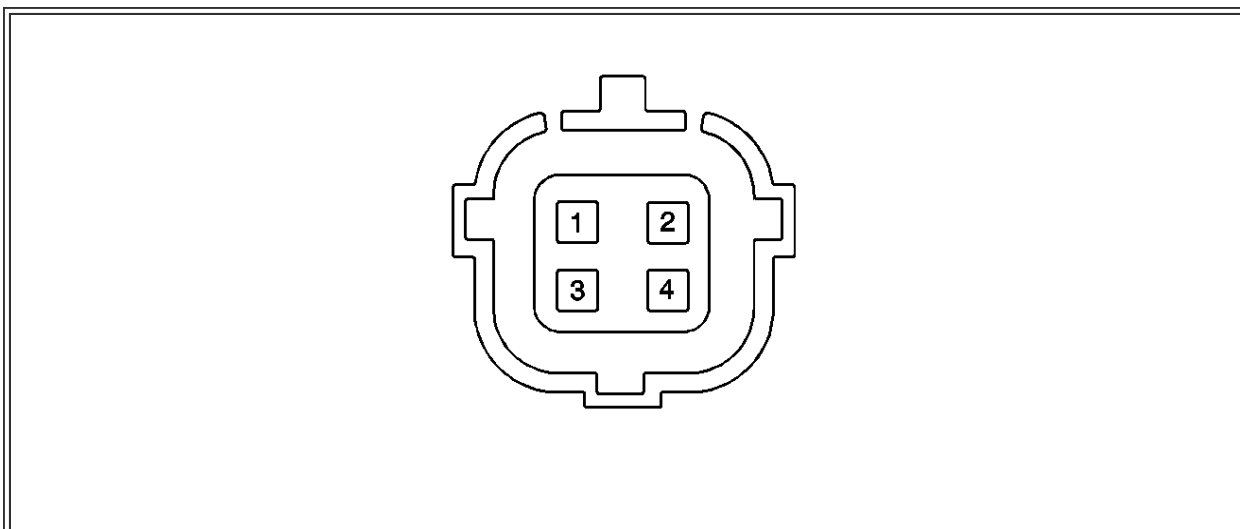
			
Connector Part Information		<ul style="list-style-type: none"> • 344270-3 • 4-Way F AMP 070 Series Sealed (BU) 	
Pin	Wire Color	Circuit No.	Function
1	--	--	Not Used
2	YE	3P	Air Suspension Exhaust Valve Control
3	YE	3U	Low Reference
4	--	--	Not Used

Air Suspension Inflator Switch



Connector Part Information		<ul style="list-style-type: none"> • 15326813 • 3-Way M 150 Series Sealed (BK) 	
Pin	Wire Color	Circuit No.	Function
A	PU	5523	Inflator Switch Signal
B	L-GN	5522	Inflator Switch Low Reference
C	OR	5524	Inflator Switch Indicator Control

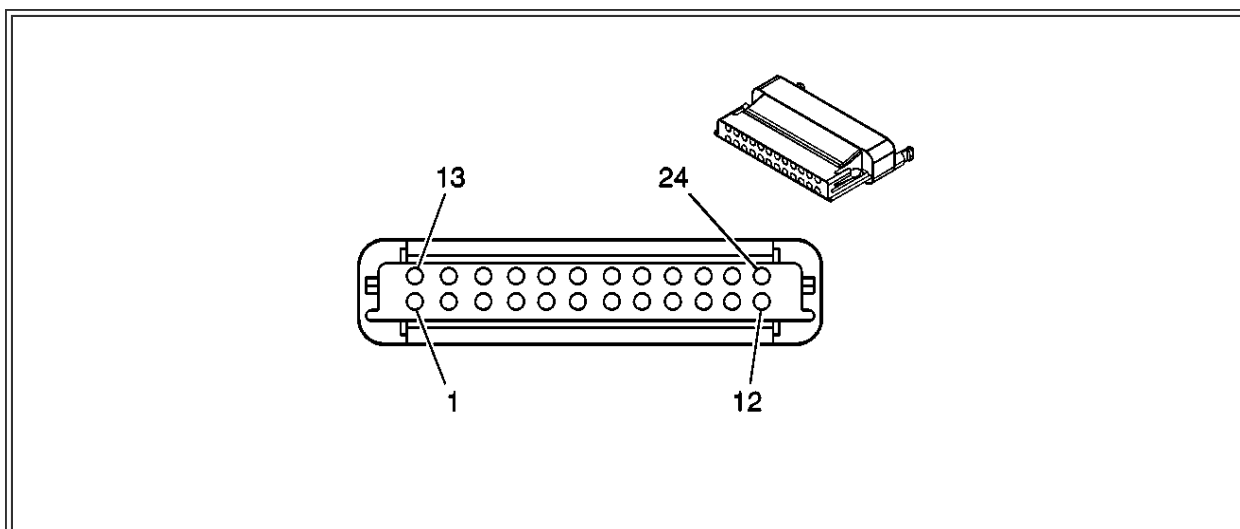
Air Suspension Inlet Valve - LR/RR



Connector Part Information		<ul style="list-style-type: none"> • 344270-1 • 4-Way F AMP 070 Series Sealed (BK) 	
-----------------------------------	--	--	--

Pin	Wire Color	Circuit No.	Function
1	YE	3S	Low Reference
2	YE	3N	Inlet Valve - LR Control
3	YE	3T	Low Reference
4	YE	3O	Inlet Valve - RR Control

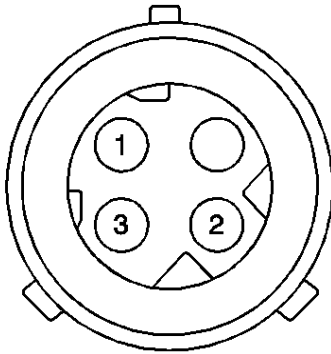
Air Suspension Module



Connector Part Information		<ul style="list-style-type: none"> • 12129225 • 24-Way F Micro-Pack 100 Series (GY) 	
Pin	Wire Color	Circuit No.	Function
1	YE	3P	Air Suspension Exhaust Valve Control
2	YE	3O	Air Suspension Inlet Valve-RR Control
3	YE	3A	5-Volt Reference
4	YE	3C	Air Suspension Sensor Signal - RR
5	YE	3B	Air Suspension Sensor Signal - LR

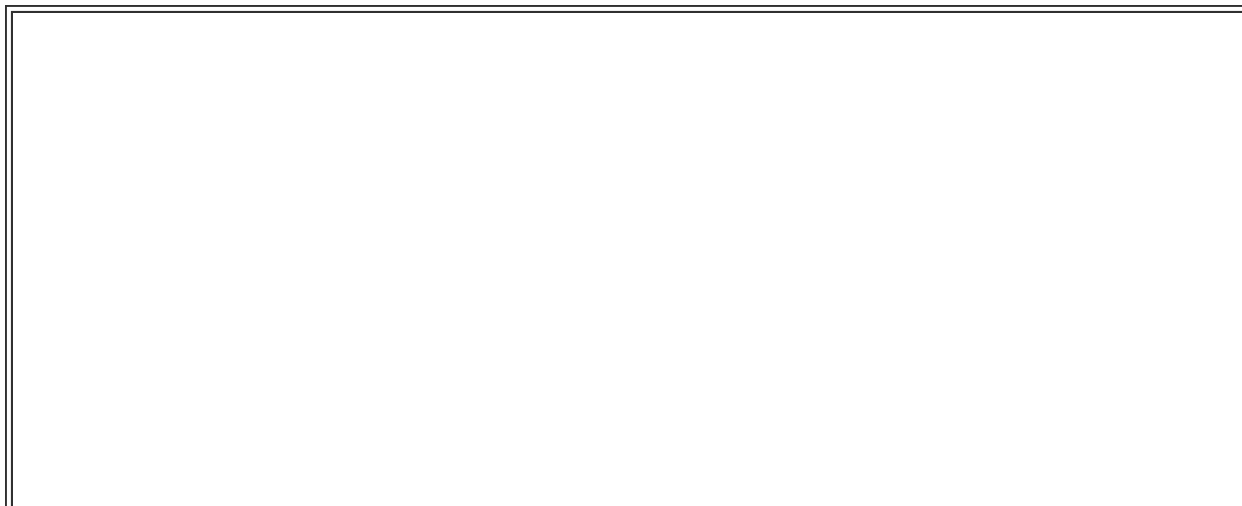
6	YE	3G	Ride Height Switch Signal
7	YE	2D	Low Reference
8	YE	2B	Ground
9	YE	3W	Overtemp Signal (Execpt Early Production SUV)
10	YE	3J	Class 2 Serial Data
11	YE	3K	Air Suspension Pressure Sensor Signal
12	YE	1B	Battery Positive Voltage
13	YE	3M	Air Suspension Relay Control
14	YE	3N	Air Suspension Inlet Valve-LR Control
15	YE	3E	Ride Height Active Indicator Control
16	YE	3D	Inflator Switch Indicator Control
17	YE	3H	Inflator Switch Signal
18	YE	3L	Overtemperature Signal
19	YE	2E	Low Reference
20	YE	2C	Inflator Switch Low Reference
21	YE	3F	Ignition 3 Voltage
22	YE	3J	Class 2 Serial Data (Except Early Production SUV)
23	YE	3R	Low Reference
24	YE	3S	Low Reference

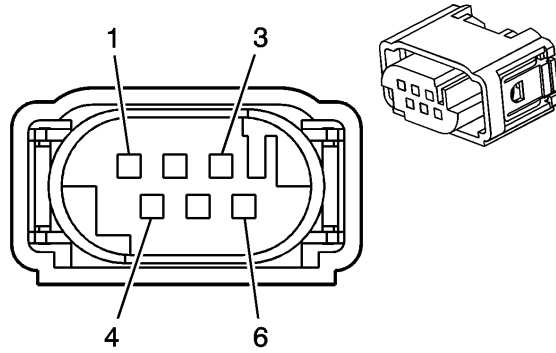
Air Suspension Pressure Sensor



Connector Part Information		<ul style="list-style-type: none"> • 9800426 • 4-Way F Schlemmer DIN Sealed (GN) 	
Pin	Wire Color	Circuit No.	Function
1	YE	3A	5-Volt Reference
2	YE	2E	Low Reference
3	YE	3K	Air Suspension Pressure Sensor Signal
4	--	--	Not Used

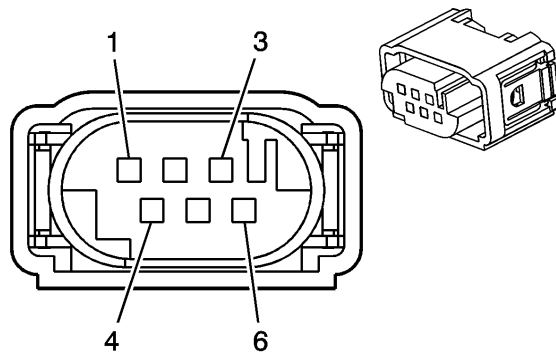
Air Suspension Sensor - LR





Connector Part Information		<ul style="list-style-type: none"> • 15355474 • 6-Way F MQS Sealed (BK) 	
Pin	Wire Color	Circuit No.	Function
1	GY	2165	5-Volt Reference
2	BN	2184	Air Suspension Sensor Signal - LR
3	PU	2185	Low Reference
4-6	--	--	Not Used

[Air Suspension Sensor - RR](#)



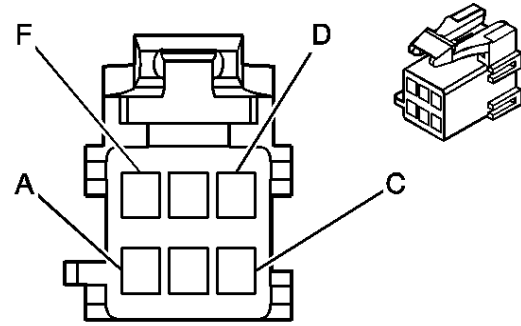
Connector Part Information		<ul style="list-style-type: none"> • 15355474 • 6-Way F MQS Sealed (BK) 	
-----------------------------------	--	---	--

Pin	Wire Color	Circuit No.	Function
1	PU	2185	Low Reference
2	BN	2227	Air Suspension Sensor Signal - RR
3	GY	2165	5-Volt Reference
4-6	--	--	Not Used

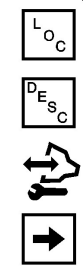
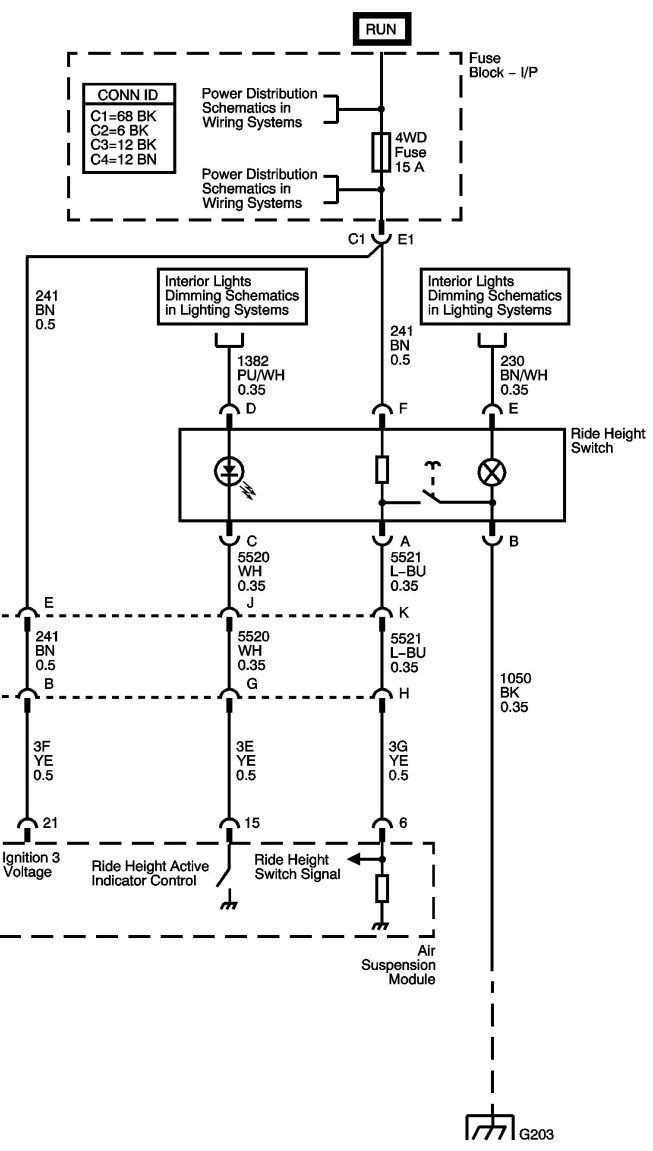
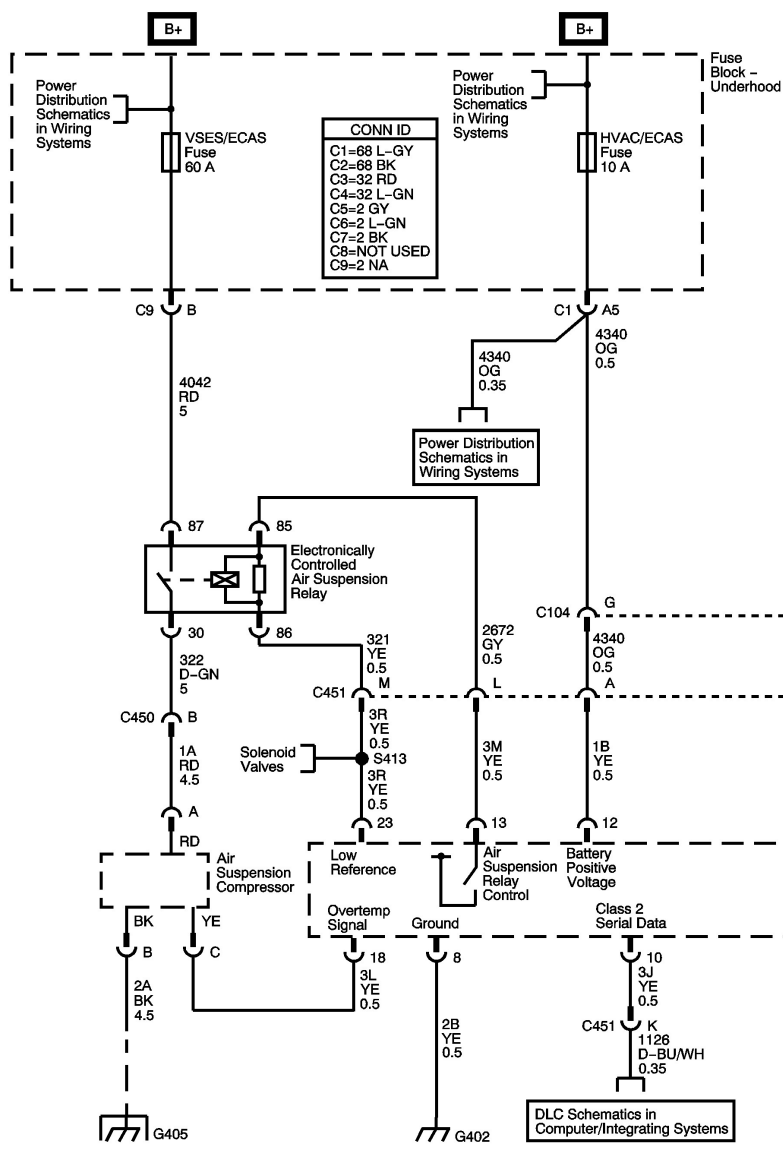
Electronically Controlled Air Suspension Compressor Relay

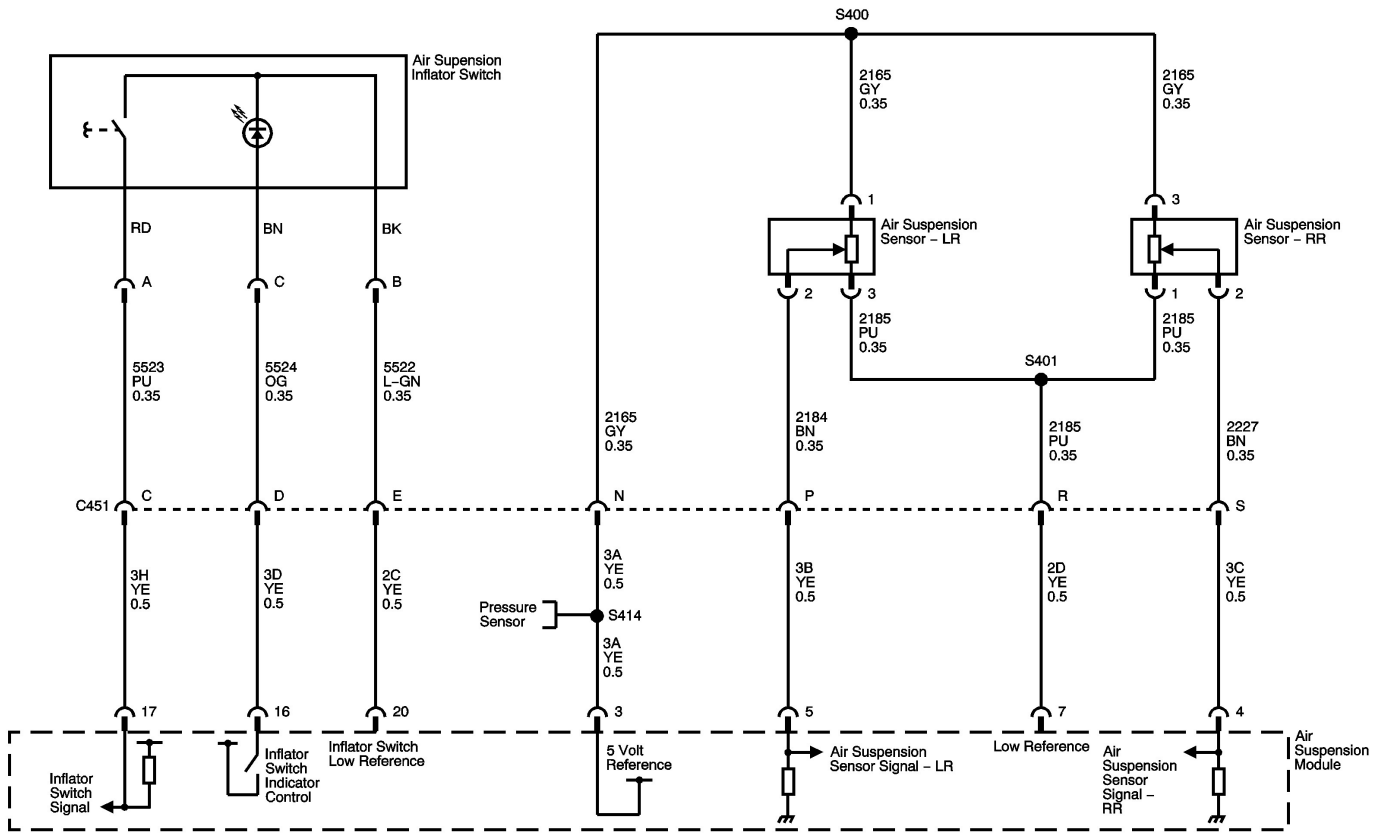
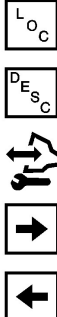
Connector Part Information	<ul style="list-style-type: none"> 15336745 4-Way F GR 280 Series Metri-Pack 800 Sealed (GY) 		
Pin	Wire Color	Circuit No.	Function
30	D-GN	322	Air Suspension Compressor Motor Control
85	GY	2672	Air Suspension Relay Control
86	YE	321	Low Reference
87	RD	4042	Air Suspension Relay Supply Voltage

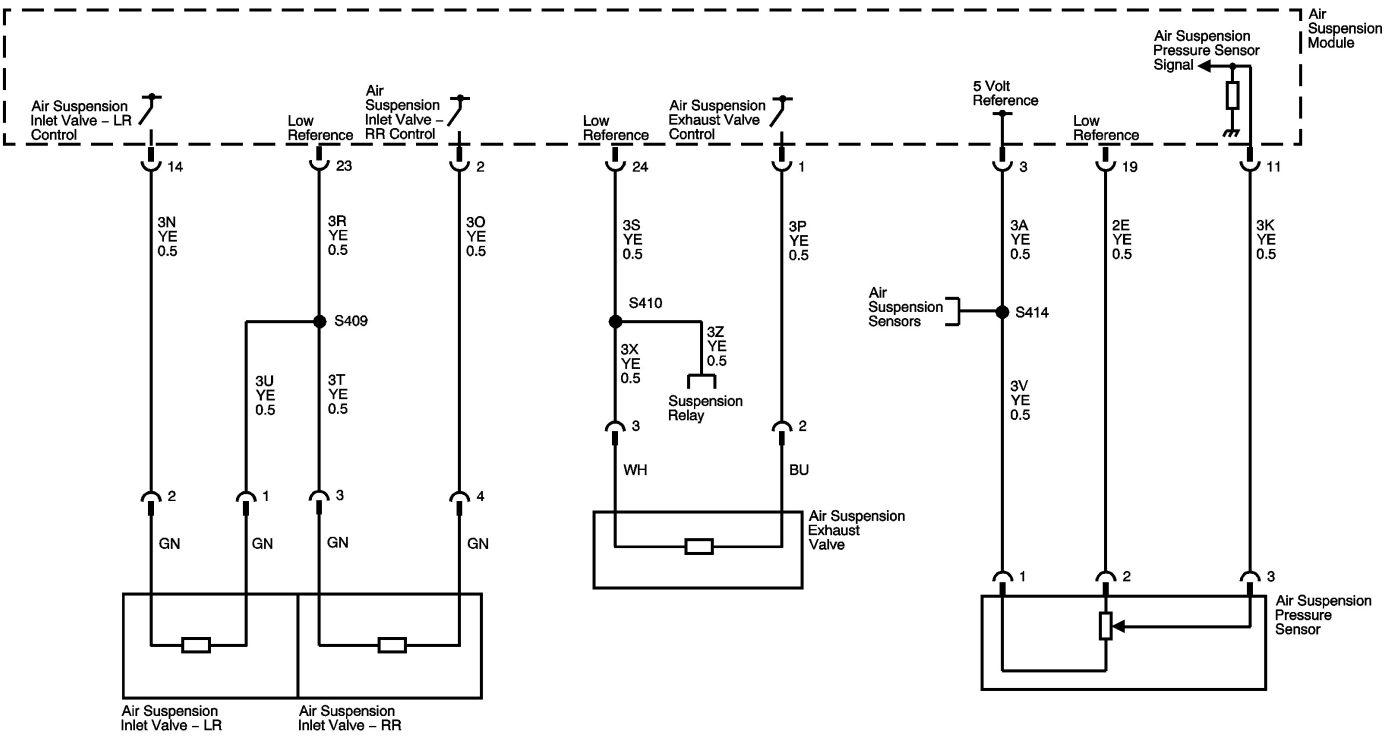
Air Suspension Ride Height Switch



Connector Part Information		<ul style="list-style-type: none"> • 12177194 • 6-Way F Metri-Pack 150 Series (WH) 	
Pin	Wire Color	Circuit No.	Function
A	L-BU	5521	Ride Height Switch Signal
B	BK	1050	Ground
C	WH	5520	Ride Height Active Indicator Control
D	PU/WH	1382	LED Dimming Signal
E	BN/WH	230	Instrument Panel Lamps Dimming Control
F	BN	241	Ignition 3 Voltage







L O C

D E S C

