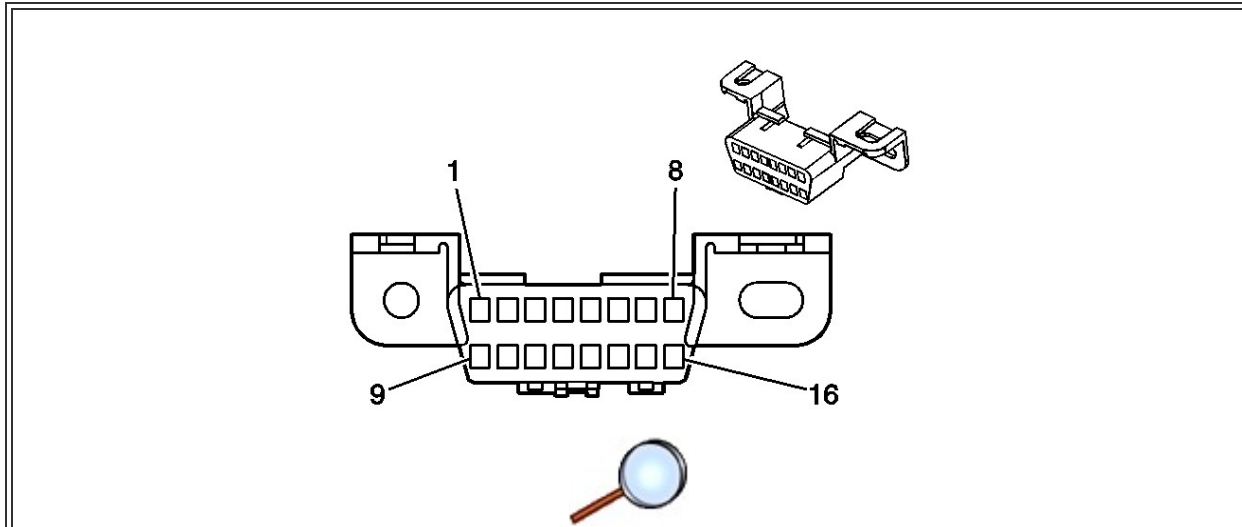


Data Link Communications Connector End Views

Data Link Connector (DLC)



Connector Part Information		<ul style="list-style-type: none"> ● 12110250 ● 16-Way F Metri-Pack 150 Series (BLK) 	
Pin	Wire Color	Circuit No.	Function
1	--	--	Not Used
2	PPL	1132	DLC Class 2 Serial Data
3	--	--	Not Used
4	BLK	1050	Ground
5	BLK/WHT	1851	Ground
6-15	--	--	Not Used
16	ORN	640	Battery Positive Voltage

