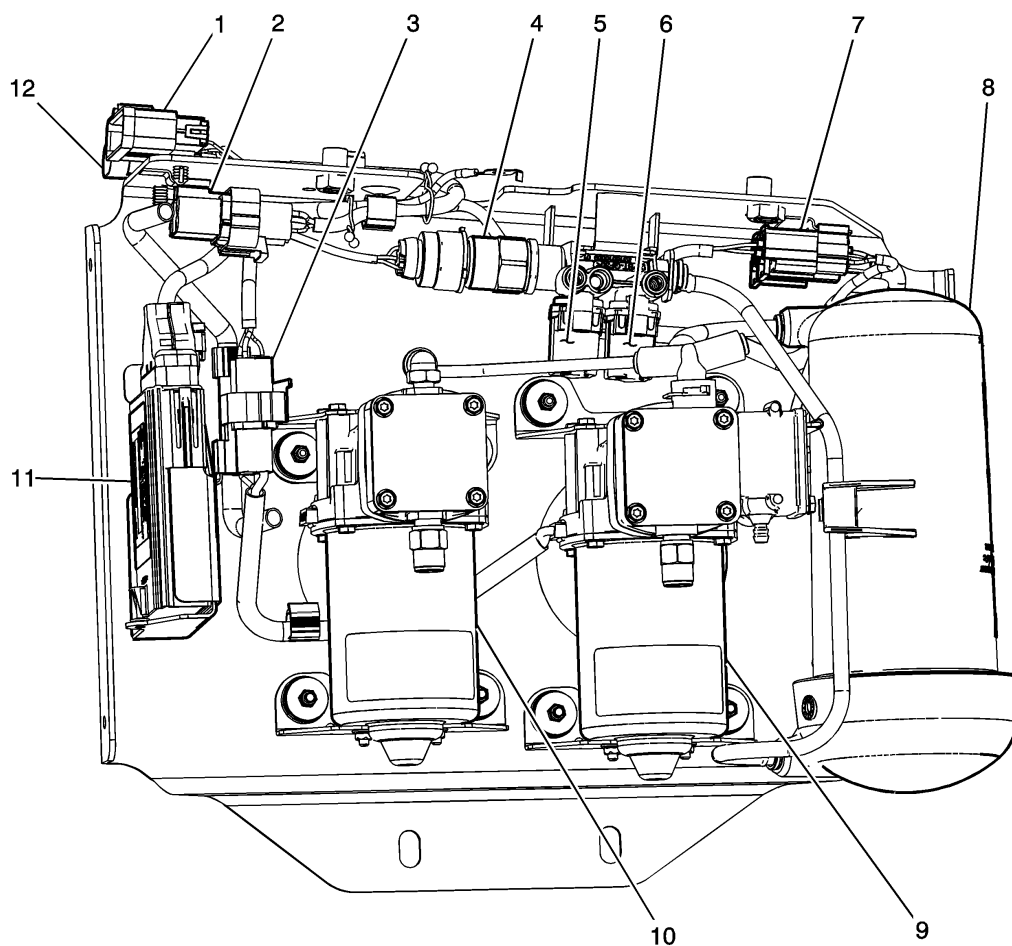


&lt;- Back

Forward -&gt;

**Document ID# 1409343**  
**2005 HUMMER H2**

Print

**FIGURE Rear Underbody (Except Early Production SUV)(c)**

- (1) C451
- (2) Air Suspension Compressor 1 Connector
- (3) Air Suspension Compressor 2 Connector
- (4) Air Suspension Pressure Sensor
- (5) Air Suspension Inlet Valve-LR
- (6) Air Suspension Inlet Valve-RR
- (7) Air Suspension Exhaust Valve Connector
- (8) Air Suspension Air Dryer
- (9) Air Suspension Compressor 1
- (10) Air Suspension Compressor 2
- (11) Air Suspension Module
- (12) C450

<- Back

Forward ->

**Document ID# 1409343**  
**2005 HUMMER H2**

Print