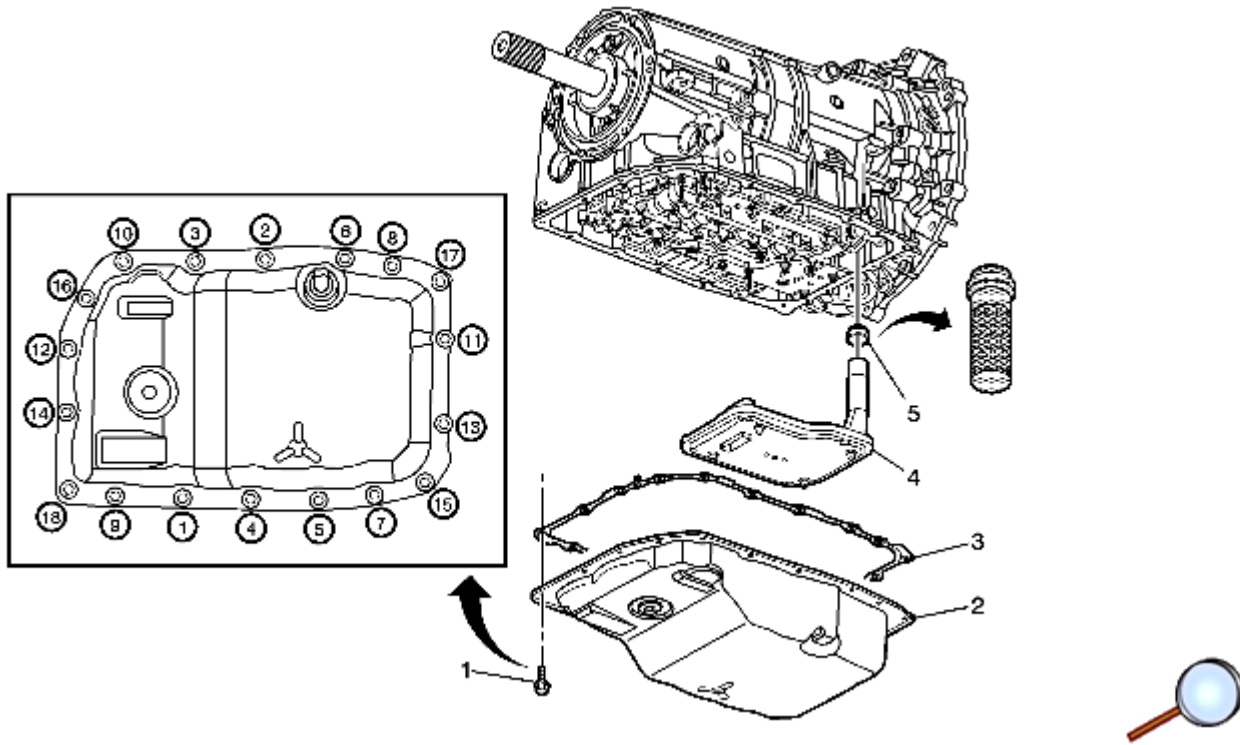


# Automatic Transmission Fluid, Fluid Pan and/or Filter Replacement



## Automatic Transmission Fluid, Fluid Pan and/or Filter Replacement

Callout	Component Name
<p><b>Caution:</b> Use Dexron® VI transmission fluid only. Failure to use the proper fluid may result in transmission internal damage.</p> <p><b>Preliminary Procedures</b></p> <ol style="list-style-type: none"> <li>1. Raise and support the vehicle. Refer to <a href="#">Lifting and Jacking the Vehicle</a>.</li> <li>2. Remove the catalytic converter. Refer to <a href="#">Catalytic Converter Replacement</a>.</li> <li>3. Place a suitable drain pan under the transmission.</li> </ol>	
1	<p>Transmission Fluid Pan Bolt (Qty: 18)</p> <p><b>Caution:</b> Refer to <a href="#">Fastener Caution</a>.</p> <p><b>Tip:</b> Tighten the bolts in the sequence shown.</p> <p><b>Tighten</b> 9N•m (80 lb in)</p>
2	<p>Transmission Fluid Pan Assembly</p> <p><b>Procedure</b></p> <ol style="list-style-type: none"> <li>1. Check the condition of the draining fluid. Refer to <a href="#">Transmission Fluid Level and Condition Check</a>.</li> </ol>

Callout	Component Name
	2. Fill the transmission with the proper fluid. Refer to <a href="#">Transmission General Specifications</a> . 3. Fill the transmission with the proper amount of transmission fluid. Refer to <a href="#">Fluid Capacity Specifications</a> and <a href="#">Transmission Fluid Level and Condition Check</a> .
3	Transmission Fluid Pan Gasket <b>Tip:</b> The fluid pan gasket is reusable. Inspect the gasket to determine if it may be reused.
4	NEW Fluid Filter Assembly <b>Tip:</b> Pull the fluid filter assembly straight out. Do not bend or twist the filter neck.
5	NEW Fluid Filter Seal Assembly <b>Caution:</b> Do not damage the case sealing surface when removing the filter seal assembly. <b>Procedure</b> <ol style="list-style-type: none"> <li>1. Use a screwdriver or snap ring pliers to remove the filter seal.</li> <li>2. Use the <a href="#">DT 47848</a> and the <a href="#">J 42183</a> to install the filter seal.</li> <li>3. Lubricate the filter seal with transmission fluid before installing the filter.</li> </ol> <b>Special Tools</b> <ul style="list-style-type: none"> <li>• <a href="#">DT 47848</a> Seal Installer</li> <li>• <a href="#">J 42183</a> Driver Handle</li> </ul>