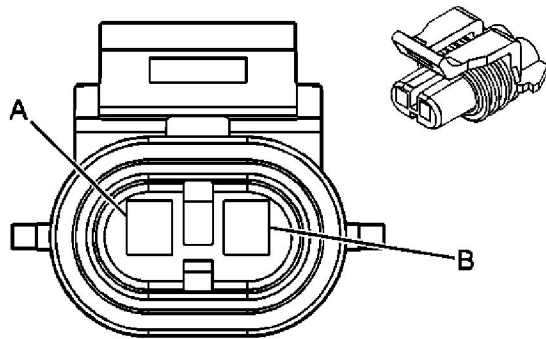


Mirror Connector End Views

Connector 1: [Ambient Air Temperature Sensor - Mirror](#)

Connector 2: [Inside Rearview Mirror \(ISRVM\)](#)

Ambient Air Temperature Sensor - Mirror



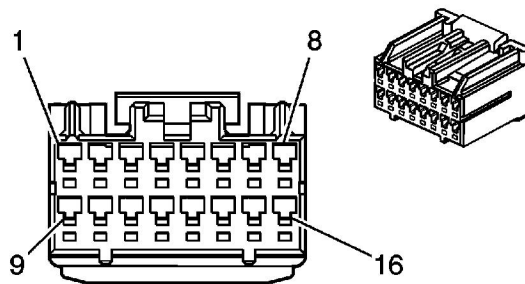
Connector Part Information

- | OEM: 12052642
- | Service: 12101856
- | Description: 2-Way F Metri-Pack 150 Series Sealed (L-GN)

Ambient Air Temperature Sensor - Mirror

Pin	Wire Color	Circuit No.	Function
A	D-GN/WH	636	Ambient Air Temperature Sensor Signal
B	BK/WH	1704	Low Reference

Inside Rearview Mirror (ISRVM)



© 2021 General Motors Corporation. All rights reserved.

Connector Part Information

- | OEM: 15324871
- | Service: See Catalog
- | Description: 16-Way F AMP (BK)

Inside Rearview Mirror (ISRVM)

Pin	Wire Color	Circuit No.	Function
1	OG	VP	Video +
2	BU	VN	Video - (UVC)
3	GN	DI	Drain (UVC)
4	RD	CPWR	Ignition 3 Voltage (UVC)
5	GY	1690	Automatic Day/Night Mirror Signal (UVC)
6	D-GN/WH	636	Ambient Air Temperature Sensor Signal
7	BK/WH	1704	Low Reference
8	BK	1050	Ground
9	L-GN	24	Backup Lamp Supply Voltage
10	BK	CGND	Ground (UVC)
11-12	--	--	Not Used
13	BN	341	Ignition 3 Voltage
14-15	--	--	Not Used
16	PK	1691	Automatic Day/Night Mirror Low Reference