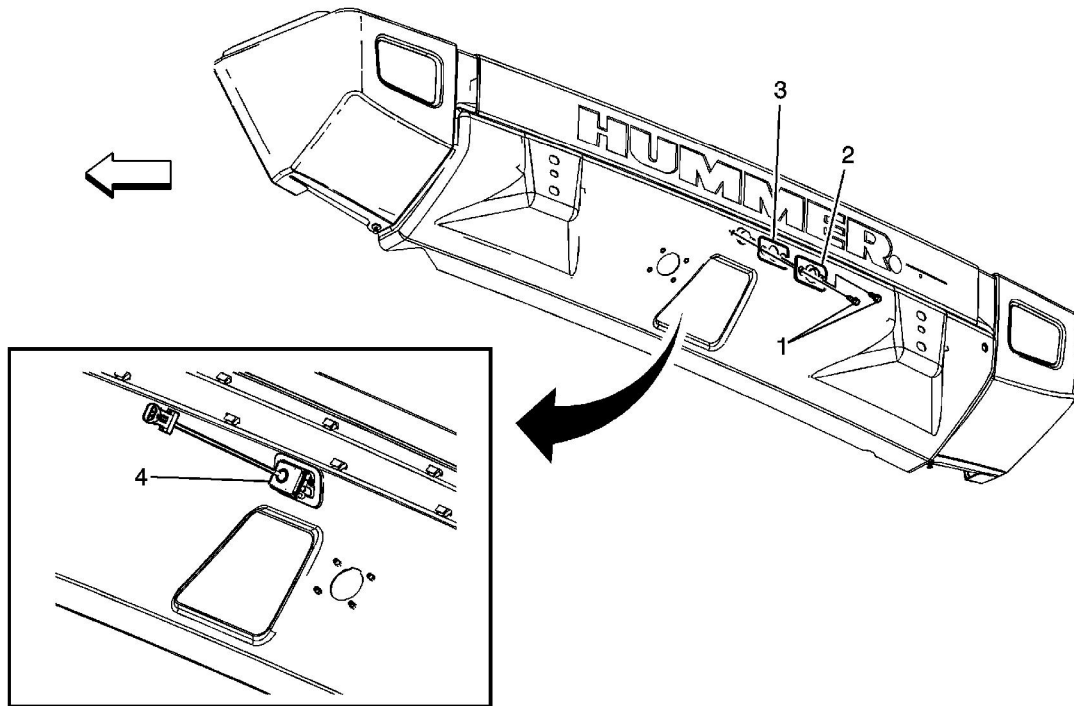


Rearview Camera Replacement



Callout	Component Name
Preliminary Procedure	
Remove the rear bumper. Refer to Rear Bumper Replacement .	
1	Rear View Camera Screw (Qty: 2) Notice: Refer to Fastener Notice in the Preface section. Tighten 1.5 N·m (13 lb in)
2	Rear View Camera Bracket
3	Rear View Camera Bracket Seal
4	Rear View Camera Assembly