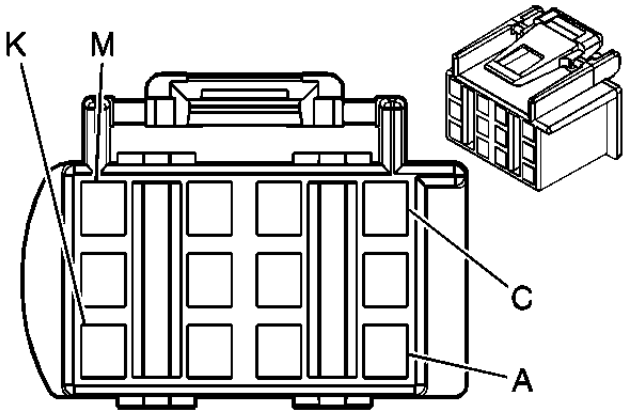
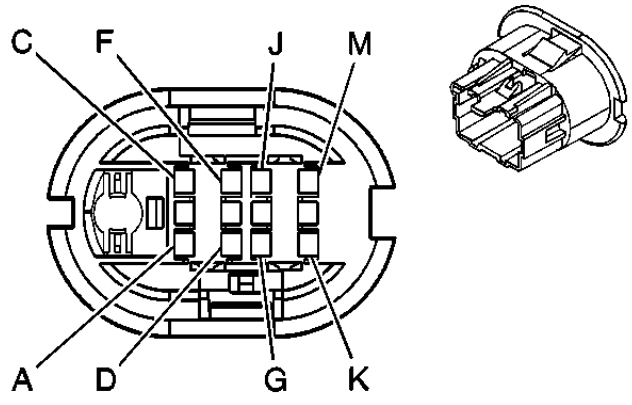


	D-BU	46	Right Rear Speaker Output (+)				
M	BK	1250	Ground	M	BK	1250	Ground
N	TN	294	Door Lock Actuator Unlock Control	N	TN	294	Door Lock Actuator Unlock Control
P	GY	295	Door Lock Actuator Lock Control	P	GY	295	Door Lock Actuator Lock Control
R-T	-	-	Not Used	R-T	-	-	Not Used

C420 Terminal Identification Body Harness to Lift Gate Jumper Harness

							
Connector Part Information		<ul style="list-style-type: none"> • 15355586 • 12-Way F GT 280 (MD GY) 		Connector Part Information		<ul style="list-style-type: none"> • 15326018 • 12-Way M GT 280 (MD GY) 	
Pin	Wire Color	Circuit No.	Function	Pin	Wire Color	Circuit No.	Function
A	PK/BK	1303	Liftgate Ajar Switch Signal	A	PK/BK	1303	Liftgate Ajar Switch Signal
B	BK	1450	Ground	B	BK	1450	Ground
C	L-BU	1620	Trailer CHMSL Supply Voltage	C	L-BU	1620	Trailer CHMSL Supply Voltage
D	BN	2409	Interior Park Lamps Supply Voltage	D	BN	2409	Interior Park Lamps Supply Voltage
E	GY	295	Door Lock Actuator Lock Control	E	GY	295	Door Lock Actuator Lock Control
F	TN	294	Door Lock Actuator Unlock Control	F	TN	294	Door Lock Actuator Uncl Control
G	BN	2509	Left License Lamp Supply Voltage	G	BN/WH	2509	Left License Lamp Supply Voltage

H	BN/WH	2609	Right License Lamp Supply Voltage	H	BN/WH	2609	Right License Lamp Supply Voltage
J	WH	393	Rear Window Washer Switch Signal	J	WH	393	Rear Window Washer Switch Signal
K	GY	391	Rear Window Wiper Switch Signal	K	GY	391	Rear Window Wiper Switch Signal
L	PU	293	Rear Defog Element Supply Voltage	L	PU	293	Rear Defog Element Supply Voltage
M	OG	2040	Battery Positive Voltage	M	OG	2040	Battery Positive Voltage

C450 Terminal Identification Chassis Harness to Air Suspension Harness (w/ZM6)

Connector Part Information		<ul style="list-style-type: none"> • 12052613 • 2-Way F Metri-pack 480 Series Sealed (BK) 		Connector Part Information		<ul style="list-style-type: none"> • 12065863 • 2-Way M Metri-pack 480 Series Sealed (BK) 	
Pin	Wire Color	Circuit No.	Function	Pin	Wire Color	Circuit No.	Function
A	BK	2950	Ground - w/ZM6	A	BK	2A	Ground - w/ZM6
B	D-GN	322	Air Suspension Compressor Motor Control - w/ZM6	B	RD	1A	Air Suspension Compressor Motor Control - w/ZM6

C451 Chassis Harness to Air Suspension Harness (w/ZM6)

--	--	--	--	--	--	--	--

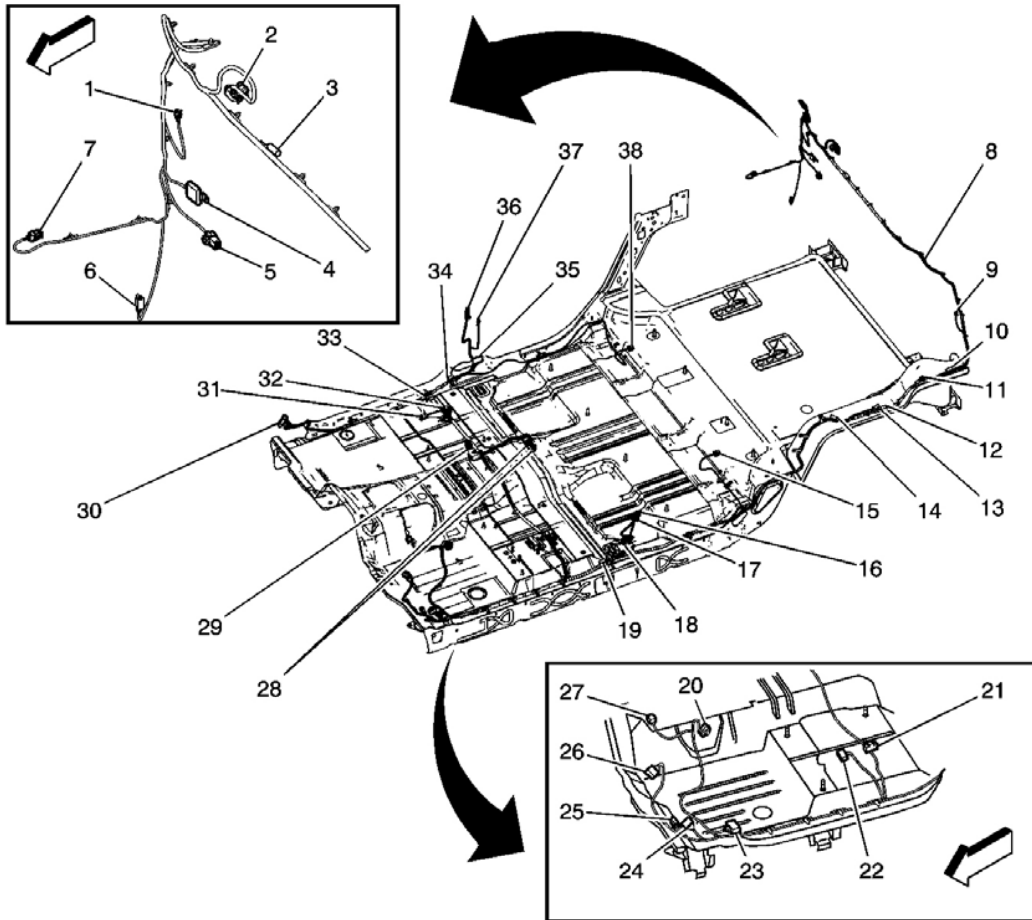


Fig. 70: Body Harness Routing Component Views
 Courtesy of GENERAL MOTORS CORP.

Callouts For Fig. 70

Callout	Component Name
1	Speaker Right D Pillar Twiddler Connector
2	C420
3	S480
4	Splice Pack SP410
5	Door Lock Switch Rear Cargo Connector
6	Accessory Power Outlet - Rear Connector
7	Marker Lamp-RR Connector
8	Clearance Lamp - RR Connector
9	Speaker - Left D Pillar Twiddler Connector
10	S411

11	Marker Lamp - LR Connector
12	S412
13	C312 (C69)
14	S307 (C69)
15	C320 (ZM6)
16	G302
17	C310
18	Courtesy Lamp Right B Pillar Connector
19	S390
20	Fuse Block - I/P C4
21	C325 (ZM6)
22	Inflatable Restraint Sensing and Diagnostic Module Connector
23	Splice Pack SP207
24	C200
25	C201
26	Relay Block - I/P C10
27	Body Control Module (BCM) - C6
28	Audio Amplifier Connectors
29	C355
30	C298
31	G304
32	C375
33	Liftgate Door Lock Relay
34	S310
35	Courtesy Lamp Left B Pillar Connector
36	C390
37	G306
38	C380

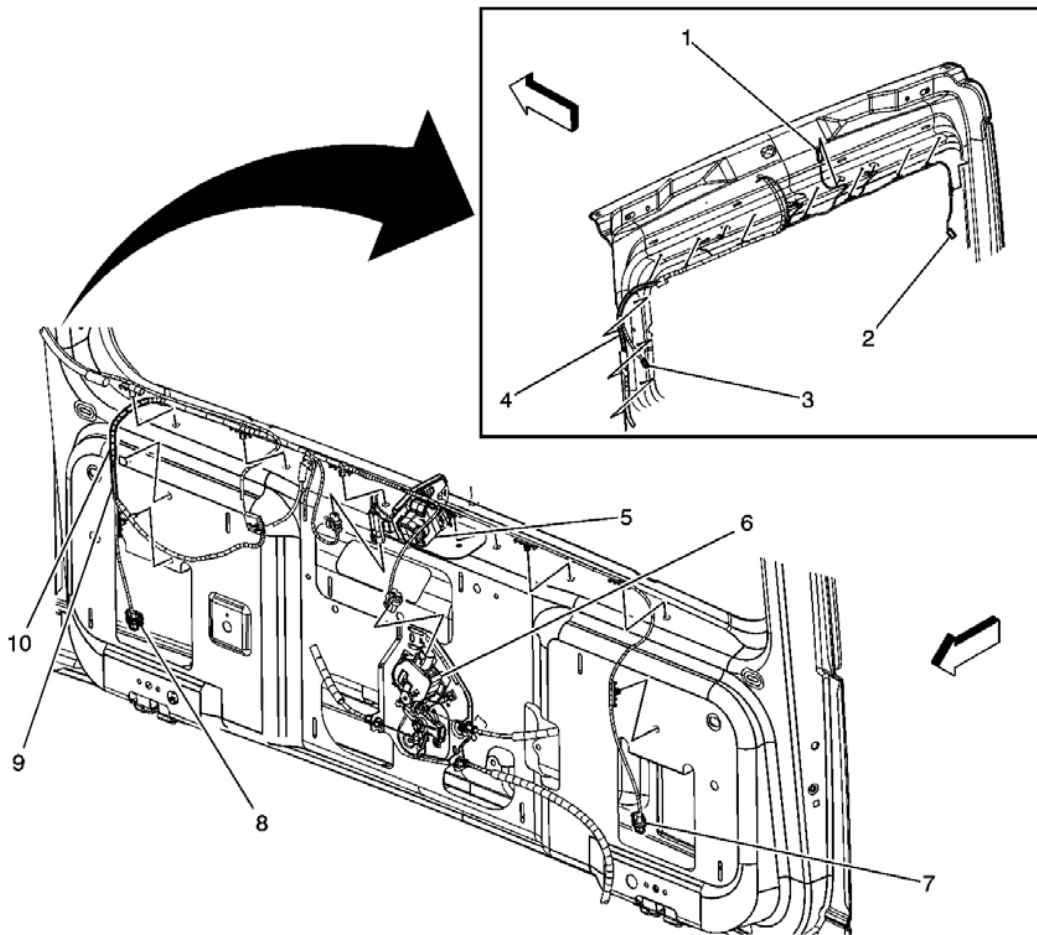


Fig. 109: Splices S900, S901 and S902 Component Views
 Courtesy of GENERAL MOTORS CORP.

Callouts For Fig. 109

Callout	Component Name
1	Center High Mounted Stop Lamp (CHMSL) Connector
2	Rear Window Defogger Grid Connector
3	Rear Window Defogger Grid Connector
4	Splice S900
5	Rear Window Wiper Module - w/Motor
6	Door Lock Actuator - Liftgate Door Lock Actuator - Lift Gate
7	Liftgate Ajar Switch - Left Lift Gate Ajar Switch - Left
8	Liftgate Ajar Switch - Right Lift Gate Ajar Switch - Right
9	Splice S902
10	Splice S901

7	Noise Cancellation Microphone Connector
8	Vanity Mirror - Right Connector
9	Courtesy Reading Lamp - Center
10	Courtesy Reading Lamp - Rear
11	S300
12	Ambient Air Temperature Sensor Connector
13	Cellular Telephone Microphone Connector
14	S305
15	S301
16	S302 (CF5)
17	Sunroof Relay
18	Relay Block - I/P C4
19	Relay Block - I/P C3
20	C210

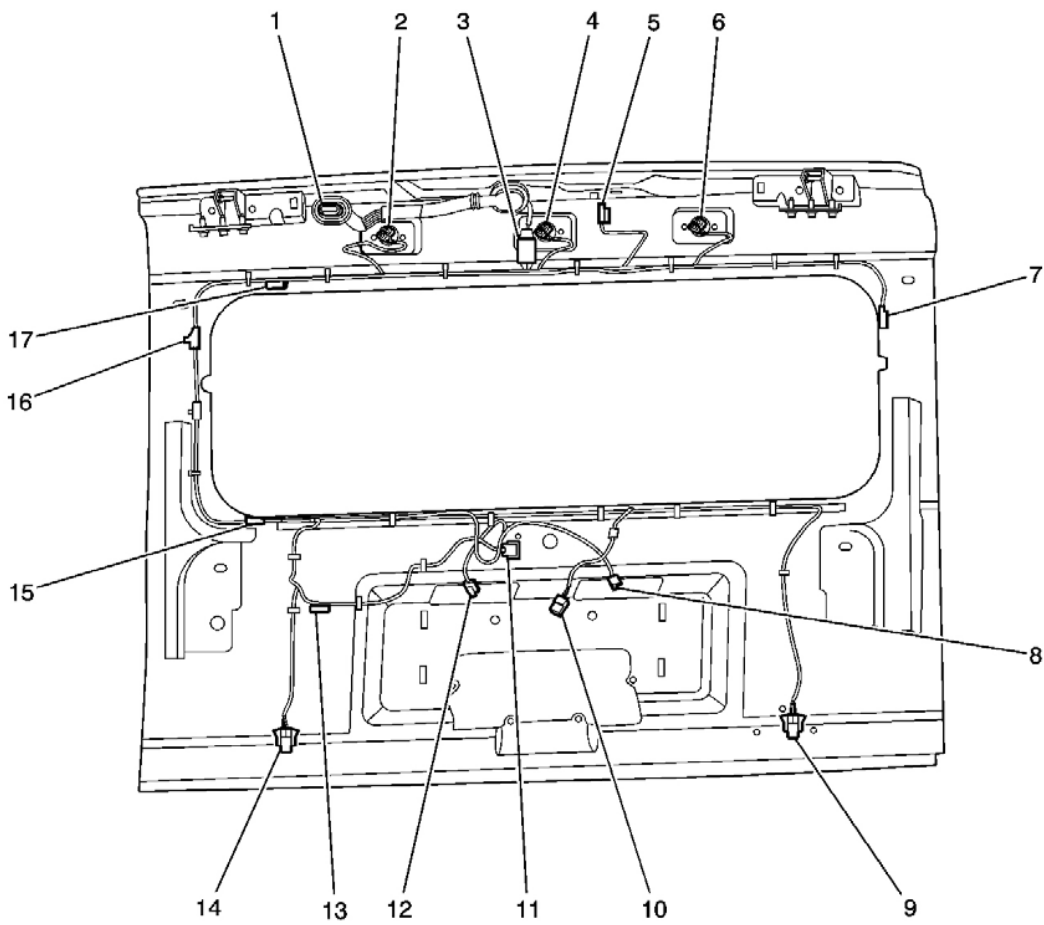


Fig. 74: Liftgate Harness Routing Component Views
Courtesy of GENERAL MOTORS CORP.

Callouts For Fig. 74

Callout	Component Name
1	C420
2	Roof Lamp - Right Rear Connector
3	C900
4	Roof Lamp - Center Connector
5	CHMSL
6	Roof Lamp - Left Rear Connector
7	Rear Window Defogger Grid - Left Connector
8	License Lamp Connector
9	Liftgate Ajar Switch - Left Connector
10	Door Lock Actuator - Liftgate Connector
11	Rear Window Wiper Motor Connector
12	License Lamp Connector
13	S902
14	Liftgate Ajar Switch - Right Connector
15	S901
16	Defogger Grid - Right Connector
17	S900