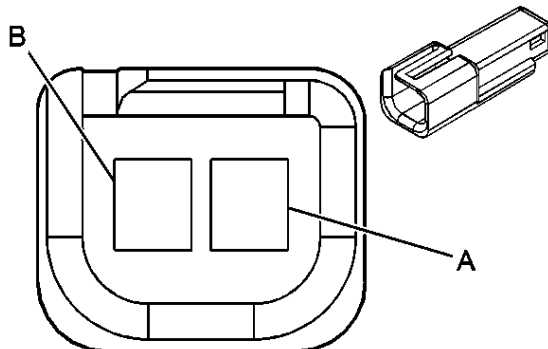


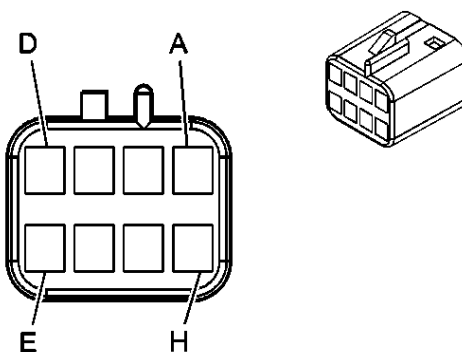
Cellular Communication Connector End Views

Cellular Microphone

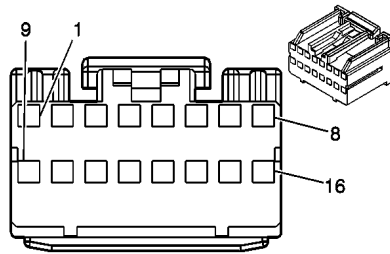


Connector Part Information		<ul style="list-style-type: none"> • 12047663 • 2-Way M Metri-Pack 150 Series (BLK) 	
Pin	Wire Color	Circuit No.	Function
A	BARE	514	Ground
B	GRY	655	Cellular Microphone Signal

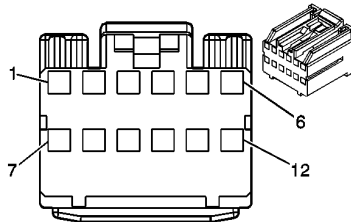
OnStar Button Assembly



Connector Part Information		<ul style="list-style-type: none"> • 12047886 • 8-Way F Metri-Pack 150 Series (BLK) 	
Pin	Wire Color	Circuit No.	Function
A	LT GRN/BLK	2515	Keypad Supply Voltage
B	DK GRN/WHT	2514	Keypad Signal
C-D	--	--	Not Used
E	ORN/BLK	2518	Keypad Ground
F	YEL/BLK	2516	Keypad Green LED Signal
G	BRN/WHT	2517	Keypad Red LED Signal
H	--	--	



Connector Part Information		<ul style="list-style-type: none"> • 15383038 • 16-Way F 040II (WHT) 	
Pin	Wire Color	Circuit No.	Function
1	--	--	Not Used
2	BRN/WHT	2517	Keypad Red LED Signal
3	YEL/BLK	2516	Keypad Green LED Signal
4	--	--	Not Used
5	ORN/BLK	2518	Keypad Ground
6	LT GRN/BLK	2515	Keypad Supply Voltage
7	BLK/WHT	1851	Ground
8	BLK/WHT	1851	Ground
9-10	--	--	Not Used
11	DK GRN/WHT	2514	Keypad Signal
12-14	--	--	Not Used
15	ORN	3240	Battery Positive Voltage
16	ORN	3240	Battery Positive Voltage



Connector Part Information		<ul style="list-style-type: none"> • 15383039 • 12-Way F 040II (WHT) 	
Pin	Wire Color	Circuit No.	Function
1	PNK/BLK	2062	Cellular Telephone Voice Signal
2	ORN/BLK	2061	Cellular Telephone Low Reference
3-4	--	--	Not Used
5	YEL	1127	Nav Class 2 Serial Data
6-7	--	--	Not Used
8	BARE	1792	Drain Wire
9	GRY	655	Cellular Microphone Signal
10	BARE	514	Ground
11-12	--	--	Not Used